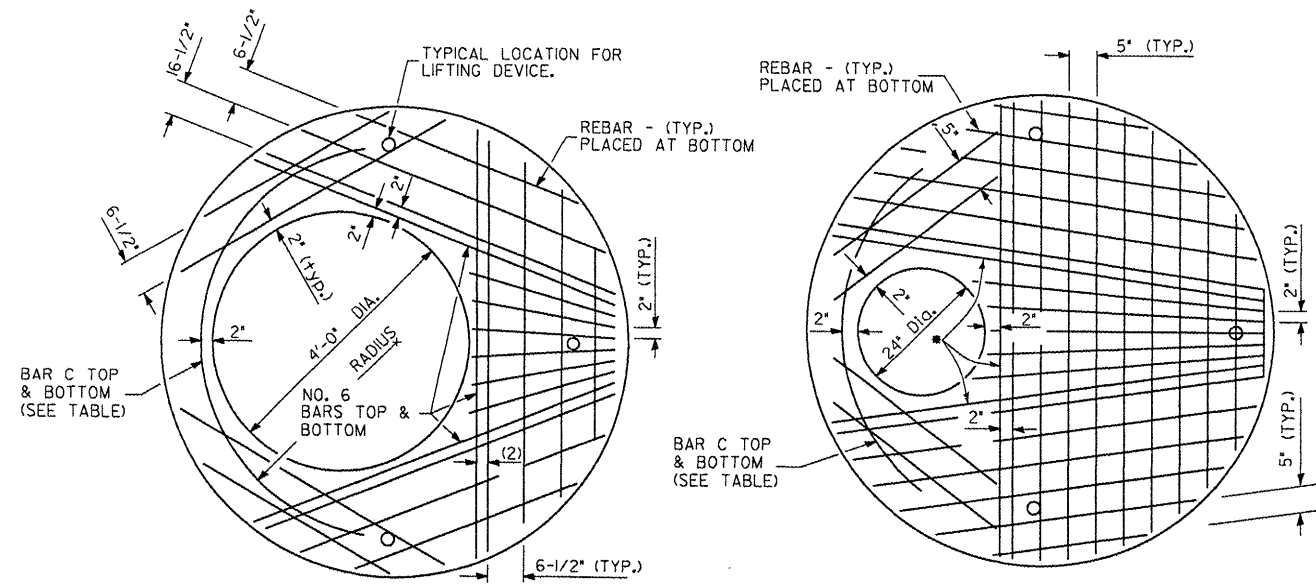


PE086

REVISIONS

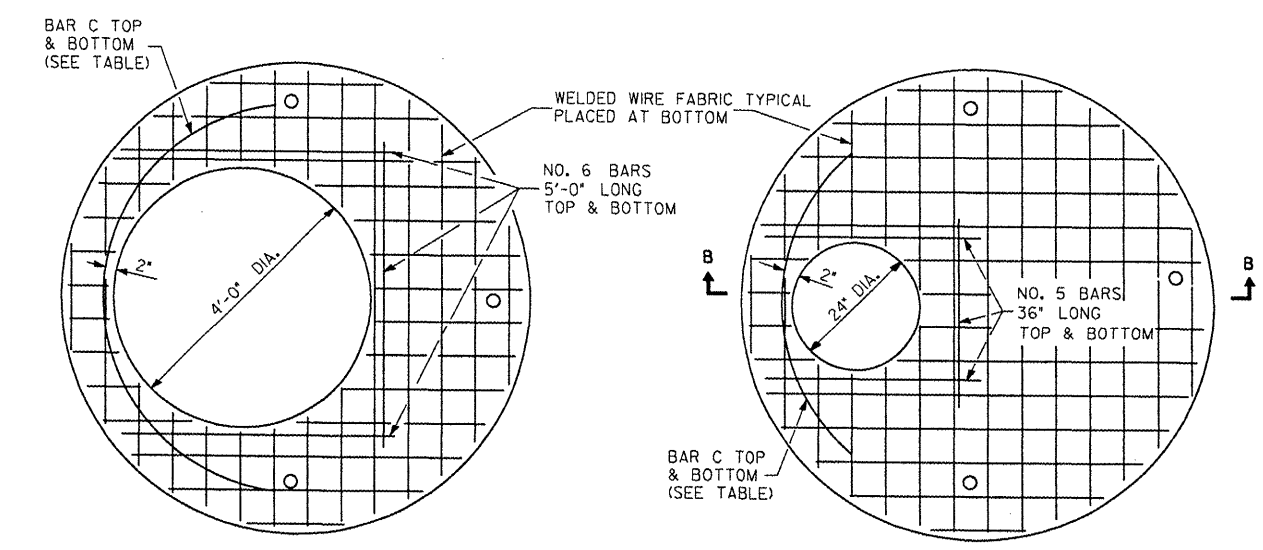
NUMBER	BY	DATE

0 1 2
THIS BAR IS EQUAL TO 2" AT FULL SCALE (34X22).
PLOT 1

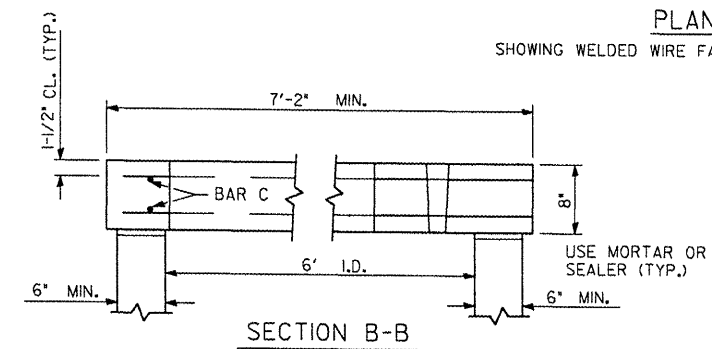


PLAN
SHOWING REBAR REINFORCEMENT
• (NO. 6) BARS TOP & BOTTOM

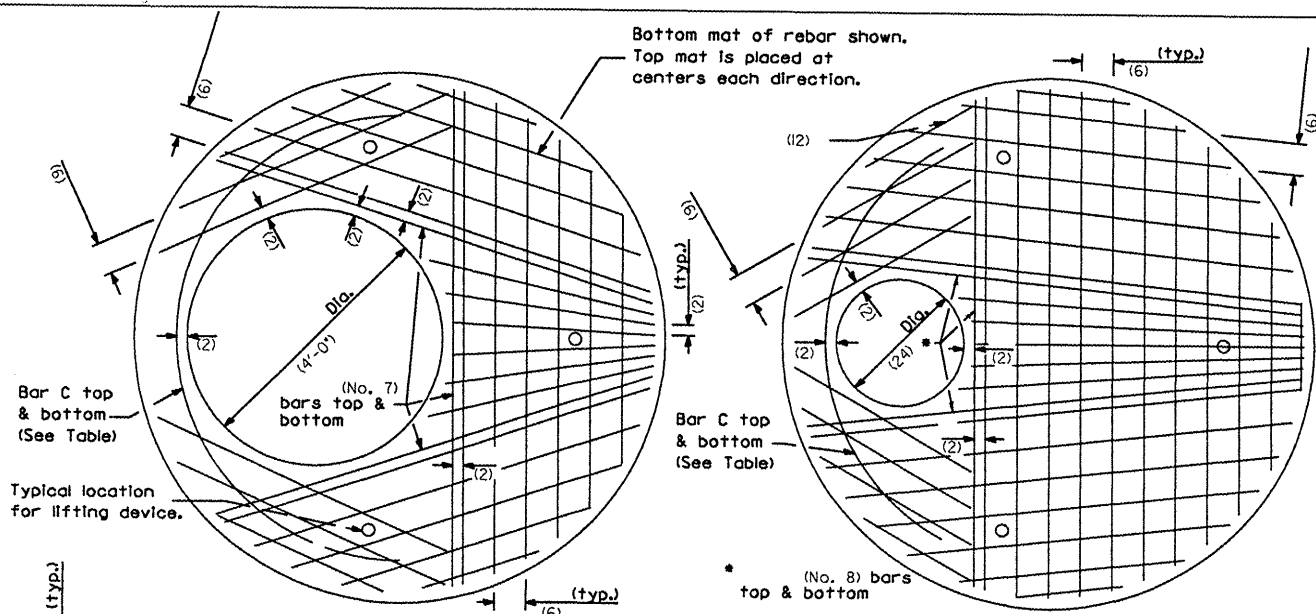
DIAMETER OF OPENING	THICKNESS	REINFORCEMENT "As" WWF EACH DIRECTION	BAR SIZE	NO. 13 (NO. 4) BAR C	
				LENGTH	RADIUS
24"	8"	1.06" SQ. IN./FT.	NO. 6	6'-0"	38"
4'-0"	8"	0.82" SQ. IN./FT.	NO. 6	9'-0"	38"



PLAN
SHOWING WELDED WIRE FABRIC REINFORCEMENT



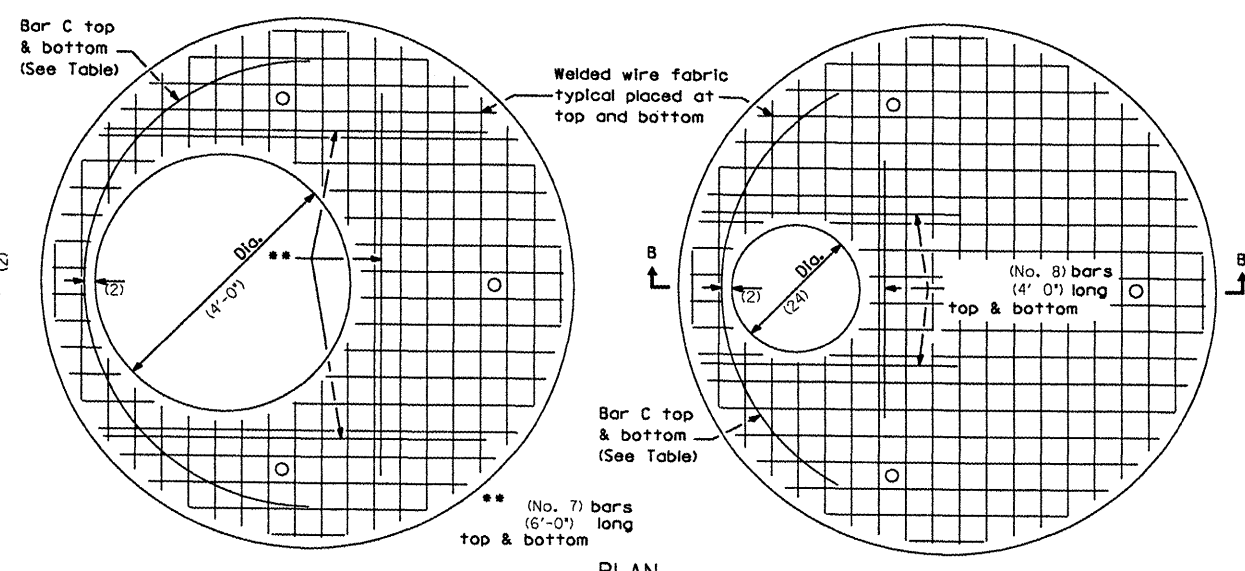
SECTION B-B



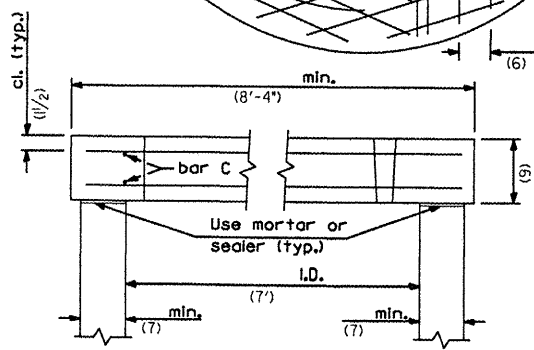
PLAN
Showing Rebar Reinforcement
• (No. 8) bars top & bottom

Diameter of opening	Reinforcement Bar Size	Reinforcement "As" WWF each direction	No. 13 (No. 4) Bar C	
			Length	Radius
(24)	Bottom mat (No. 8)	Bottom mat (1.57) sq. in./ft.	(7'-6")	(3'-6")
	Top mat (No. 4)	Top mat (0.20) sq. in./ft.		
(4'-0")	Bottom mat (No. 7)	Bottom mat (1.20) sq. in./ft.	(11'-0")	(3'-6")
	Top mat (No. 4)	Top mat (0.20) sq. in./ft.		

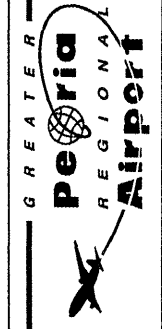
A maximum of two layers of welded wire fabric may be used to satisfy the required "As" for each mat.



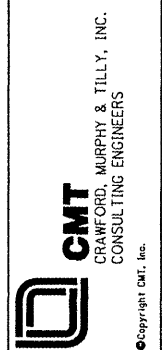
PLAN
Showing Welded Wire Fabric Reinforcement



SECTION B-B
(Typical of each top)



CONSTRUCT NEW PERIMETER ROAD AND PERIMETER FENCE - PROJECT 1



IL PROJECT: PIA-3343
AIP PROJ. 3-17-0080-XX

FILE:	\$FILES
DESIGN BY:	CET
DRAWN BY:	CMT
CHECKED BY:	XXX
APPROVED BY:	XXX
DATE:	10-26-2007
JOB No:	0708104

DRAINAGE DETAILS
SHEET 5 OF 6

MANHOLE TYPE A
(6' & 7') DIAMETER
(SHEET 2 OF 2)

K:\Peoria\070810400\Draw\Sheets
FILE: DRAINAGE DETAILS - SHEET 4 & 5 OF 6 SHEETS.dwg
DATE: 4/21/2008 3:02 PM