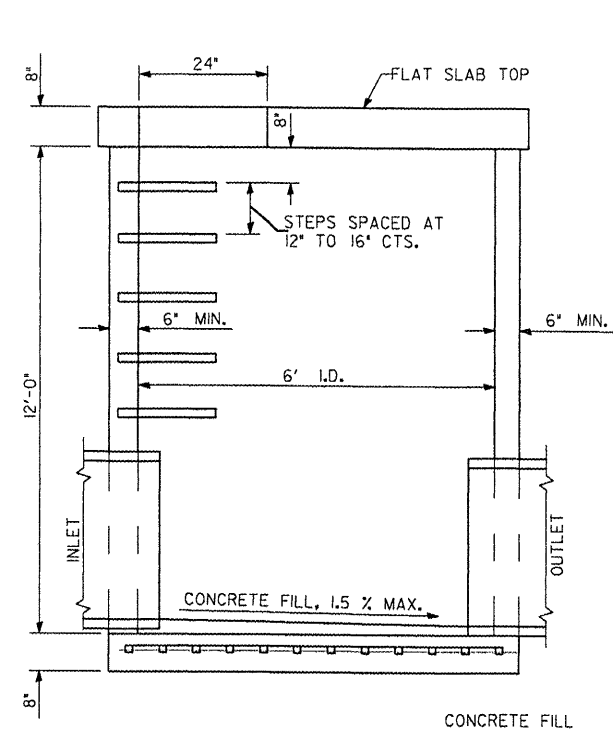


PE086

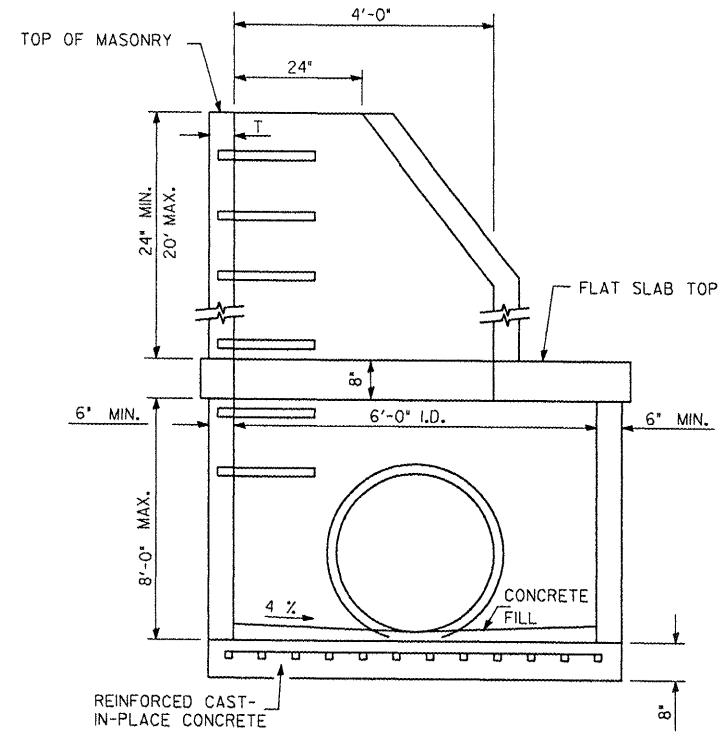
REVISIONS

NUMBER	BY	DATE

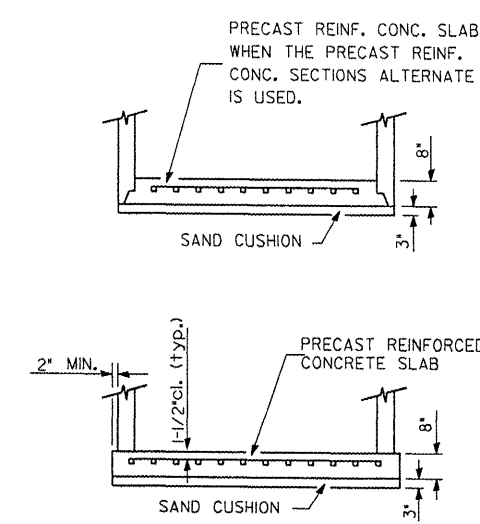
0 1 2
THIS BAR IS EQUAL TO 2" AT FULL SCALE (34X22). PLOT 1



ELEVATION



ELEVATION



ALTERNATE BOTTOM SLABS

GENERAL NOTES

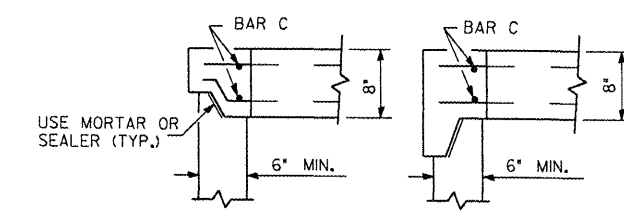
JOINT CONFIGURATION AND DIMENSIONS OF FLAT SLAB TOP SHALL MATCH AND FIT THE RISER JOINT DETAIL.

LIFTING DEVICES SHALL BE APPROVED BY THE ENGINEER.

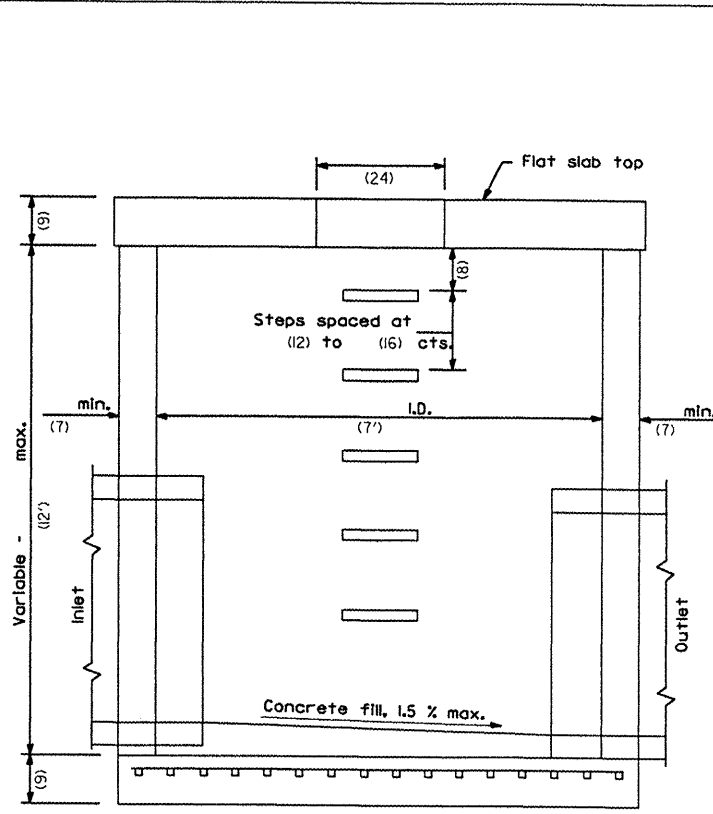
BOTTOM SLABS SHALL BE REINFORCED WITH A MINIMUM OF 975 MM²M (0.46 SQ. IN./FT.) IN BOTH DIRECTIONS.

SEE STANDARD 602701 FOR DETAILS OF MANHOLE STEPS.

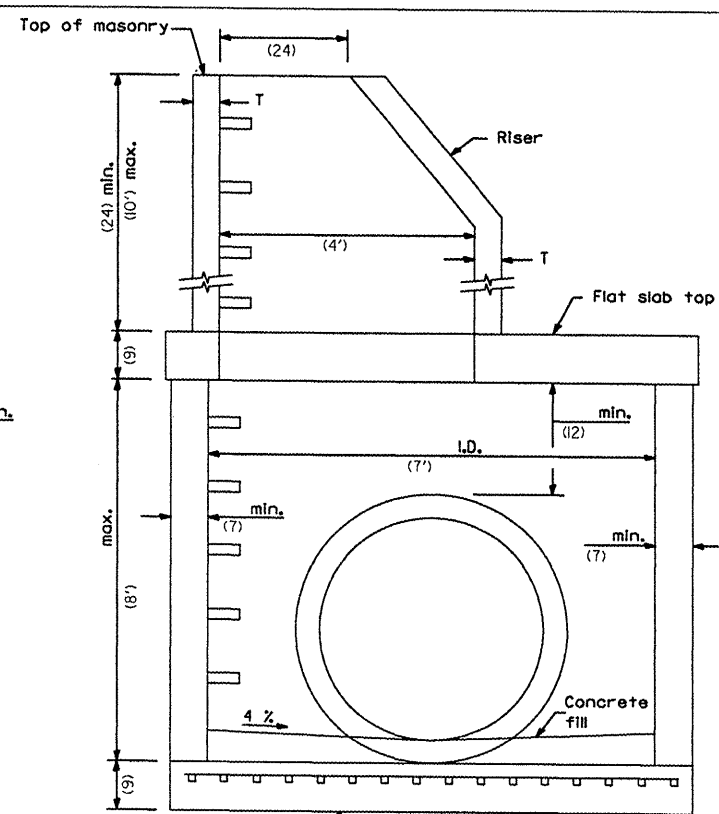
ALTERNATE MATERIALS FOR WALLS	(MIN)
CONCRETE MASONRY UNITS	5"
PRECAST REINFORCED CONCRETE SECTIONS	4"
CAST-IN-PLACE CONCRETE	6"



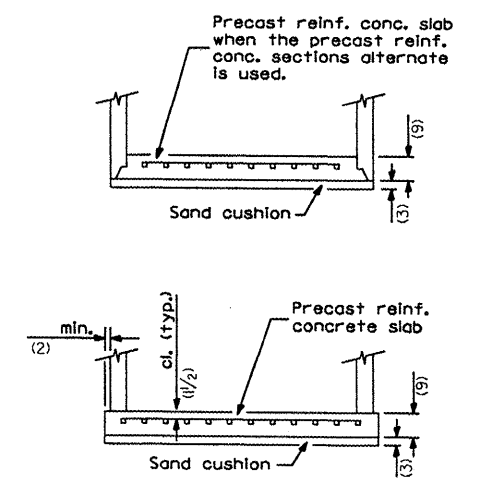
ALTERNATE JOINT CONFIGURATIONS



ELEVATION
(With Flat Slab Top Only)



ELEVATION
(With Flat Slab Top and Riser)



ALTERNATE BOTTOM SLABS

GENERAL NOTES

Joint configuration and dimensions of flat slab top shall match and fit the riser joint detail.

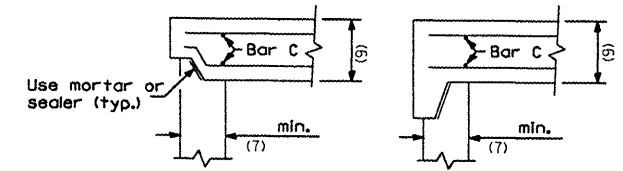
Lifting devices shall be approved by the Engineer.

Bottom slabs shall be reinforced with a minimum of 1270 sq. mm/m (0.60 sq. in./ft.) in both directions.

See Standard 602701 for details of manhole steps.

All dimensions are in millimeters (inches) unless otherwise shown.

ALTERNATE MATERIALS FOR RISER WALLS	(min)
Concrete Masonry Units	(5)
Precast Reinforced Concrete Sections	(4)
Cast-In-Place Concrete	(6)



ALTERNATE JOINT CONFIGURATIONS

MANHOLE TYPE A
(6' & 7') DIAMETER
(SHEET 1 OF 2)

GREATER Peoria REGIONAL Airport
CONSTRUCT NEW PERIMETER ROAD AND PERIMETER FENCE - PROJECT 1

CMT CRAWFORD, MURPHY & TILLY, INC. CONSULTING ENGINEERS
Copyright © CMT, Inc.

IL PROJECT: PIA-3343
AIP PROJ: 3-17-0080-XX

FILE: \$FILES
DESIGN BY: CET
DRAWN BY: CMT
CHECKED BY: XXX
APPROVED BY: XXX
DATE: 10-26-2007
JOB No: 0706104

DRAINAGE DETAILS
SHEET 4 OF 6
SHEET 26 OF 140 SHEETS

K:\Peoria\070610400\Draw\Sheets
FILE: DRAINAGE DETAILS - SHEET 4 & 5 OF 6 SHEETS.dwg
DATE: 4/24/2008 12:43 PM