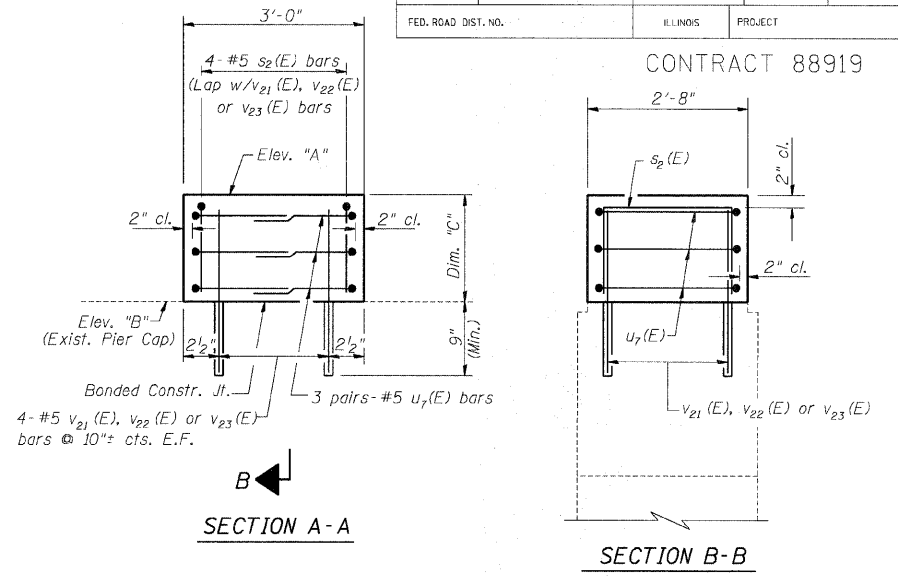
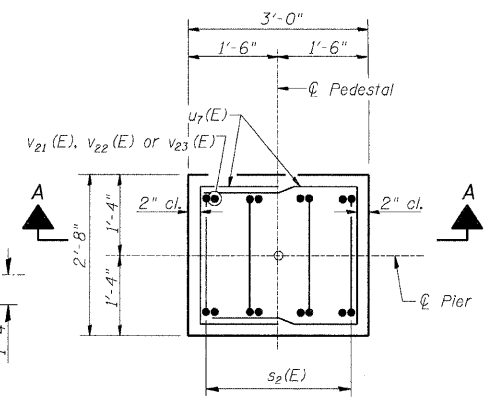
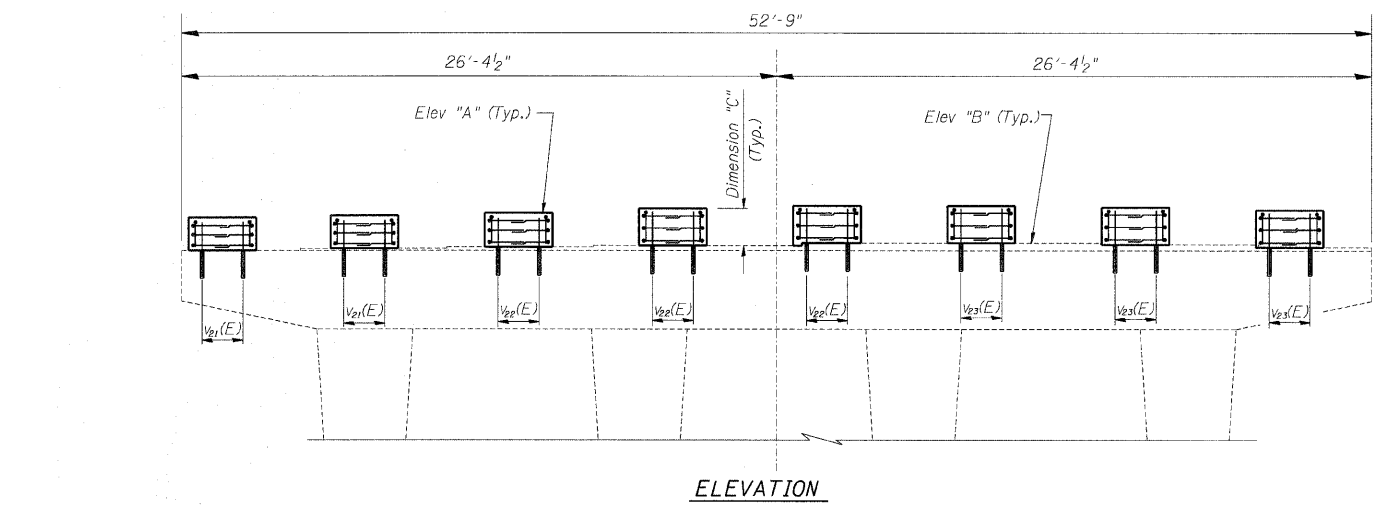
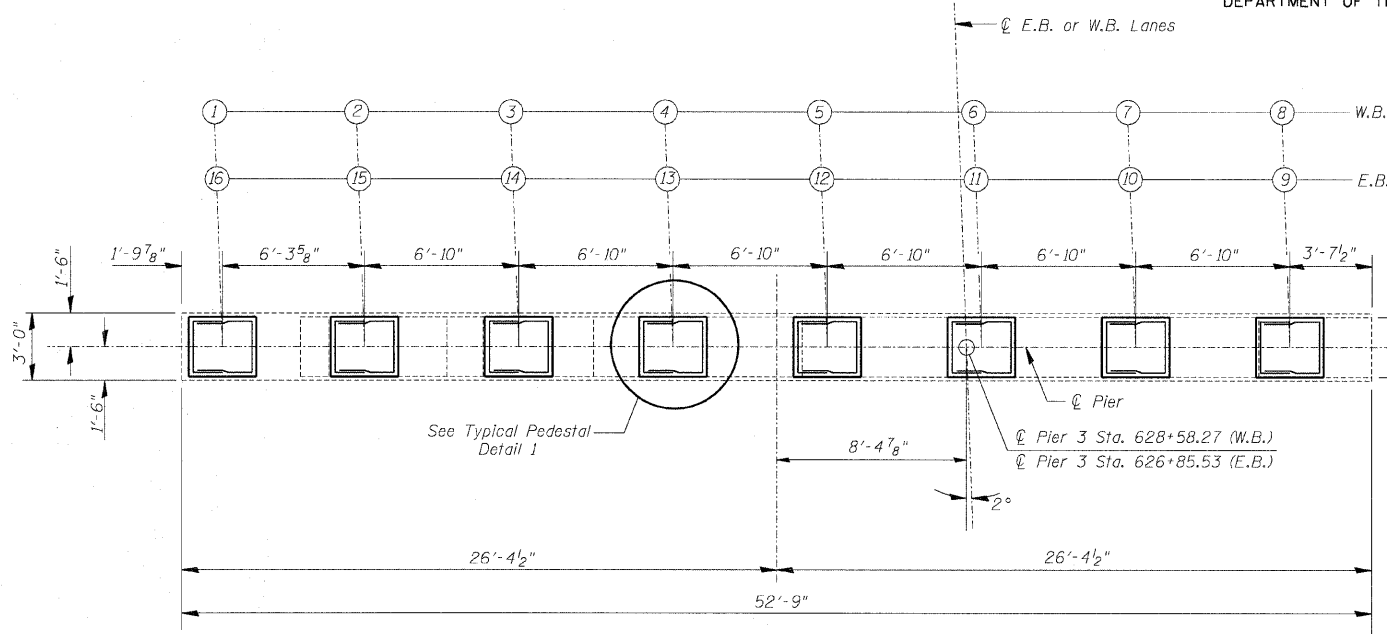


ROUTE NO.	SECTION	COUNTY	TOTAL SHEETS	SHEET NO.
F.A.I. 74	(48-26HB-4)	KNOX	54	50
FED. ROAD DIST. NO.	ILLINOIS	PROJECT		

CONTRACT 88919



PIER 3 W.B. STRUCTURE

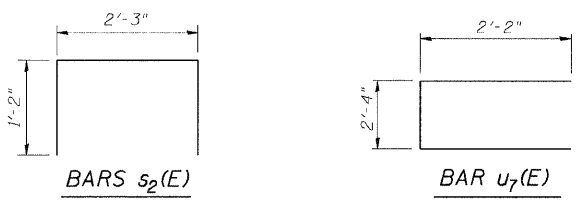
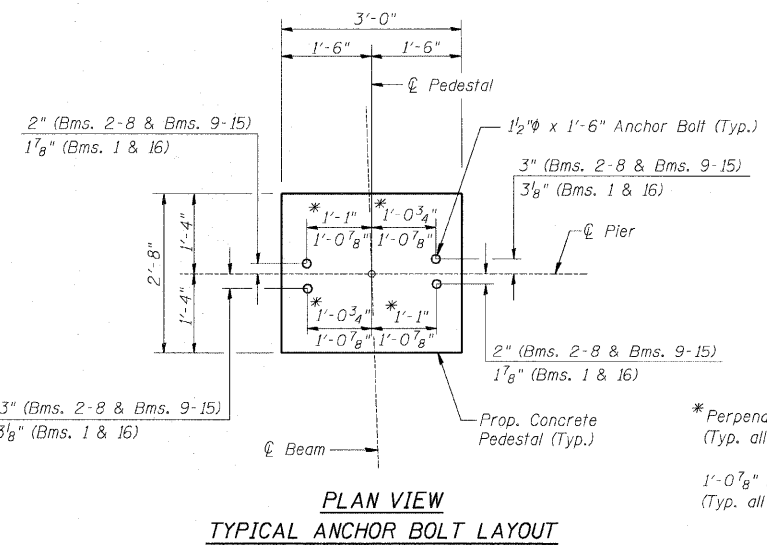
	Beam Number							
	1	2	3	4	5	6	7	8
Elevation "A"	823.24	823.37	823.51	823.66	823.77	823.86	823.75	823.63
Elevation "B"	821.74	821.84	821.86	821.92	822.05	822.05	821.99	821.84
Dimension "C"	1'-6"	1'-6 3/8"	1'-7 3/4"	1'-8 7/8"	1'-8 5/8"	1'-9 3/4"	1'-9 9/8"	1'-9 1/2"

PIER 3 E.B. STRUCTURE

	Beam Number							
	9	10	11	12	13	14	15	16
Elevation "A"	823.63	823.75	823.86	823.77	823.65	823.51	823.37	823.24
Elevation "B"	821.83	821.97	822.05	822.05	821.93	821.85	821.80	821.71
Dimension "C"	1'-9 5/8"	1'-9 3/8"	1'-9 5/8"	1'-8 5/8"	1'-8 5/8"	1'-7 7/8"	1'-6 7/8"	1'-6 3/8"

PIER 3  
BILL OF MATERIAL  
E.B. & W.B. STRUCTURES

Bar	No.	Size	Length	Shape
v <sub>21</sub> (E)	32	#5	2'-1"	—
v <sub>22</sub> (E)	48	#5	2'-3"	—
v <sub>23</sub> (E)	48	#5	2'-4"	—
s <sub>2</sub> (E)	64	#5	4'-7"	□
u <sub>7</sub> (E)	96	#5	6'-8"	□
Concrete Structures			Cu. Yd.	8.7
Reinforcement Bars, Epoxy Coated			Lbs.	1280



Notes:  
Reinforcement Bars designated (E) shall be epoxy coated.  
Drill 9" min. deep holes into existing concrete for v<sub>21</sub>(E), v<sub>22</sub>(E), & v<sub>23</sub>(E) bars with care taken to avoid existing reinforcement. Bars to be epoxy grouted into existing concrete according to Article 584 of the Standard Specifications. (Cost included in Reinforcement Bars, Epoxy Coated)

PIER 3 - E.B. & W.B. STRUCTURES			
Date	Designed ACW	<b>U.S. ROUTE 34 OVER F.A.I. ROUTE 74 F.A.I. RTE. 74 SECTION (48-26HB-4) KNOX COUNTY STA. 212+20.71 STRUCTURES NO. 048-0019 (WB) &amp; 048-0020 (EB)</b>	Sheet No.
Revisions	Drawn DCS		26
	Checked KWB		
	Approved KWB		
Prepared by: <b>WVP CORPORATION</b> A Division of URS Greiner Woodward Clyde			
Engineers - Architects - Planners Decatur, Illinois - St. Louis, Missouri			WVP Job No. 2100001161.04