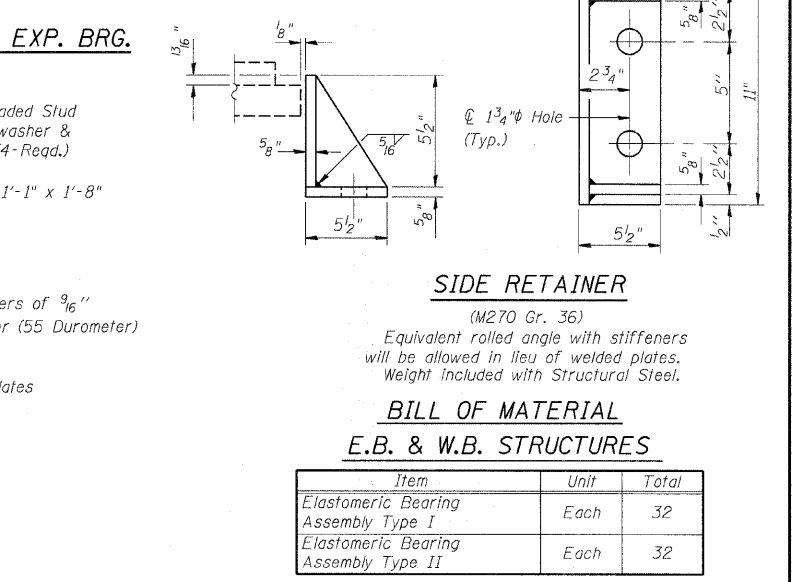
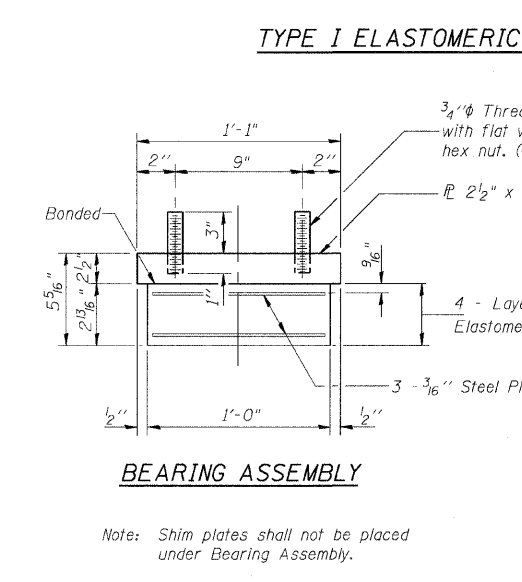
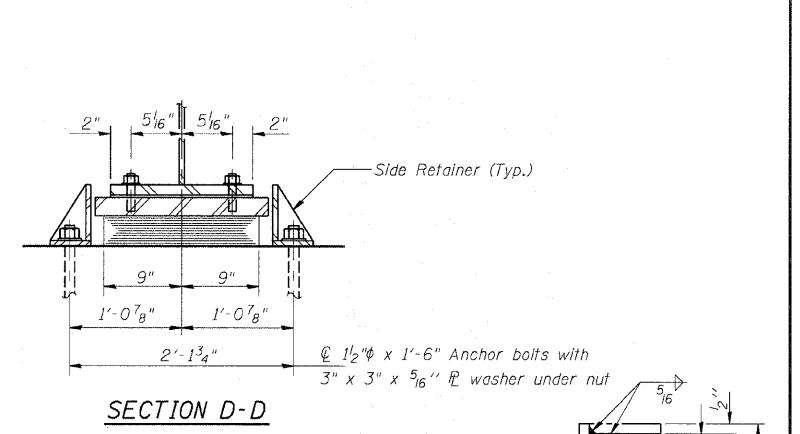
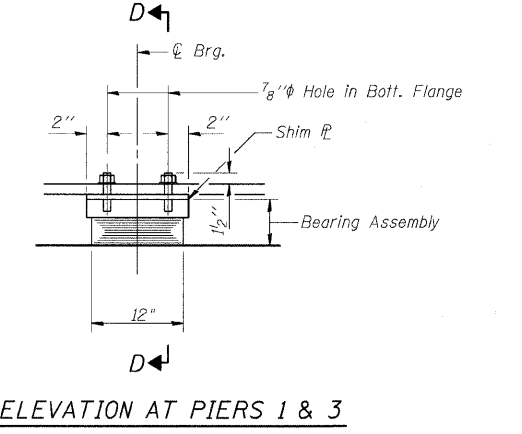
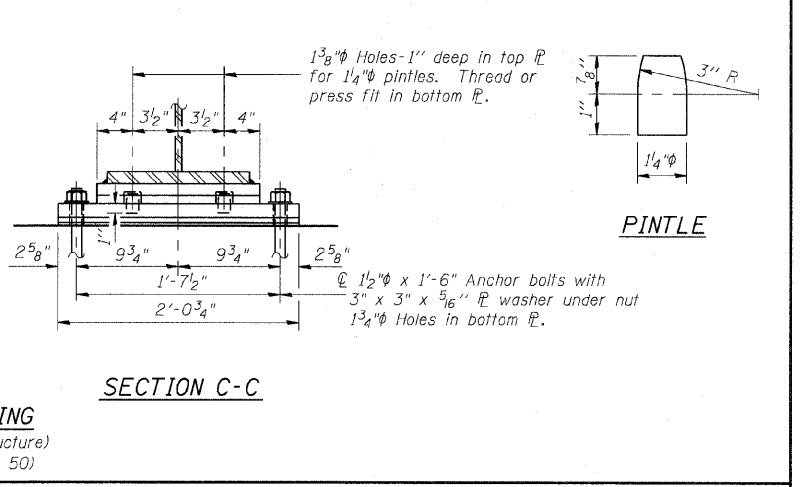
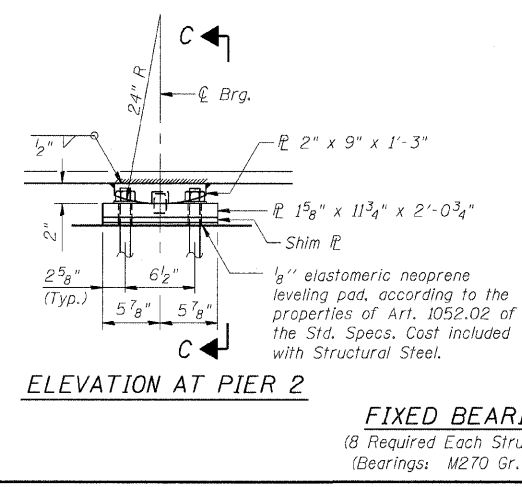
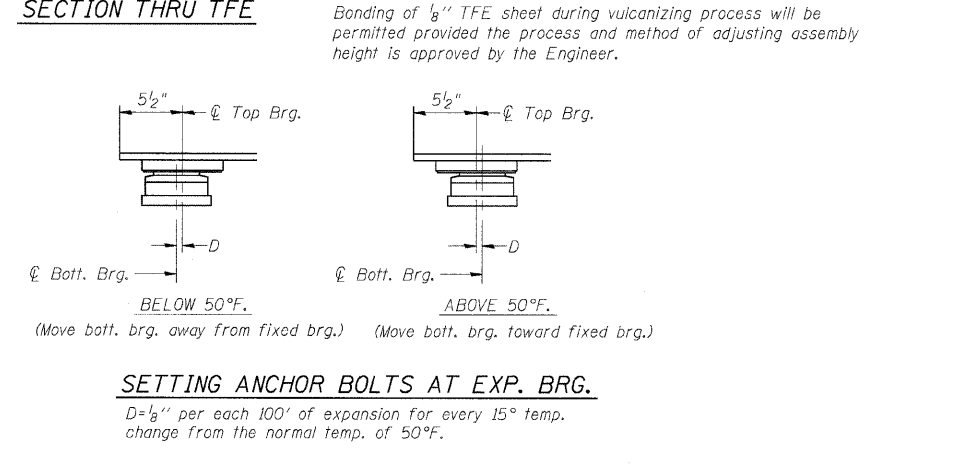
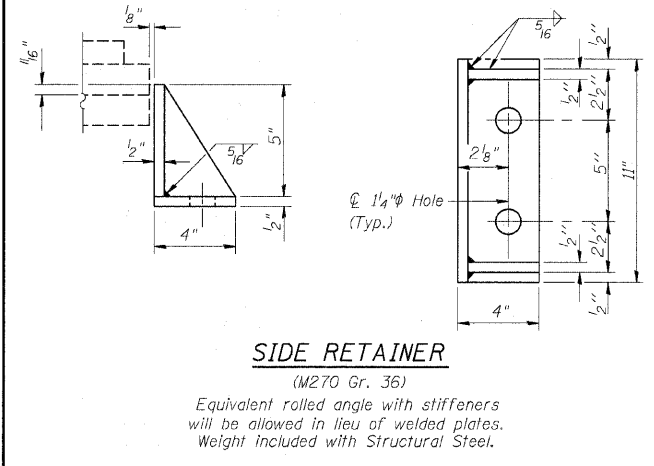
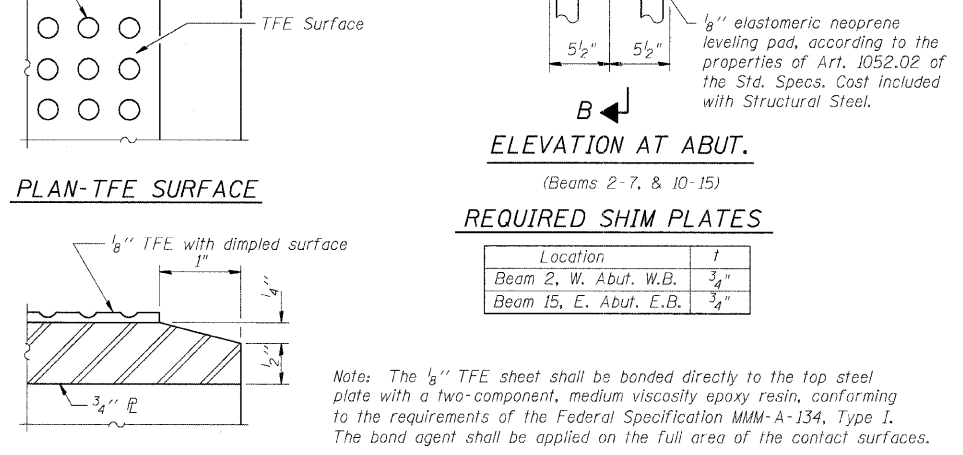
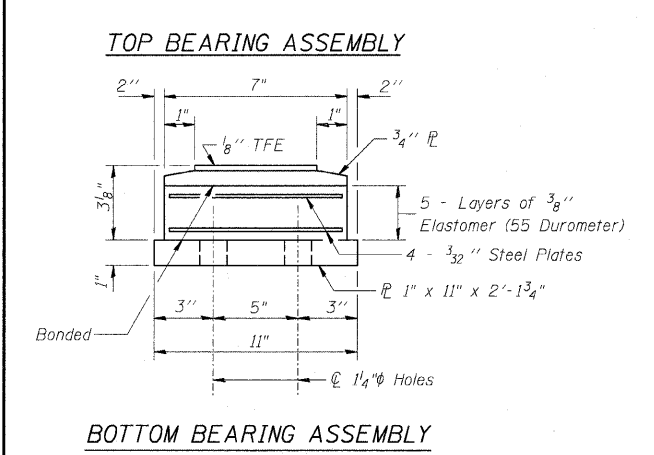
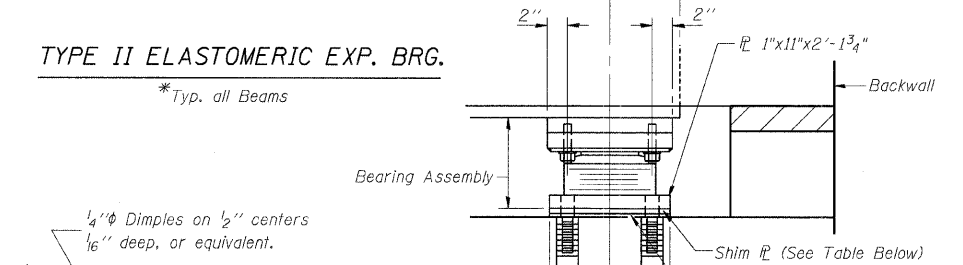
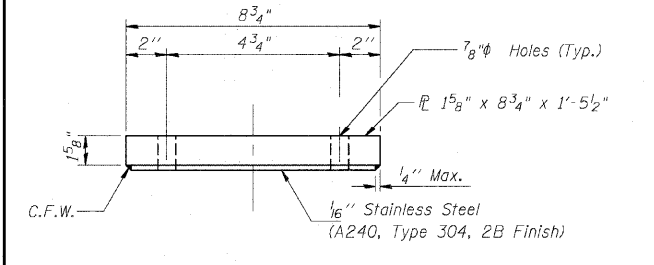
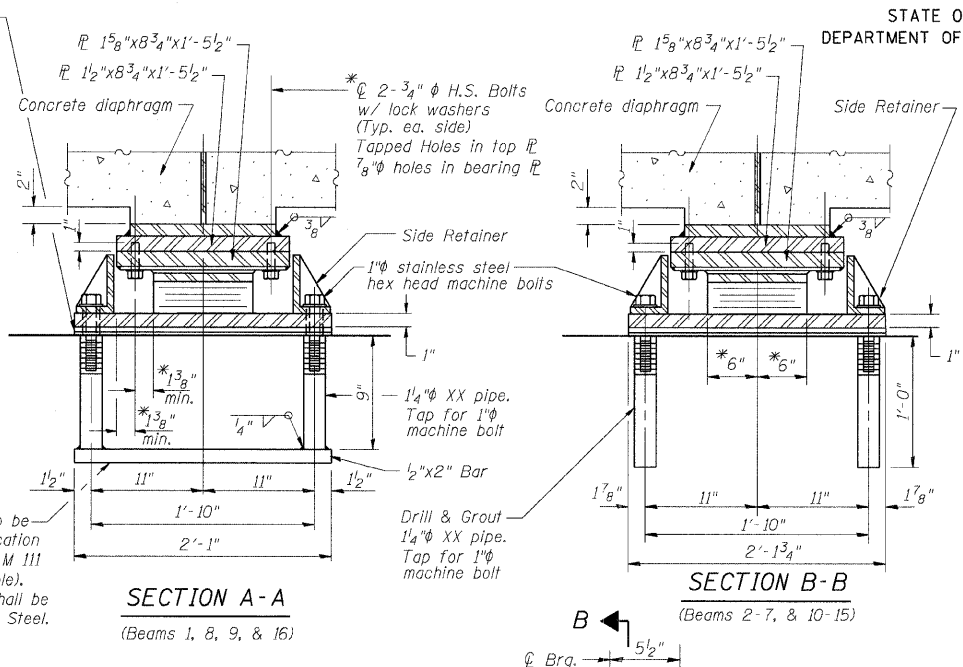
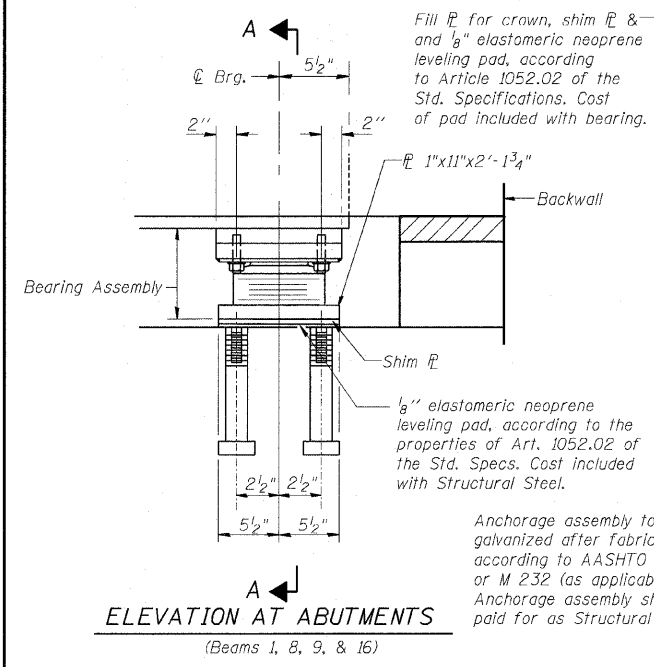


ROUTE NO.	SECTION	COUNTY	TOTAL SHEETS	SHEET NO.
F.A.I. 74	(48-26HB-4)I	KNOX	54	40
FED. ROAD DIST. NO.	ILLINOIS PROJECT			



**BEARING DETAILS**

Date	Designed ACW	U.S. ROUTE 34 OVER F.A.I. ROUTE 74 F.A.I. RTE. 74 SECTION (48-26HB-4)I KNOX COUNTY STA. 212+20.71 STRUCTURES NO. 048-0019 (WB) & 048-0020 (EB)	Sheet No.
Revisions	Drawn SRS		16
	Checked KWB		
	Approved KWB		
Prepared by: WVP CORPORATION A Division of URS Greiner Woodward Clyde		Engineers - Architects - Planners Decatur, Illinois - St. Louis, Missouri	WVP Job No. 2100001161.04