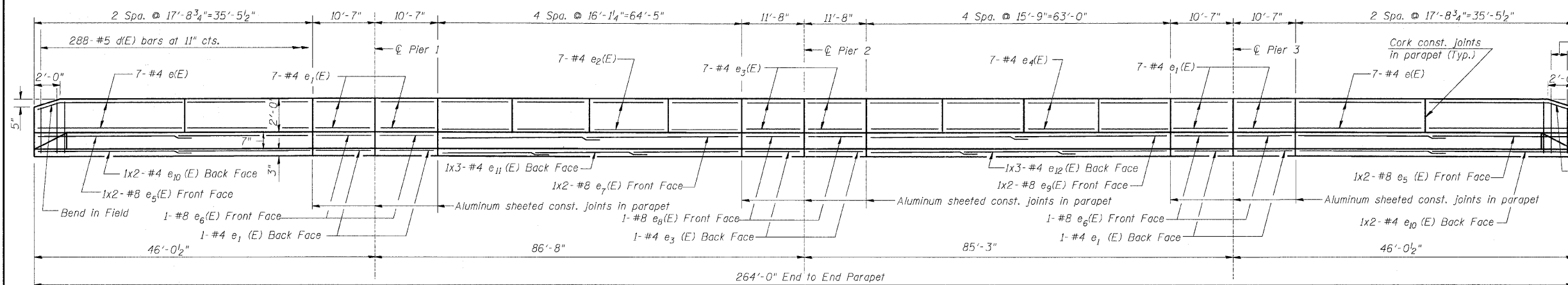


ROUTE NO.	SECTION	COUNTY	TOTAL SHEETS	SHEET NO.
F.A.I. 74	(48-26HB-4)I	KNOX	54	36
FED. ROAD DIST. NO.	ILLINOIS	PROJECT		

CONTRACT 88919

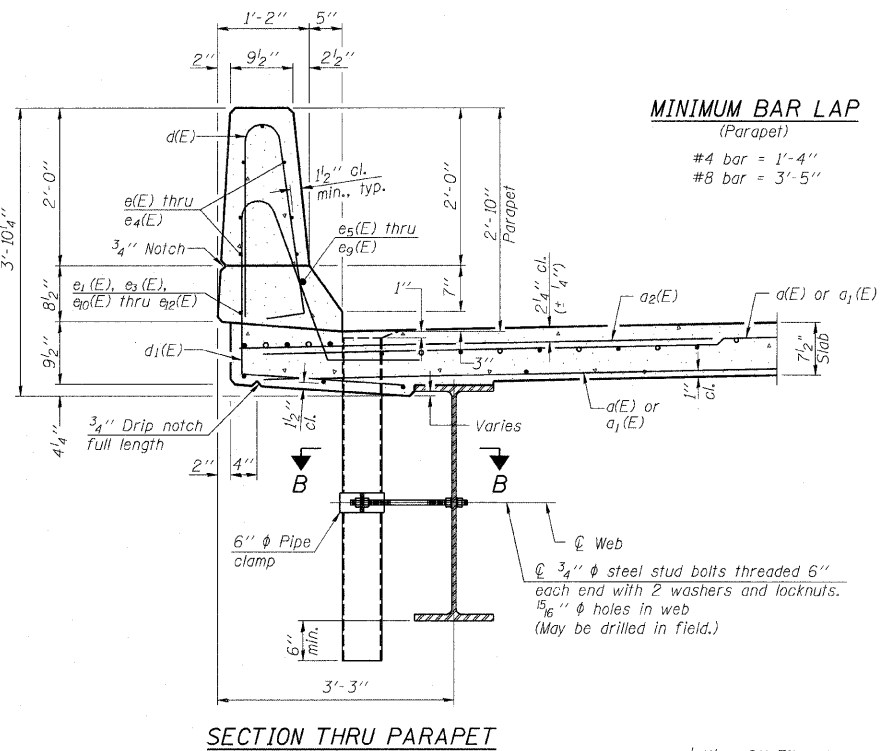


INSIDE ELEVATION OF PARAPET

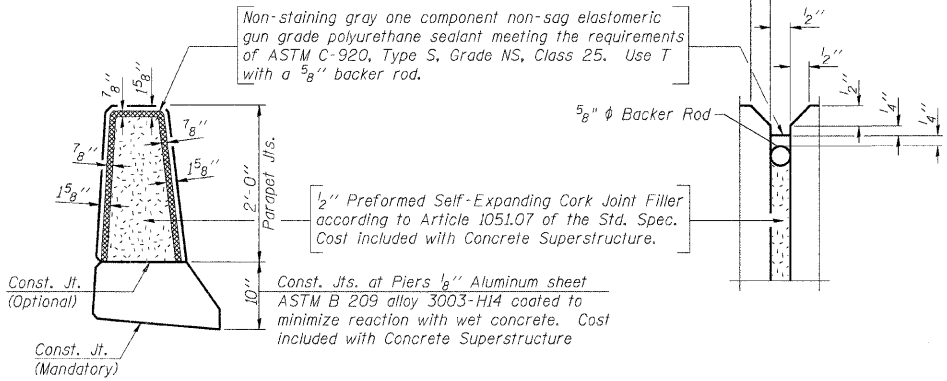
Looking North @ W.B. Structure
Looking South @ E.B. Structure
(All Dimensions along Inside Face of Parapet)

**SUPERSTRUCTURE - BILL OF MATERIAL
E.B. & W.B. STRUCTURES**

Bar	No.	Size	Length	Shape	
a(E)	1600	#5	18'-4"	—	
a ₁ (E)	800	#5	33'-8"	—	
a ₂ (E)	900	#6	6'-0"	—	
b(E)	1224	#5	25'-4"	—	
b ₁ (E)	102	#6	34'-0"	—	
b ₂ (E)	106	#6	46'-0"	—	
b ₃ (E)	108	#6	33'-1"	—	
b ₄ (E)	934	#5	27'-9"	—	
c(E)	1152	#5	5'-7"	—	
c ₁ (E)	1144	#5	7'-11"	—	
d(E)	112	#4	17'-5"	—	
d ₁ (E)	128	#4	10'-3"	—	
e ₁ (E)	84	#4	15'-9"	—	
e ₂ (E)	64	#4	11'-4"	—	
e ₃ (E)	84	#4	15'-1"	—	
e ₄ (E)	16	#8	19'-4"	—	
e ₅ (E)	16	#8	10'-3"	—	
e ₆ (E)	8	#8	33'-10"	—	
e ₇ (E)	8	#8	11'-4"	—	
e ₈ (E)	8	#8	33'-1"	—	
e ₉ (E)	16	#4	18'-4"	—	
e ₁₀ (E)	12	#4	22'-4"	—	
e ₁₁ (E)	12	#4	21'-10"	—	
e ₁₂ (E)	12	#4	21'-10"	—	
m(E)	32	#6	18'-4"	—	
m ₁ (E)	32	#6	17'-8"	—	
m ₂ (E)	42	#6	9'-8"	—	
m ₃ (E)	48	#6	14'-0"	—	
m ₄ (E)	36	#6	8'-0"	—	
m ₅ (E)	6	#6	10'-10"	—	
m ₆ (E)	6	#6	7'-9"	—	
s ₅ (E)	198	#4	7'-6"	—	
s ₆ (E)	190	#4	10'-9"	—	
v(E)	204	#5	3'-2"	—	
Reinforcement Bars, Epoxy Coated				Pound	175,080
Concrete Superstructure				Cu. Yds.	843.2
Protective Coat				Sq. Yds.	3,308
Bridge Deck Grooving				Sq. Yds.	2876
Floor Drains				Each	24
Bar Splicers				Each	1848

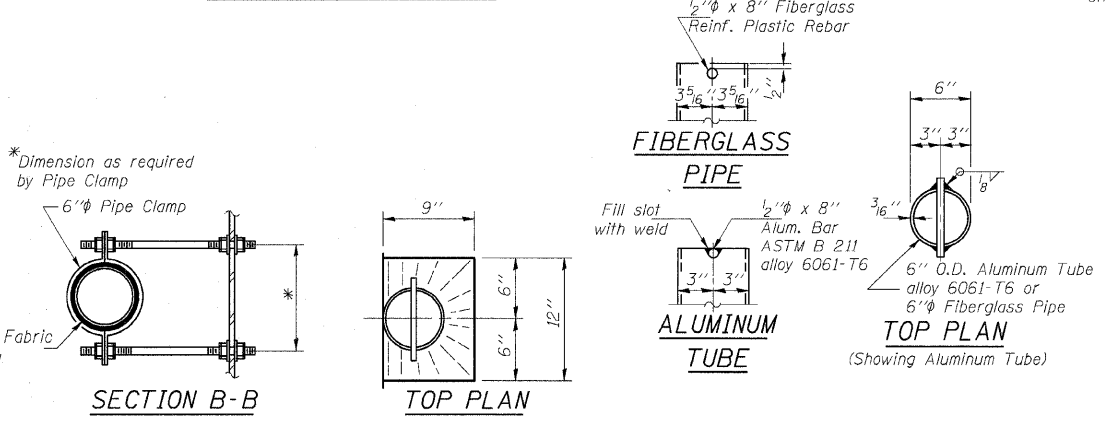


SECTION THRU PARAPET



PARAPET JOINT DETAILS

Notes:
The exterior surfaces of the floor drains shall be painted with the finish coat as specified in the special provisions for Cleaning and Painting New Metal Structures. The exterior surfaces of the drains shall be cleaned according to Society of Protective Coatings Spec. SSPC-SP1 prior to painting.
Fiberglass pipe shall conform to ASTM D 2996, with short-time rupture strength hoop tensile stress of 30,000 p.s.i. minimum.



FIBERGLASS PIPE

ALUMINUM TUBE

TOP PLAN
(Showing Aluminum Tube)

BAR d(E)

BAR d₁(E)

Reinforcement bars designated (E) shall be epoxy coated.
Bars indicated thus 3x3-#4 etc. indicates 3 lines of bars with 3 lengths per line.

SUPERSTRUCTURE DETAILS - E.B. & W.B. STRUCTURES

Date	Designed ACW	U.S. ROUTE 34 OVER F.A.I. ROUTE 74 F.A.I. RTE. 74 SECTION (48-26HB-4)I KNOX COUNTY STA. 212+20.71 STRUCTURES NO. 048-0019 (WB) & 048-0020 (EB)	Sheet No.
Revisions	Drawn SRS		12
	Checked KWB		of 30
	Approved KWB		
Prepared by: WVP CORPORATION A Division of URS Greiner Woodward Clyde	Engineers - Architects - Planners Decatur, Illinois - St. Louis, Missouri		WVP Job No. 2100001161.04