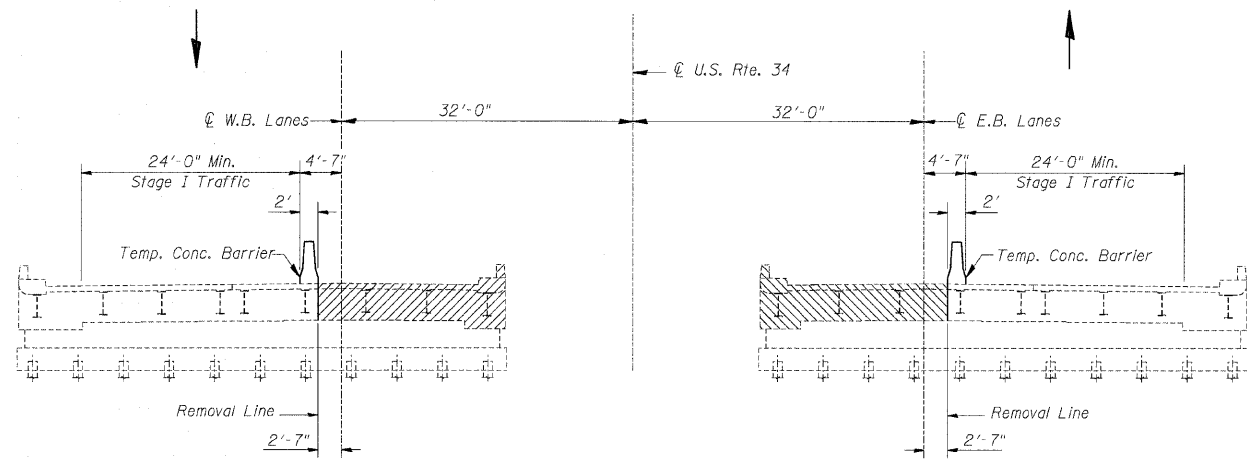


ROUTE NO.	SECTION	COUNTY	TOTAL SHEETS	SHEET NO.
F.A.I. 74	(48-26HB-4)I	KNOX	54	27
FED. ROAD DIST. NO.	ILLINOIS PROJECT			

CONTRACT 88919

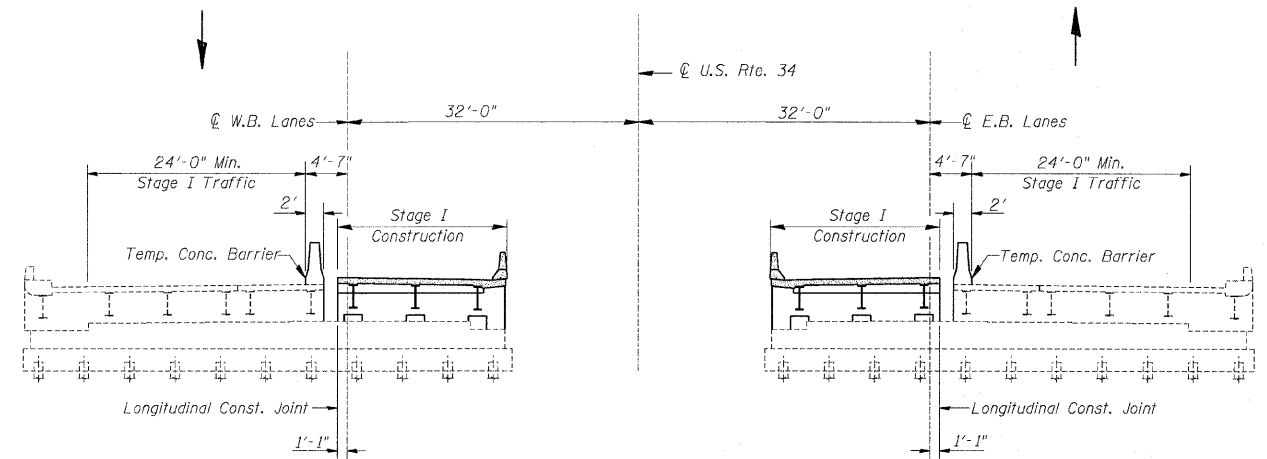


STAGE I REMOVAL

(Looking East)

- One-Way Traffic on Existing W.B. & E.B. Structures
- Remove Existing Deck, Beams, Abutment Backwalls and Wingwalls of W.B. & E.B. Structures to Removal Line
- Removal of Existing Bridge Rail Included in Cost of Removal of Existing Superstructures

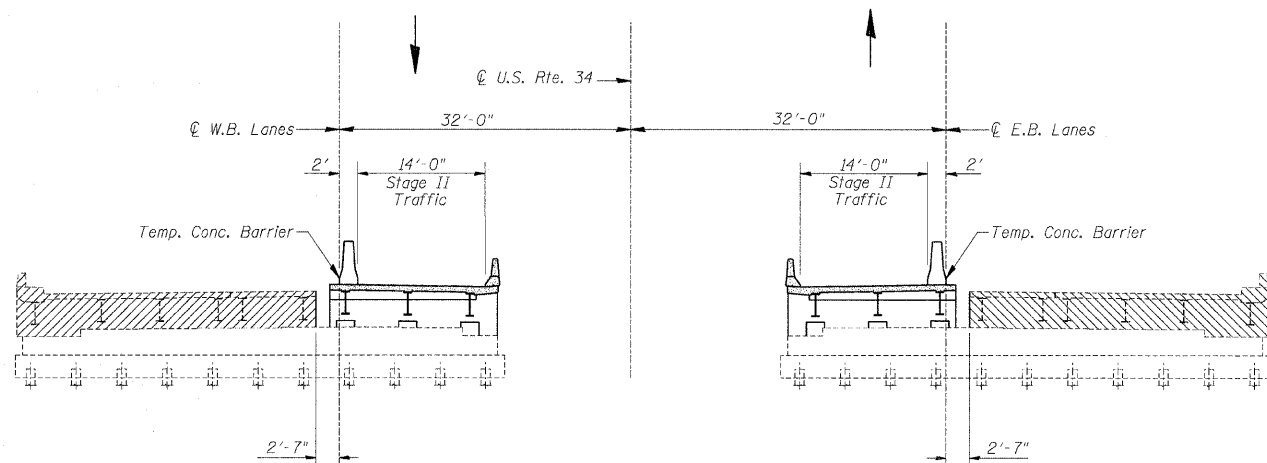
= Removal



STAGE I CONSTRUCTION

(Looking East)

- One-Way Traffic on Existing W.B. & E.B. Structures
- Construct New Deck, Beams, Abutment Backwalls and Wingwalls of W.B. & E.B. Structures to Longitudinal Const. Joint

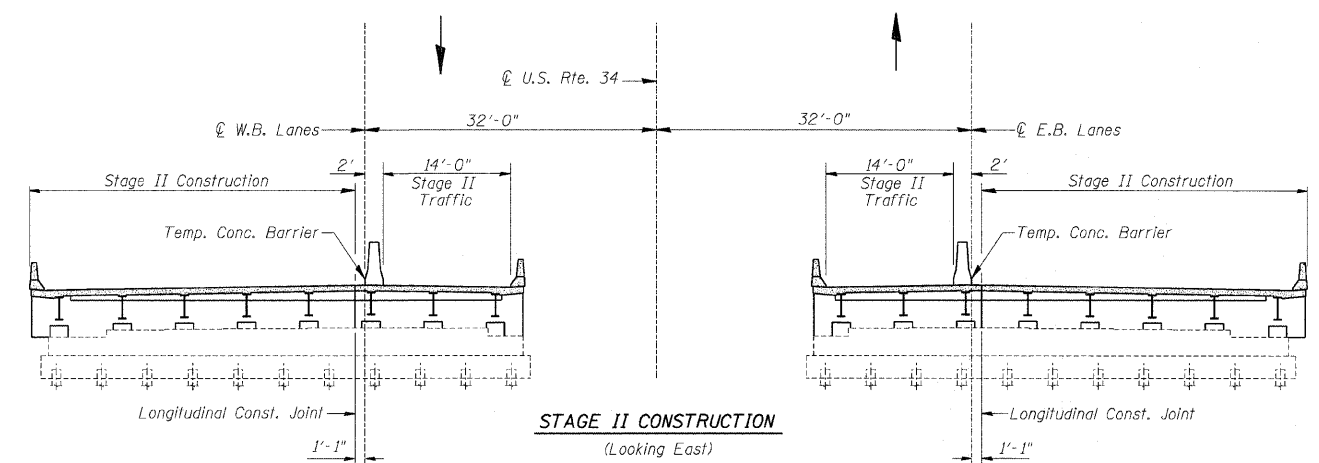


STAGE II REMOVAL

(Looking East)

- One-Way Traffic on New W.B. & E.B. Structures
- Remove Remaining Existing Deck, Beams, Abutment Backwalls and Wingwalls of W.B. & E.B. Structures
- Removal of Existing Bridge Rail Included in Cost of Removal of Existing Superstructures

= Removal



STAGE II CONSTRUCTION

(Looking East)

- One-Way Traffic on New W.B. & E.B. Structures
- Construct New Deck, Beams, Abutment Backwalls and Wingwalls of W.B. & E.B. Structures to Longitudinal Const. Joint

Notes:
See Sht. 29 of 30 for Temporary Concrete Barrier Details.
See Sht. 17 of 30 for Concrete Removal Details.
Quantity of Temporary Concrete Barrier is included in the Roadway Plans.

STAGE CONSTRUCTION SEQUENCE

Date	Designed ACW	U.S. ROUTE 34 OVER F.A.I. ROUTE 74 F.A.I. RTE. 74 SECTION (48-26HB-4)I KNOX COUNTY STA. 212+20.71 STRUCTURES NO. 048-0019 (WB) & 048-0020 (EB)	Sheet No.
Revisions	Drawn SRS		3
	Checked KWB		of 30
	Approved KWB		
Prepared by: WVP CORPORATION A Division of URS Greiner Woodward Clyde		Engineers - Architects - Planners Decatur, Illinois - St. Louis, Missouri	WVP Job No. 2100001161.04