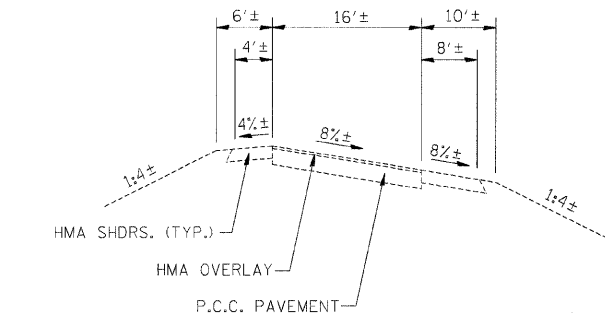
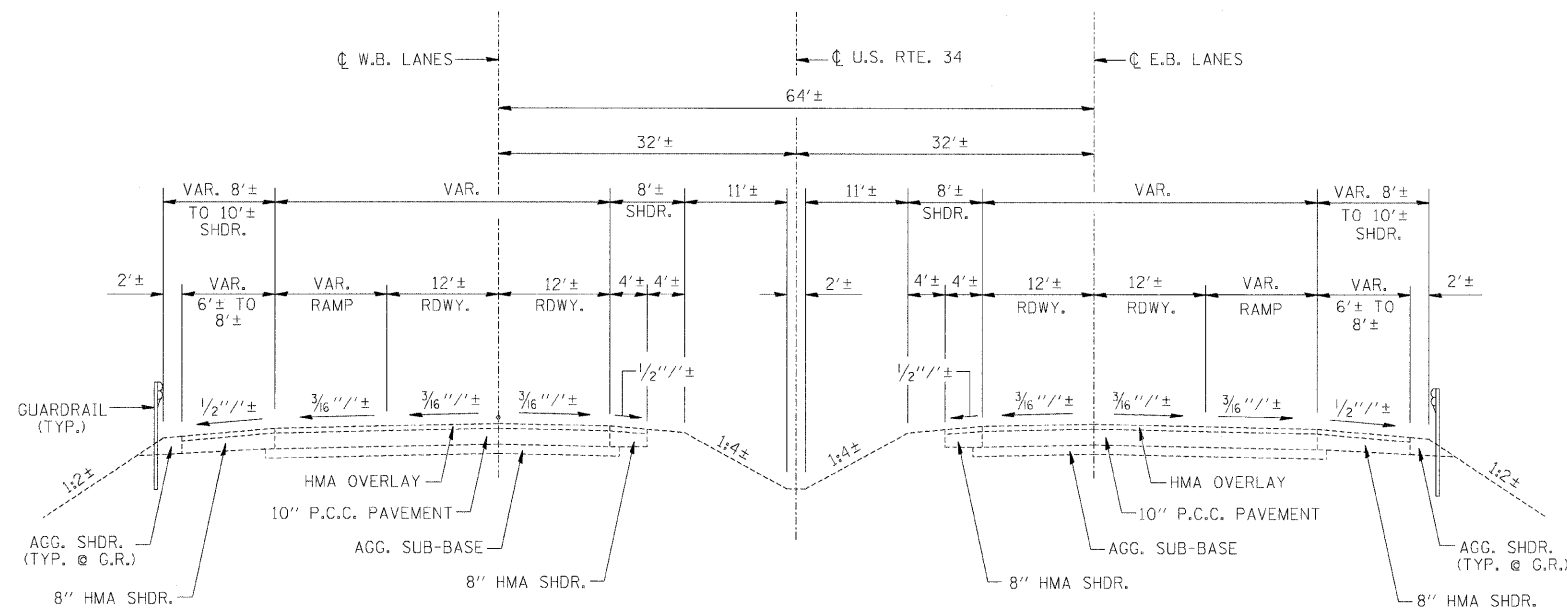


EXISTING TYPICAL SECTION - U.S. RTE. 34
 (LOOKING EAST)
 (STA. 616+00 TO 638+71)
 (SHOWING EXIST. SHOULDER REMOVAL)

DENOTES REMOVAL
 * THE COST OF SAW CUTTING IS INCLUDED IN THE COST FOR P.C.C. SHOULDERS 10"



EXISTING TYPICAL SECTION - RAMPS "A", "B" & "D"
 (LOOKING WITH DIRECTION OF TRAFFIC)



EXISTING TYPICAL SECTION - U.S. RTE. 34
 (LOOKING EAST)
 (STA. 622+40 TO 632+04)

REVISIONS	
NAME	DATE

ILLINOIS DEPARTMENT OF TRANSPORTATION
EXISTING ROADWAY TYPICAL SECTIONS
 DATE 9-13-04 DRAWN BY SRS CHECKED BY ACW