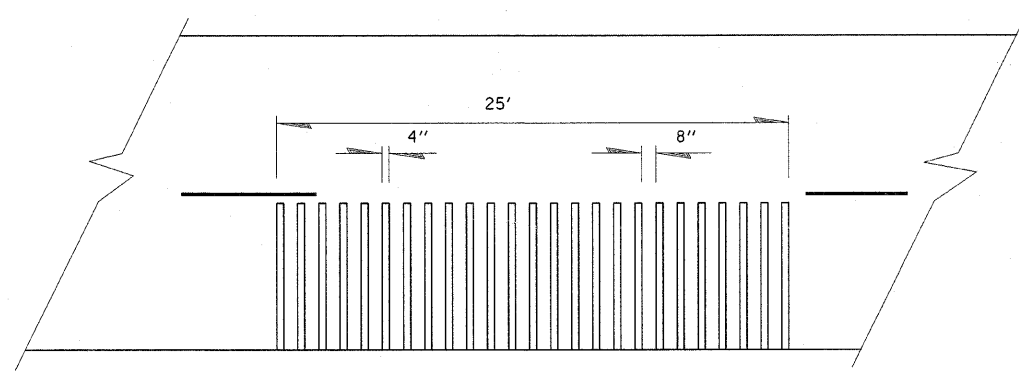
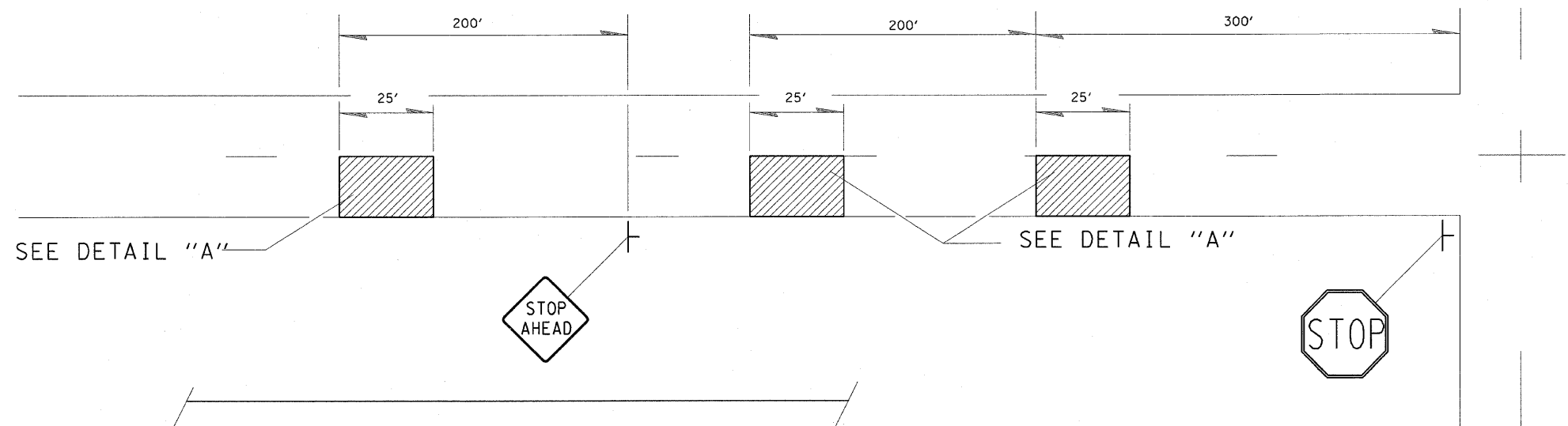
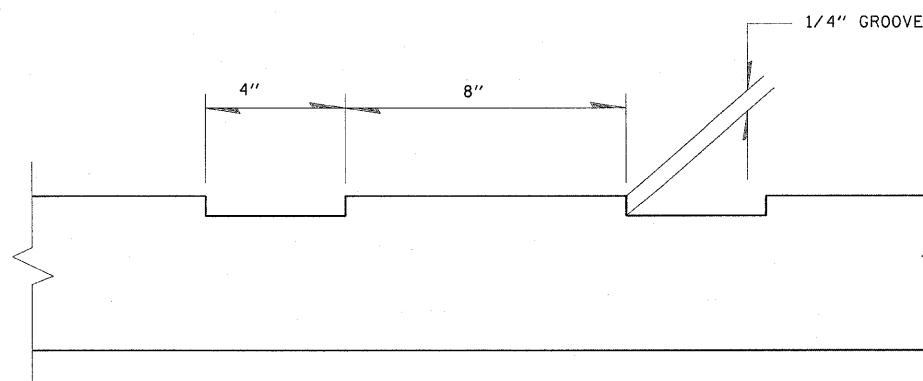


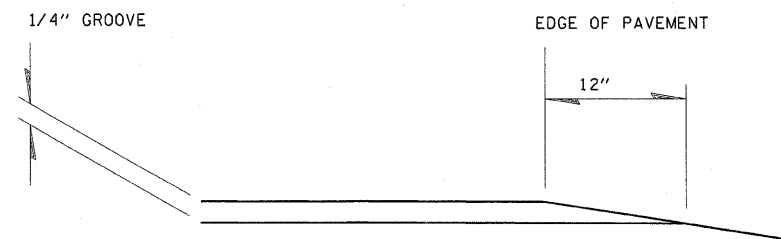
TYPICAL RUMBLE STRIP APPLICATION IN ADVANCE OF AN INTERSECTION



DETAIL "A"



NOTE: THE 25 FEET RUMBLE AREA HAS 4" WIDE GROOVES SAWED INTO THE PAVEMENT, SEPARATED BY 8" OF EXISTING PAVEMENT. THE SAW CUTS SHALL EXTEND 12" INTO THE SHOULDER TO ALLOW FOR DRAINAGE.



FILE NAME =	USER NAME = teasleyck	DESIGNED -	REVISED - MMO 12-99	STATE OF ILLINOIS DEPARTMENT OF TRANSPORTATION	TYPICAL RUMBLE STRIP APPLICATION	F.A.P. RTE.	SECTION	COUNTY	TOTAL SHEETS	SHEET NO.
c:\pw\work\PWIDOT\TEASLEYCK\00123490.D	74380-sht-details.dgn	DRAWN -	REVISED -			758	3RS-4,(4,5)RS-2	Moultrie	10	10
PLOT SCALE = 50.0000' / IN.	CHECKED -	REVISED -	REVISED -			CONTRACT NO. 74380				
PLOT DATE = 4/10/2009	DATE -	REVISED -	REVISED -			ILLINOIS FED. AID PROJECT				
				SCALE:	SHEET NO. OF SHEETS	STA. TO STA.				