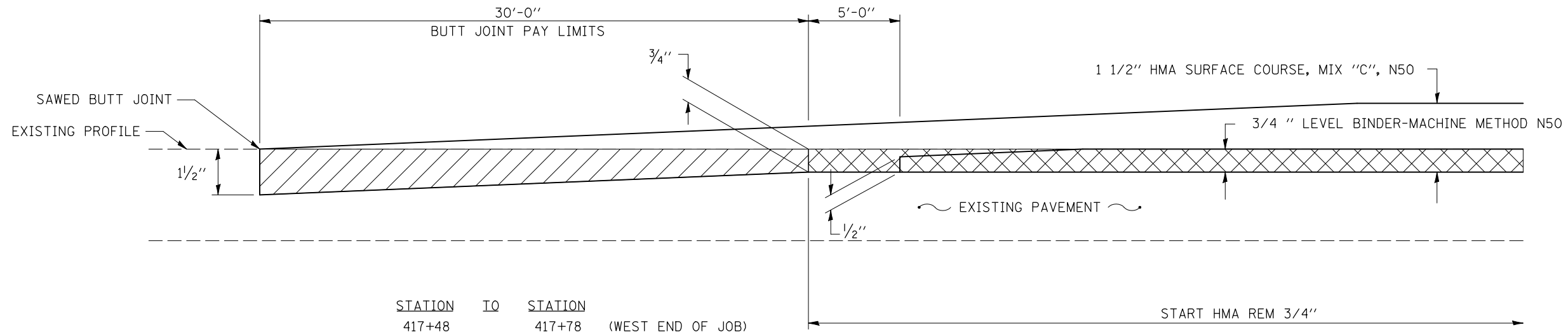


DETAIL OF HOT-MIX ASPHALT SURFACE REMOVAL - BUTT JOINT



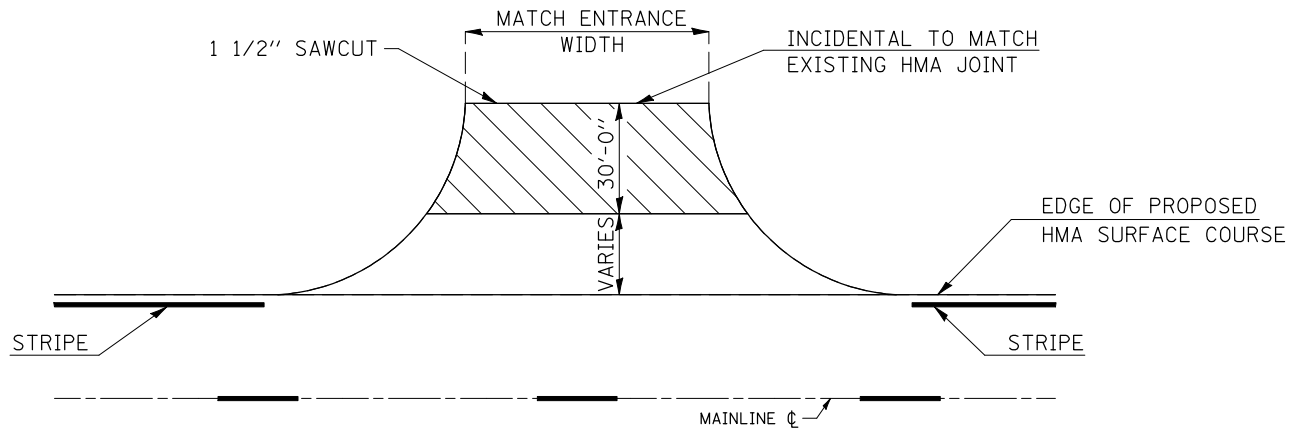
STATION	TO	STATION	
417+48		417+78	(WEST END OF JOB)
520+37		520+67	(IL 49 WEST)
524+14		524+44	(IL 49 EAST)

ALSO TO BE USED AT ALL RURAL STRUCTURE OMISSIONS UP TO AND INCLUDING THE WEST END OF S.N. 092-0192.

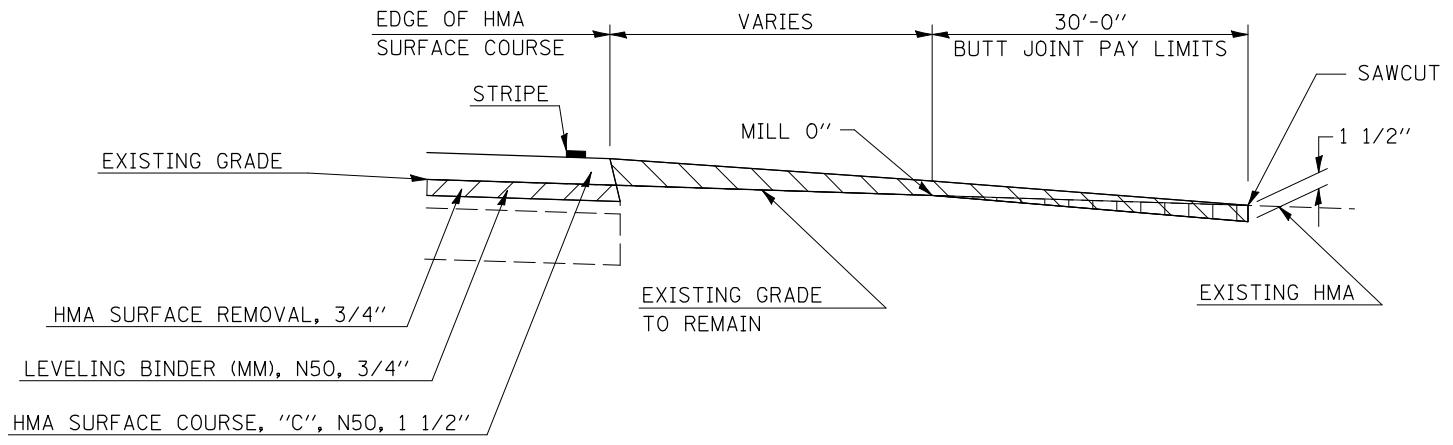
* APPROACHES SKEWED @ STRUCTURES STATIONS LISTED ARE @ \perp

- BUTT JOINT HMA REMOVAL
- 3/4" HMA REMOVAL

DETAIL FOR MILLING AND RESURFACING @ EAST LYNN RD. LT /RT STA. 790+86



PLAN



- INCIDENTAL HMA SURFACE
- SURFACE REMOVAL - BUTT JOINT (MILLING AREA)