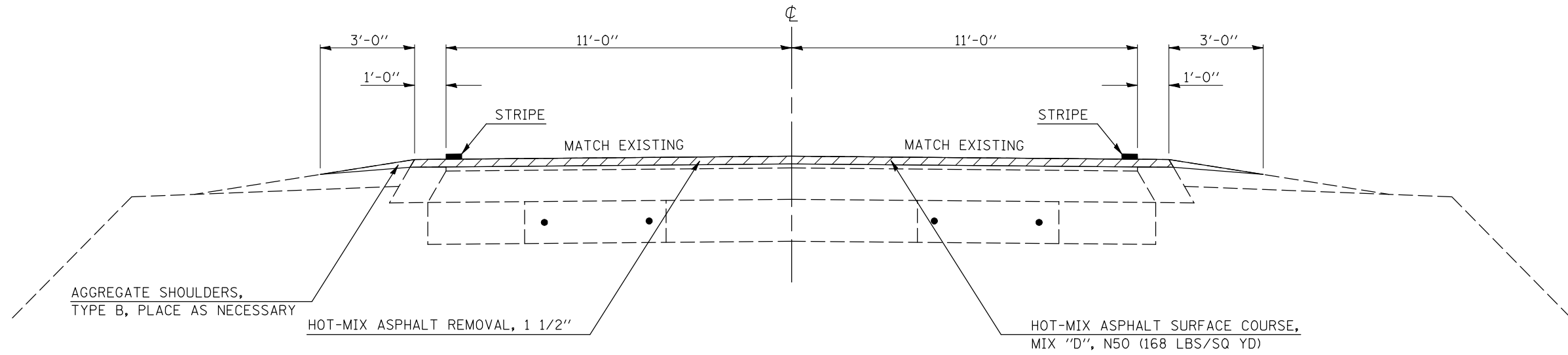


11 PROPOSED TYPICAL CROSS SECTION

STATION TO STATION
 1189+10.50 1207+00.00



FILE NAME =	USER NAME = piersonbr	DESIGNED -	REVISED -	STATE OF ILLINOIS DEPARTMENT OF TRANSPORTATION	PROPOSED TYPICAL CROSS SECTIONS			F.A.P. RTE.	SECTION	COUNTY	TOTAL SHEETS	SHEET NO.
ct:\pw\work\PIWIDOT\PIERSONBR\d0115224\05	0764-shr-typical.dgn	DRAWN -	REVISED -					697	2RS-3&46RS-8	Vermilion	43	17
	PLOT SCALE = 40.0000' / IN.	CHECKED -	REVISED -		SCALE: SHEET NO. OF SHEETS STA. TO STA.			CONTRACT NO. 70764		ILLINOIS FED. AID PROJECT		
	PLOT DATE = 4/10/2009	DATE -	REVISED -									