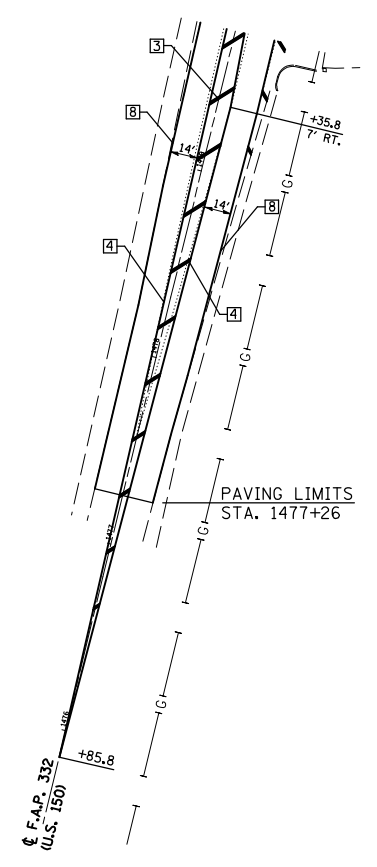


TYPICAL PAVEMENT MARKING LEGEND

- 1 4" (100) SKIP-DASH (YELLOW)
- 2 4" (100) SOLID (YELLOW)
- 3 12" (300) DIAGONAL (YELLOW)
- 4 4" (100) DOUBLE YELLOW (NARROW)
- 5 RESERVED
- 6 RESERVED
- 7 4" (100) SKIP-DASH (WHITE)
- 8 4" (100) SOLID (WHITE)
- 9 12" (300) DIAGONAL (WHITE)
- 10 6" (150) SOLID (WHITE)
- 11 24" (600) STOP BAR (WHITE)
- 12 8" (200) SOLID (WHITE)
- 13 4" (100) LANE LINE EXTENSIONS (WHITE)
- 14 4" (100) PARKING WHITE



FILE NAME = c:\pw\work\p\dot\cearlockjd\d0124768\d070714-sht-striping.dgn	USER NAME = cearlockjd	DESIGNED - MWM	REVISED -	STATE OF ILLINOIS DEPARTMENT OF TRANSPORTATION	STRIPING DETAIL FOR INTERSECTION OF US 36 & US 150			F.A.P. RTE. 323	SECTION (147,148,149)RS-4	COUNTY Edgar	TOTAL SHEETS 23	SHEET NO. 16
	PLOT SCALE = 100.0000' / IN.	CHECKED -	REVISED -		SCALE: 1" = 50'	SHEET NO. 3 OF 3 SHEETS	STA.	TO STA.	CONTRACT NO. 70714			
PLOT DATE = 4/9/2009	DATE -	REVISED -	REVISED -	ILLINOIS FED. AID PROJECT								