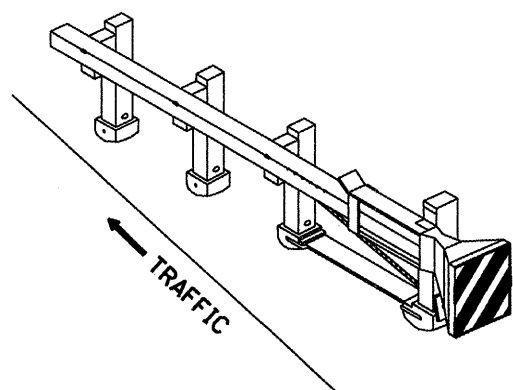
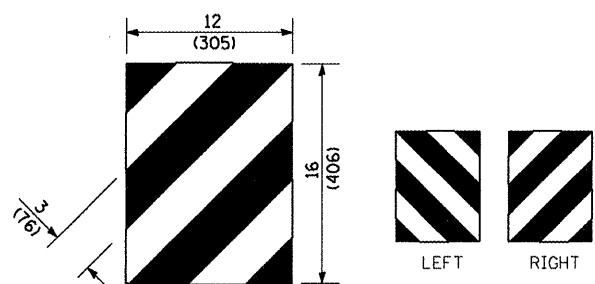


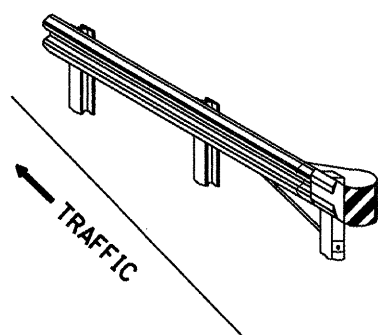
For Traffic Barrier Terminal Type 1 (Special)



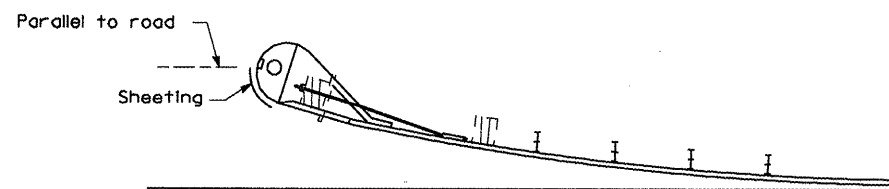
Standard Treatment - Direct Applied Sheeting  
Traffic Barrier Terminal Type 1 (Special)



For Traffic Barrier Terminal Type (\*)  
and Post Mount  
• See Plans for Type



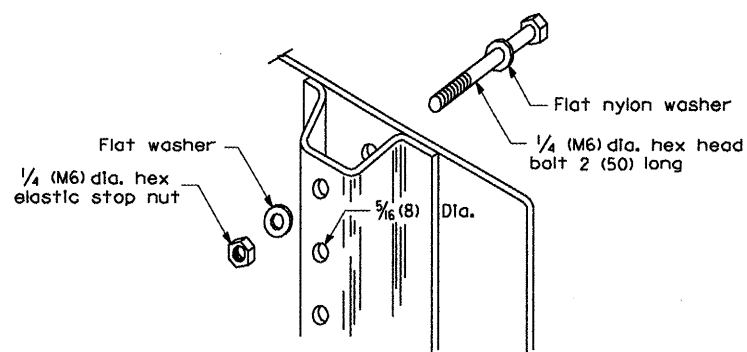
Standard Treatment - Direct Applied Sheeting  
Traffic Barrier Terminal Type (\*)  
• See Plans for Type



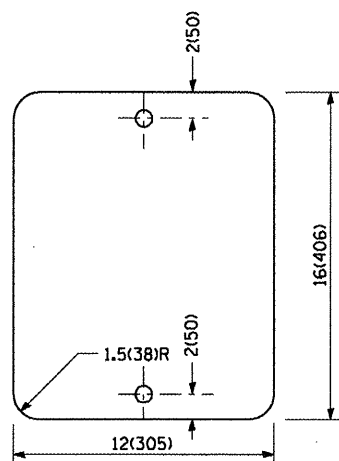
Sheeting Position for  
Traffic Barrier Terminal Type (\*)  
• See Plans for Type

**TERMINAL MARKER DETAILS**

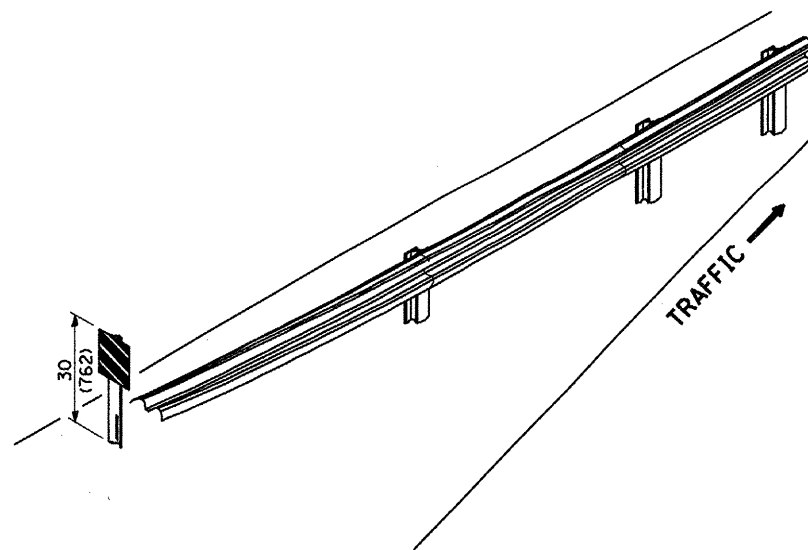
Color: Black / Yellow reflectorized  
 OM - I100 (L or R) Direct applied reflective sheeting  
 OM - I200 (L or R) Post mounted



DETAIL OF MOUNTING TERMINAL MARKER TO POST



STANDARD TERMINAL MARKER



ALTERNATE TREATMENT - POST MOUNTED  
(For turned-down terminal where sheeting cannot be direct applied)

**TERMINAL MARKER TREATMENTS**

**GENERAL NOTES**

All dimensions are in inches (millimeters) unless otherwise noted.

STATE OF ILLINOIS DEPARTMENT OF TRANSPORTATION		GUARDRAIL AND BARRIER WALL DELINEATION		F.A.P. RTE. 669/693	SECTION (10,15)RS-5,9RS, 13RS-2,15RS-4	COUNTY TAZEWELL	TOTAL SHEETS 54	SHEET NO. 51
		NOT TO SCALE		SHT. 2 OF 3 CADD STD. 635101-D4		CONTRACT NO. 68892		ILLINOIS FED. AID PROJECT