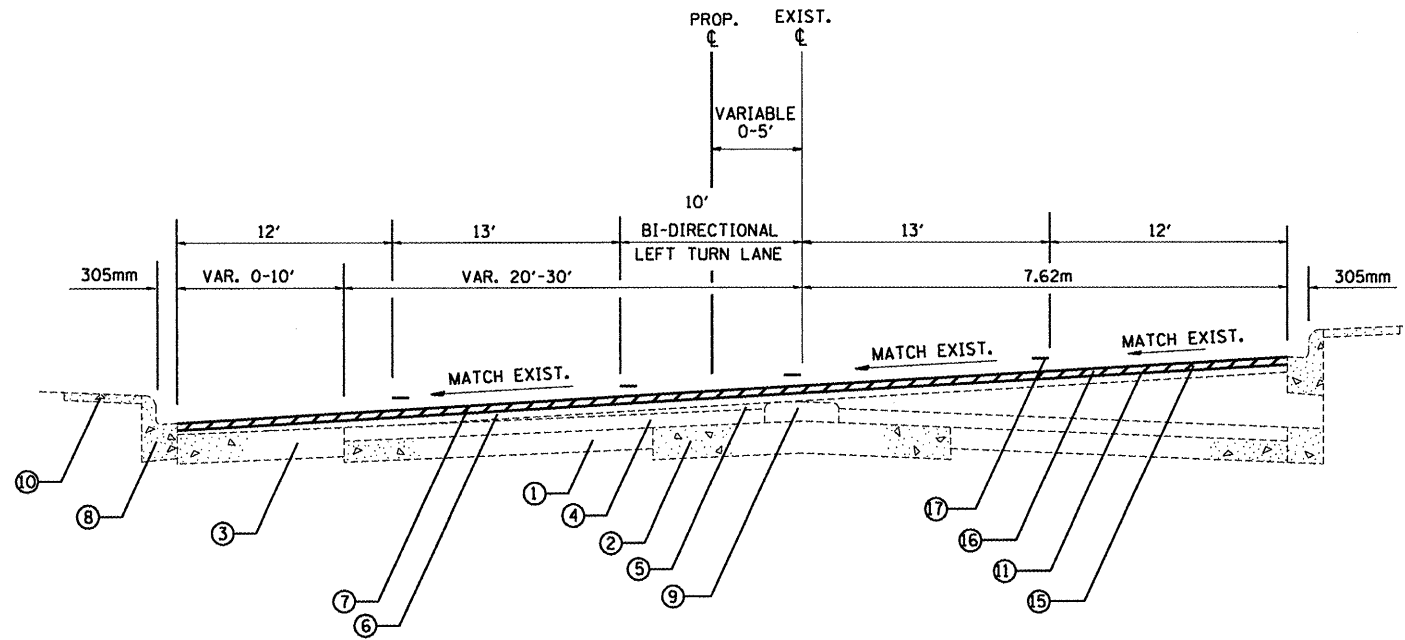
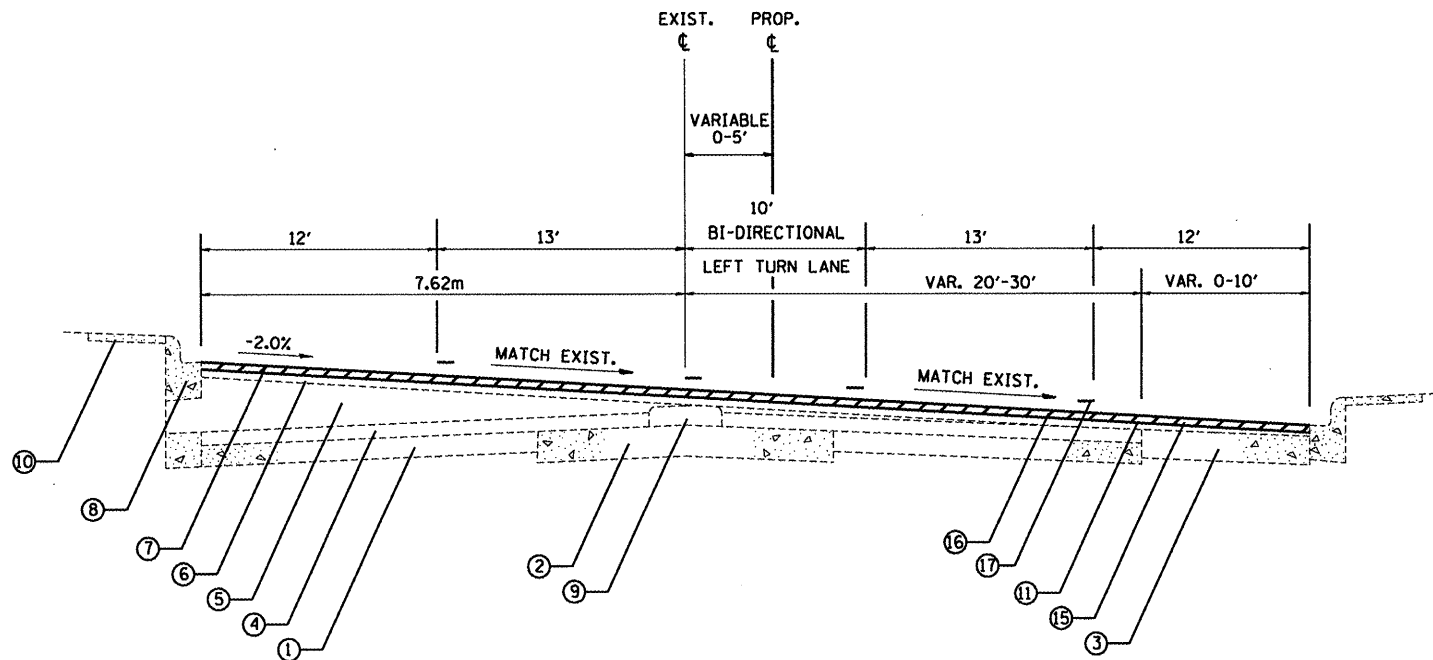


F.A.P. RTE.	SECTION	COUNTY	TOTAL SHEETS	SHEET NO.
693		TAZEWELL	54	22
STA. _____		TO STA. _____		
FED. ROAD DIST. NO. _____		ILLINOIS FED. AID PROJECT		
* (10, 15RS-5, 9RS, 13RS-2, 15RS-4)				
CONTRACT NO. 68892				



PROPOSED TYPICAL SECTION WITH SUPERELEVATION ⑤

FAP 693 (IL 9/COURT ST.)
 STA. 53+23 TO STA. 57+34
 SUPER ATTAINED STA. 53+25 TO 54+43
 FULL SUPER STA. 54+43 TO 55+02
 SUPER RETURNED STA. 55+02 TO 57+34



PROPOSED TYPICAL SECTION WITH SUPERELEVATION ⑥

* SUPERELEVATION INCLUDES BOTH HORIZONTAL CURVES AT END OF JOB

FAP 693 (IL 9/COURT ST.)
 STA. 61+46± TO STA. 68+82±

* SUPER ATTAINED STA. 61+46 TO 63+84
 FULL SUPER STA. 63+84 TO 66+54
 SUPER RETURNED STA. 66+54 TO 68+82

LEGEND	
(THIS SHEET ONLY)	
①	EXIST. PCC BASE COURSE
②	EXIST. PCC PAVEMENT
③	EXIST. PCC BASE COURSE WIDENING
④	EXIST. BIT. OVERLAY
⑤	EXIST. BIT. CONCRETE LEV. BINDER, VAR. THICKNESS
⑥	EXIST. BIT. CONCRETE BINDER COURSE
⑦	EXIST. BIT. CONCRETE SURFACE COURSE
⑧	EXIST. COMB. CC&G
⑨	EXIST. CONC. CHATTER MEDIAN
⑩	EXIST. PCC SIDEWALK
⑪	EXIST. AREA REFL. CR. CONTROL
⑮	PROP. HMA SURF. REM. 1/2"
⑯	PROP. POLY HMA SURF. CSE. MIX E, N70, 1/2"
⑰	PROP. EPOXY PAVEMENT MARKINGS

PROP. HMA SURF. REM. 1/2"

REVISIONS	
NAME	DATE

ILLINOIS DEPARTMENT OF TRANSPORTATION
 PROPOSED TYPICAL SECTIONS
 FAP 693
 IL 9/COURT STREET
 DRAWN BY _____
 CHECKED BY _____
 DATE _____

DATE
 DGN-ONLY