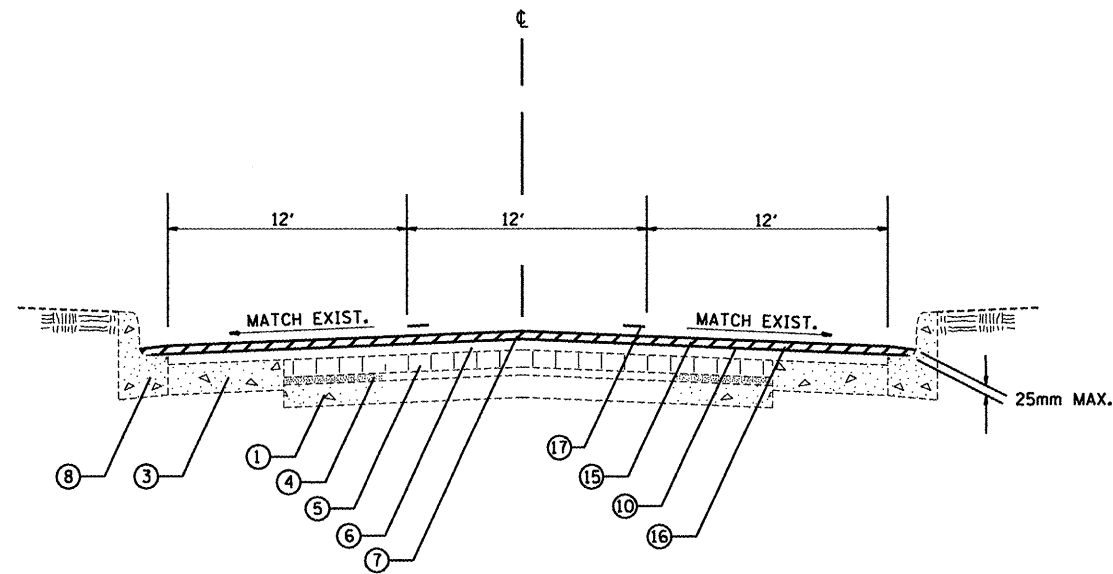
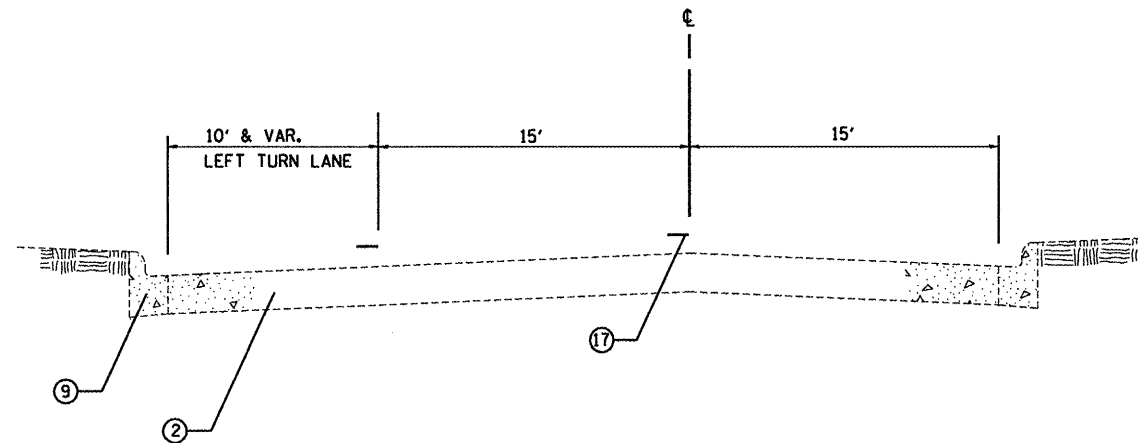


F.A.R. RTE.	SECTION	COUNTY	TOTAL SHEETS	SHEET NO.
693	*	TAZEWELL	54	20
STA.		TO STA.		
FED. ROAD DIST. NO.		ILLINOIS FED. AID PROJECT		
*10, 15RS-5, 9RS, 13RS-2, 15RS-4				
CONTRACT NO. 68892				



PROPOSED TYPICAL SECTION ①
MARGARET ST.
STA. 109+70 TO STA. 132+95



PROPOSED TYPICAL SECTION ②
MARGARET ST. (S-CURVE)
STA. 132+95 TO STA. 14+97

LEGEND
(THIS SHEET ONLY)

- ① — EXIST. PCC BASE COURSE
- ② — EXIST. PCC PAVEMENT
- ③ — EXIST. PCC BASE COURSE WIDENING
- ④ — EXIST. FINE AGGREGATE BASE
- ⑤ — EXIST. BRICK PAVEMENT
- ⑥ — EXIST. BIT. OVERLAY
- ⑦ — EXIST. BIT. CONCRETE SURFACE COURSE
- ⑧ — EXIST. COMB. CC&G
- ⑨ — EXIST. COMB. CC&G
- ⑩ — PROP. AREA REFL. CR. CONTROL, TY. A (E.O.P. TO E.O.P.)

- ⑮ — PROP. HMA SURF. REM. 1/2"
- ⑯ — PROP. POLY HMA SURF. CSE. MIX E, N70, 1/2"
- ⑰ — PROP. EPOXY PAVEMENT MARKINGS

- PROP. HMA SURF. REM. 1/2"
- EXIST. BRICK PAVEMENT

REVISIONS	
NAME	DATE

ILLINOIS DEPARTMENT OF TRANSPORTATION
PROPOSED TYPICAL SECTIONS
FAP 693
IL 9/COURT STREET

DATE _____ DRAWN BY _____
CHECKED BY _____

\$\$\$DATE\$\$\$
DGN-ONLY