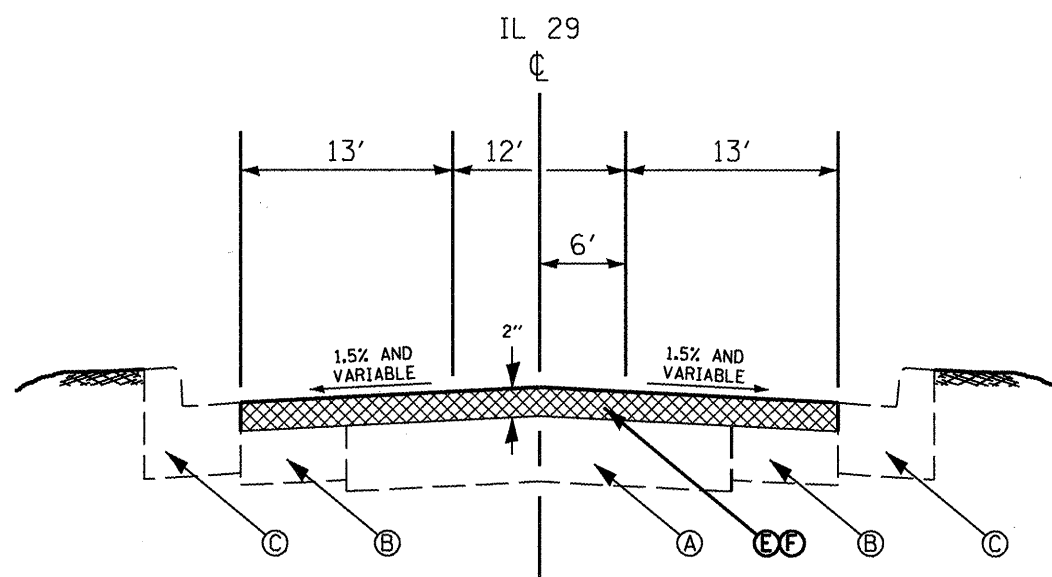


STA. 51+60 TO STA. 59+30

- (A) EXISTING PAVEMENT
- (B) EXISTING WIDENING
- (C) EXISTING CURB & GUTTER
- (D) EXISTING SHOULDER
- (E) PROPOSED HMA SURFACE REMOVAL 2"
- (F) PROPOSED HMA SURFACE COURSE, MIX "E", N70 2"
- (G) PROPOSED HMA SURFACE (SHOULDER) MIX "C", N50 2"
- (H) PROPOSED AGGREGATE SHOULDER, TYPE B (WEDGE)



STA. 59+30 TO STA. 77+05

FILE NAME = masterplans.dgn	USER NAME = swisherdh	DESIGNED -	REVISED -	STATE OF ILLINOIS DEPARTMENT OF TRANSPORTATION	IL 29 TYPICAL SECTIONS		F.A.P. RTE.	SECTION	COUNTY	TOTAL SHEETS	SHEET NO.
	PLOT SCALE = 40.0000' / IN.	DRAWN -	REVISED -				669/ 693	(10,15)RS-5,9RS, 13RS-2,15RS-4	TAZEWELL	54	10
	PLOT DATE = 4/18/2009	CHECKED -	REVISED -				CONTRACT NO. 68892				
	DATE -	REVISED -		SHEET NO. 1 OF SHEETS		STA. 51+60 TO STA. 77+05	ILLINOIS FED. AID PROJECT				