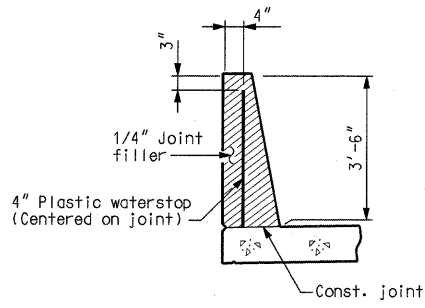
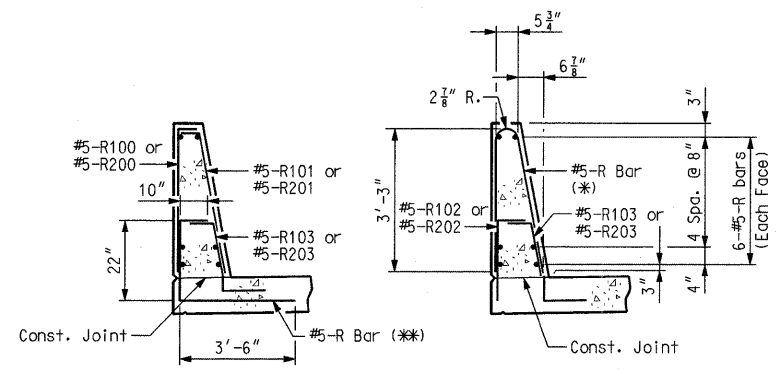


FILLED JOINT DETAIL



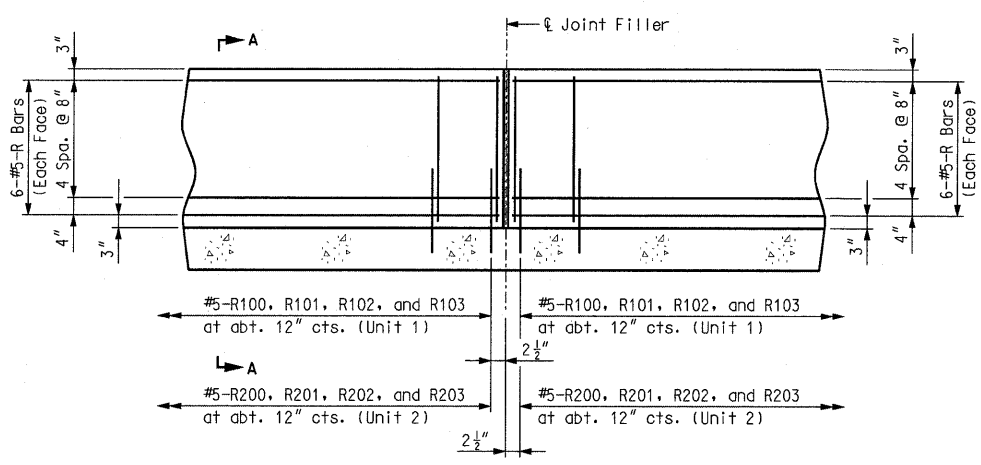
DETAILS OF PLASTIC WATERSTOP

Notes:
Plastic waterstop shall be placed in all filled joints - lower side barriers only.
Cost of plastic waterstop, complete-in-place, will be considered completely covered by the contract unit price for Barrier Curb (Type D).

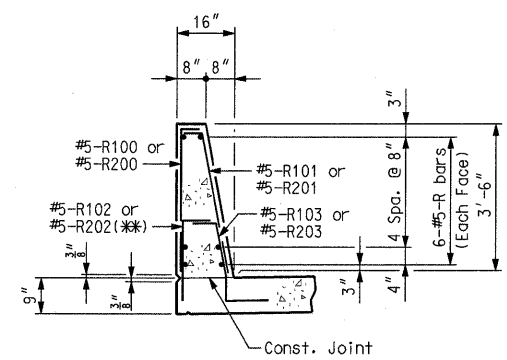


R-BAR PERMISSIBLE ALTERNATE SHAPES

(*) The R100 and R101 or R200 and R201 bar combination may be furnished as one bar, as shown, at the contractor's option. (All dimensions are out to out.)
(**) The R102 or R102 bar and #5 bottom transverse slab bar in cantilever (P/S panels only) combination may be furnished as one bar as shown, at the contractor's option.

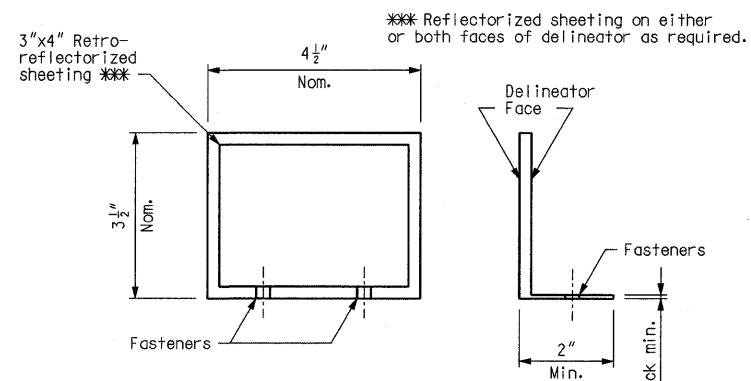


PART ELEVATION
(Cast-in-place Conventional Forming Option)



PART SECTION A-A

Notes:
Use a minimum lap of 2'-11" for #5 horizontal barrier curb (Type D) bars.
The cross-sectional area above the slab = 3.49 sq. ft.



DELINEATOR DETAILS

Notes:
Concrete in the barrier curb (Type D) shall be Class B-1. Top of barrier curb (Type D) shall be built parallel to grade with barrier curb joints normal to grade.
All exposed edges of barrier curb (Type D) shall have either a 1/2" radius or a 3/8" bevel, unless otherwise noted.
Payment for all concrete and reinforcement, complete-in-place, will be completely covered by the contract unit price for Barrier Curb (Type D) per linear foot.
Measured length includes sections at modular expansion joints with reinforcing steel provided under this contract, but formed and poured by others.
Measurement of Barrier Curb (Type D) is to the nearest linear foot for each structure, measured along the outside top of slab from end of slab to end of slab.
Concrete traffic barrier delineators shall be placed on top of the Barrier Curb (Type D) as shown in the Delineator Details and in accordance with Sec 617. Concrete traffic barrier delineators will be considered completely covered by the contract unit price for "Barrier Curb (Type D)".
The curb shall be cured by application of Type 1-D or Type 2 Liquid Membrane-Forming Compound in accordance with Sec 1055. Surface sealing for concrete in accordance with Sec 703 is not required. Application of linseed oil at the contractor's expense is permitted.