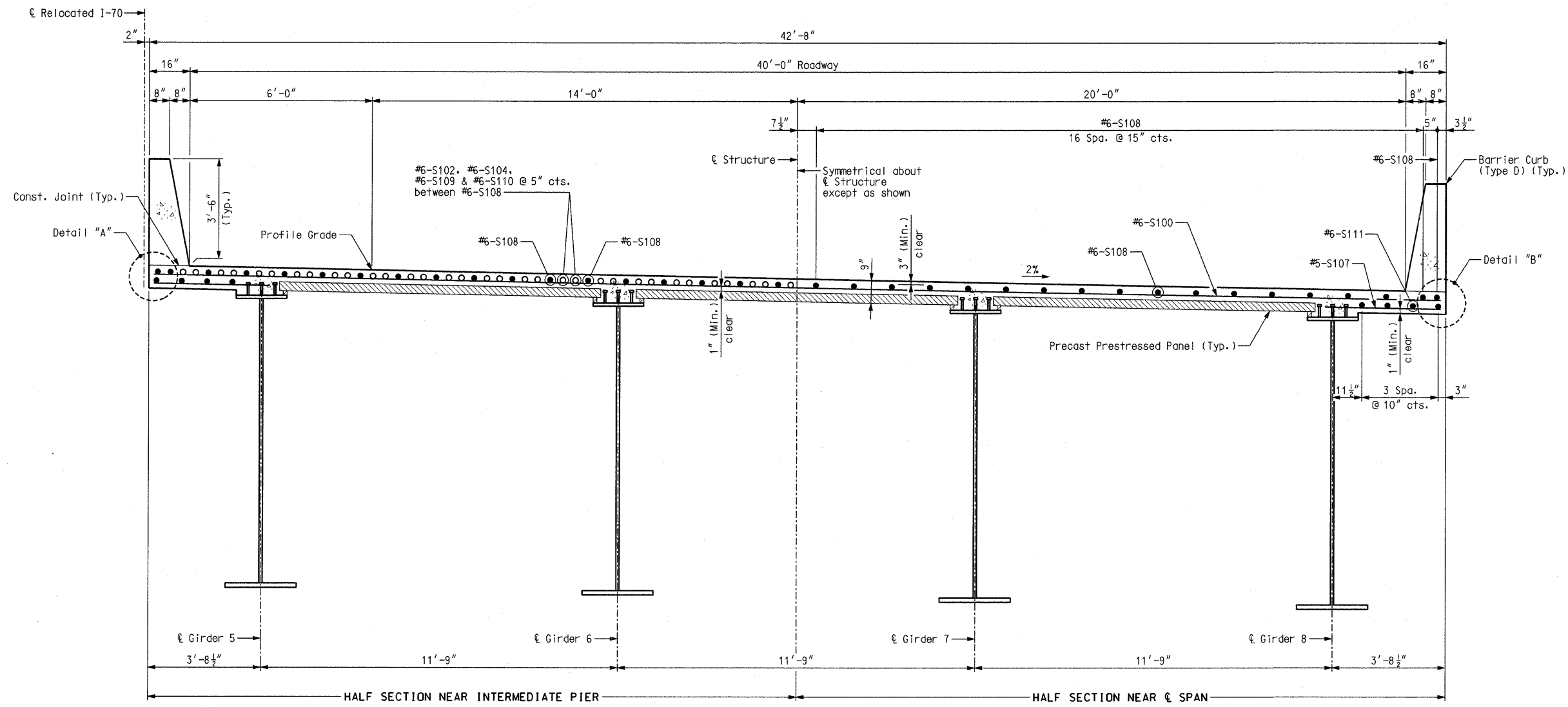
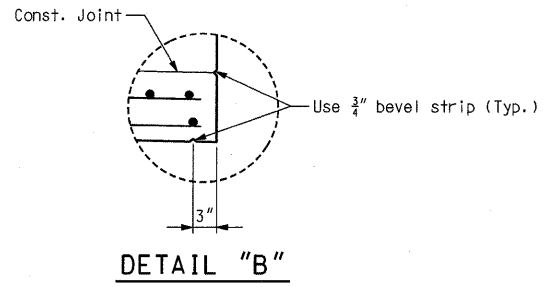
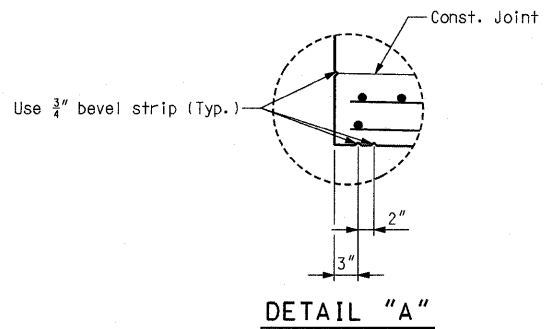


F.A. ROUTE	SECTION
999	82-1B-2
FED. AID PROJECT	ILLINOIS
COUNTY	ST. CLAIR

USER NAME = Jjolliff
PLOT SCALE = *SCALE*
PLOT DATE = 4/14/2010
DESIGNED - HNTB
CHECKED - CMT
DRAWN - CMT / HNTB
REVISED -
REVISED -
REVISED -
REVISED -



TYPICAL BRIDGE SECTION



Notes:
 Longitudinal slab dimensions are measured horizontally.
 For slab pouring sequence, see Sheet No. 106.
 For theoretical slab haunch, see Sheet Nos. 68 and 69.
 For details and reinforcement of barrier curbs not shown, see Sheet Nos. 109 thru 117.
 For details of precast panels, see Sheet No. 101.
 For plan of slab showing reinforcement, see Sheet Nos. 92 and 93.

Note: This drawing is not to scale. Follow dimensions.

Sheet No. 103 of 152

SLAB CROSS SECTION EB - UNIT 1

Detailed JUL 2009
 Checked JUL 2009

STATE OF ILLINOIS DEPARTMENT OF TRANSPORTATION	ILLINOIS APPROACH STRUCTURE FOR NEW I-70 MISSISSIPPI RIVER BRIDGE
	MISSOURI HIGHWAYS AND TRANSPORTATION COMMISSION

HNTB
 715 KIRK DRIVE
 KANSAS CITY, MO 64105
 TELEPHONE (816) 472-1201
 CERTIFICATE OF AUTHORITY
 NO. 001270

CMT
 CRAWFORD, MURPHY & TILLY, INC.
 2750 WEST WASHINGTON STREET
 SPRINGFIELD, IL 62702
 TELEPHONE (217) 787-8050
 ENGINEERING CORPORATION - 000631