

CONTRACT NO. 76D61	
F.A. ROUTE	SECTION
999	82-1B-2
FED. AID PROJECT	ILLINOIS
COUNTY	ST. CLAIR
USER NAME = jjo111ff	
PLOT SCALE = #SCALE#	
PLOT DATE = 4/14/2010	
DESIGNED -	HNTB
CHECKED -	CMT
DRAWN -	CMT / HNTB
REVISED -	
REVISED -	
REVISED -	

ILLINOIS APPROACH STRUCTURE
FOR NEW I-70 MISSISSIPPI RIVER BRIDGE

STATE OF ILLINOIS
DEPARTMENT OF TRANSPORTATION

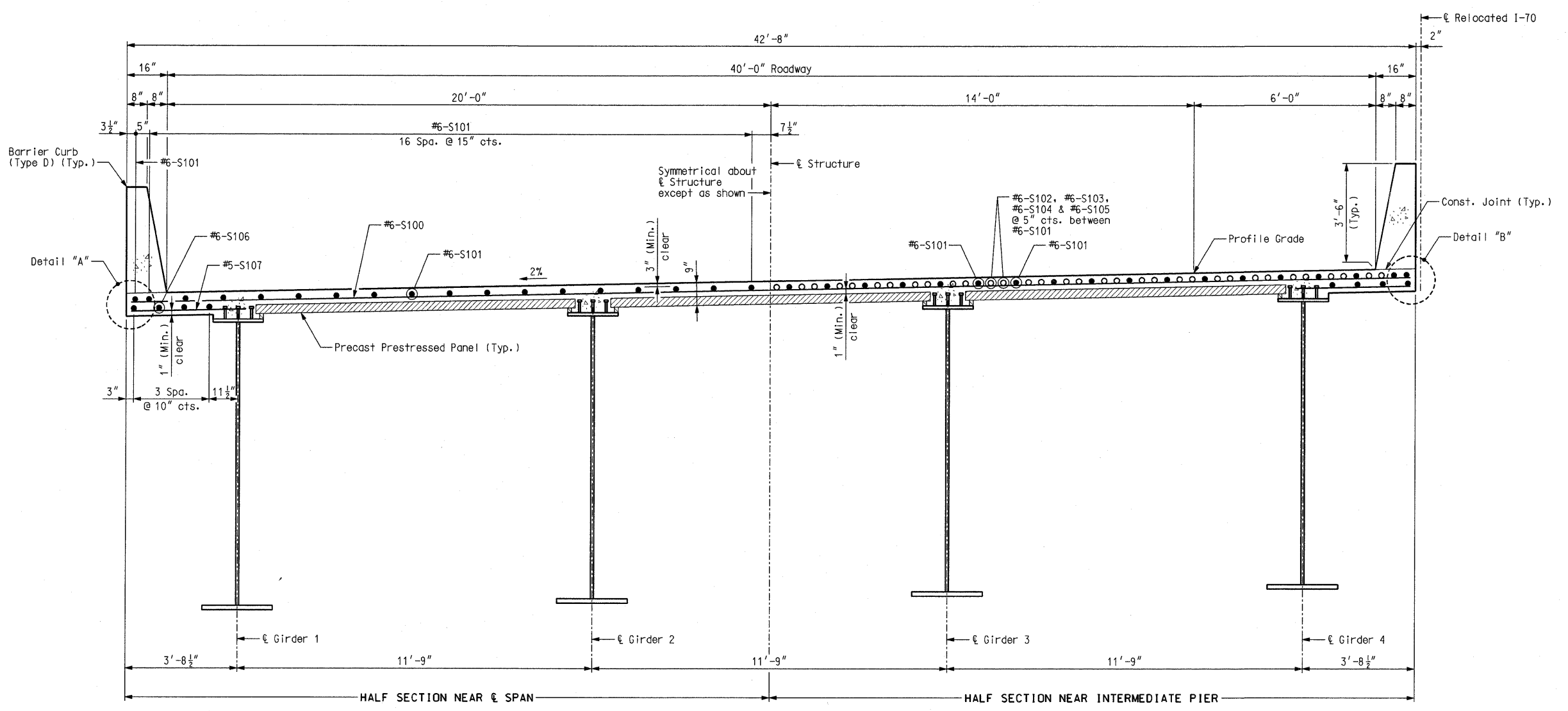
MISSOURI HIGHWAYS
AND TRANSPORTATION COMMISSION

HNTB

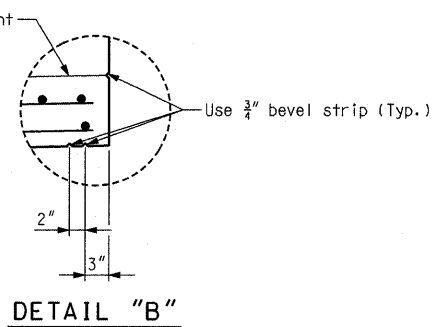
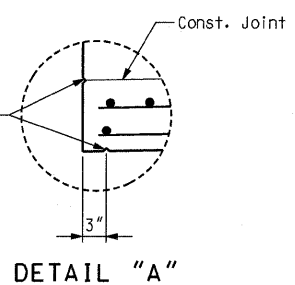
715 KIRK DRIVE
KANSAS CITY, MO 64105
TELEPHONE (816) 472-1201
CERTIFICATE OF AUTHORITY
NO. 001270

CMT

CRAWFORD, MURPHY & TILLY, INC.
2750 WEST WASHINGTON STREET
SPRINGFIELD, IL 62702
TELEPHONE (217) 787-8050
ENGINEERING CORPORATION - 000631



TYPICAL BRIDGE SECTION



Notes:
 Longitudinal slab dimensions are measured horizontally.
 For slab pouring sequence, see Sheet No. 106.
 For theoretical slab haunch, see Sheet Nos. 66 and 67.
 For details and reinforcement of barrier curbs not shown, see Sheet Nos. 109 thru 117.
 For details of precast panels, see Sheet No. 101.
 For plan of slab showing reinforcement, see Sheet Nos. 90 and 91.

SLAB CROSS SECTION WB - UNIT 1

Detailed JUL 2009
Checked JUL 2009

Note: This drawing is not to scale. Follow dimensions.

Sheet No. 102 of 152