

ILLINOIS APPROACH STRUCTURE
FOR NEW I-70 MISSISSIPPI RIVER BRIDGE

STATE OF ILLINOIS
DEPARTMENT OF TRANSPORTATION

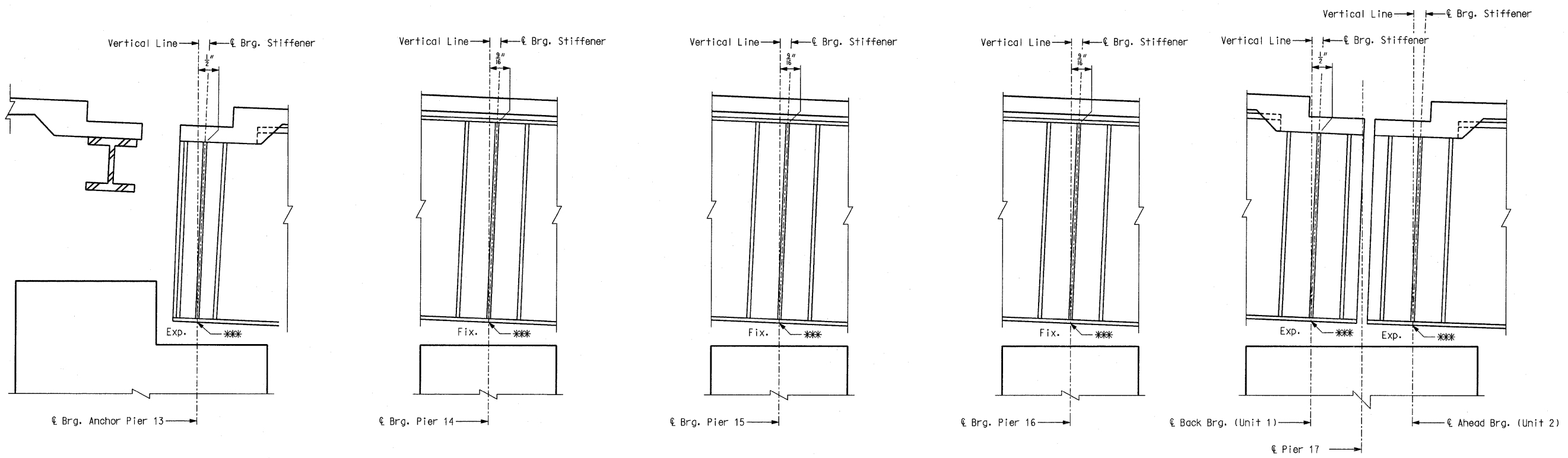
MISSOURI HIGHWAYS
AND TRANSPORTATION COMMISSION

HNTB

715 KIRK DRIVE
KANSAS CITY, MO 64105
TELEPHONE (816) 472-1201
CERTIFICATE OF AUTHORITY
NO. 001270

CMT

CRAWFORD, MURPHY & TILLY, INC.
2750 WEST WASHINGTON STREET
SPRINGFIELD, IL 62702
TELEPHONE (217) 787-8050
ENGINEERING CORPORATION - 000631



PART LONGITUDINAL SECTION

Notes:
*** Point of Rotation located at bottom of flange.
Dimensions shown are the horizontal dimension at the top of web.

PART LONGITUDINAL SECTION - UNIT 1 EB AND WB