

F.A. ROUTE	SECTION
999	82-1B-2
FED. AID PROJECT	ILLINOIS
COUNTY	ST. CLAIR
USER NAME = Jjelliff	
PLOT SCALE = #SCALE#	
PLOT DATE = 4/14/2010	
DESIGNED -	HNTB
CHECKED -	CMT
DRAWN -	CMT / HNTB
REVISED -	
REVISED -	
REVISED -	
REVISED -	

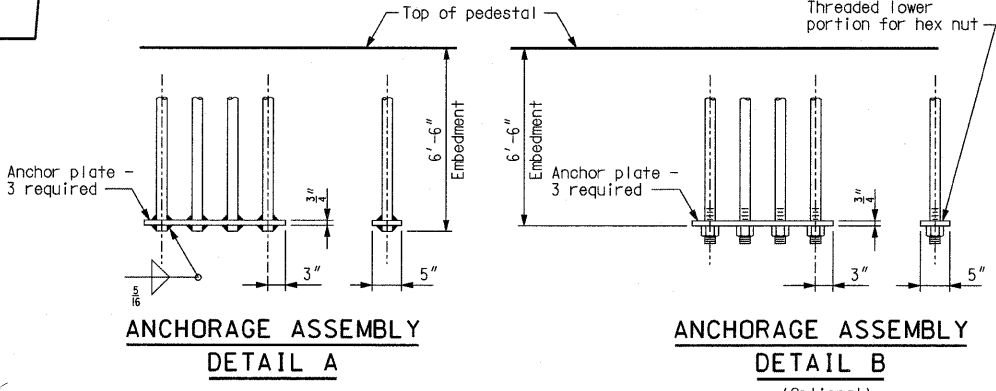
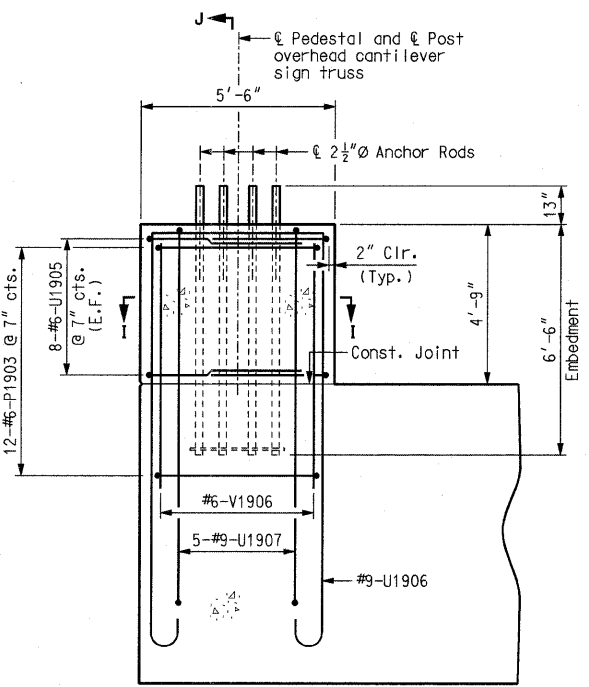
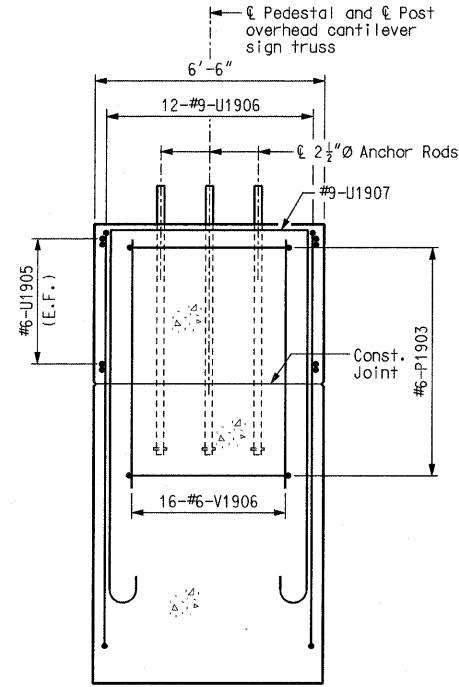
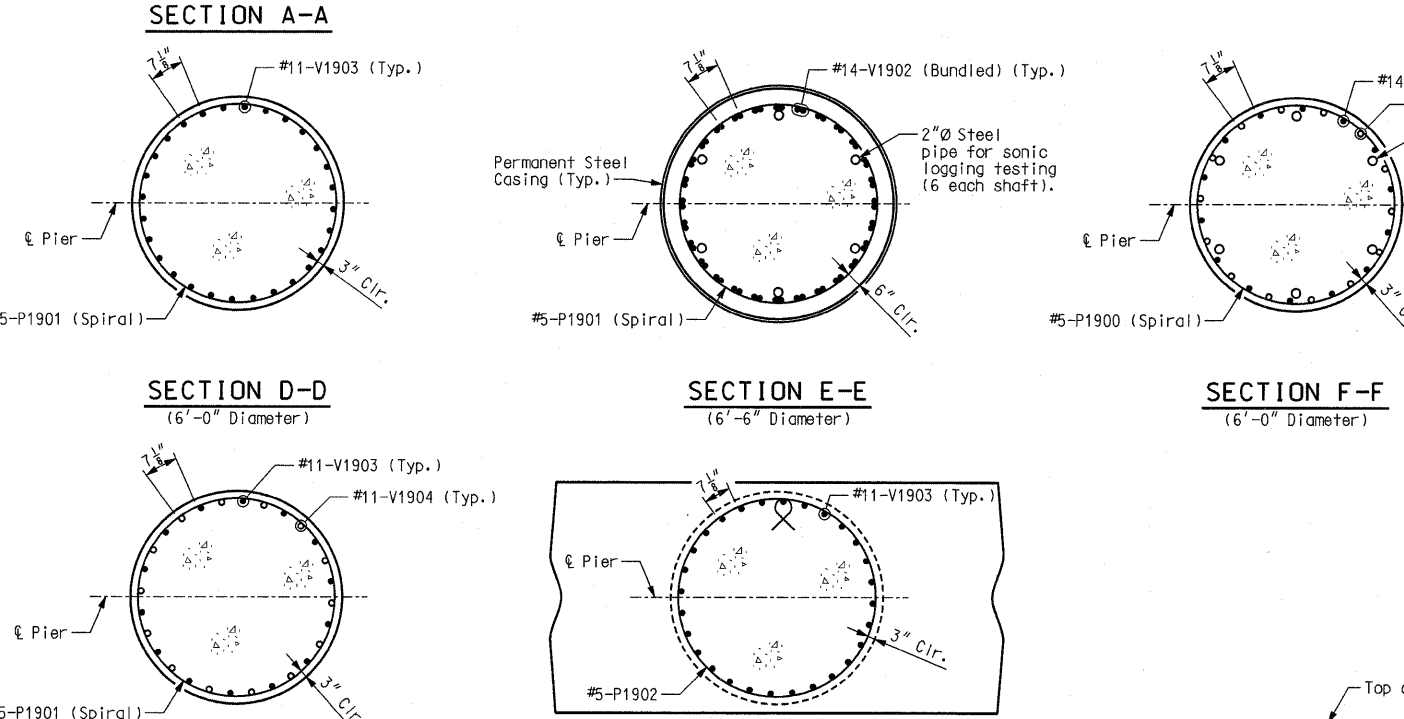
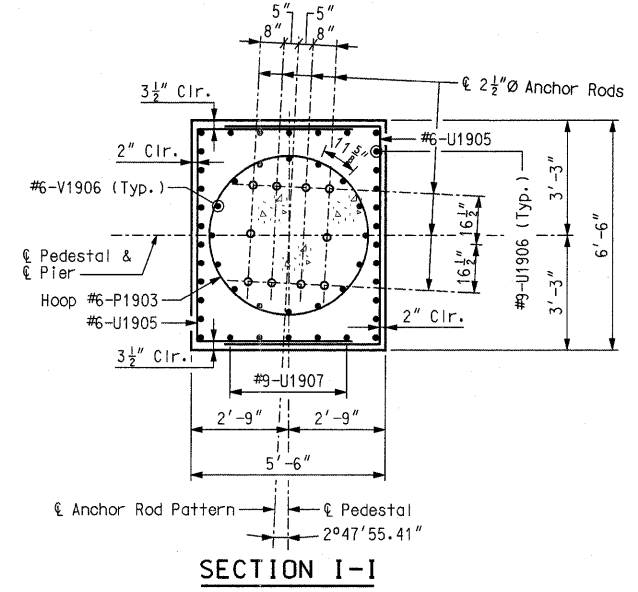
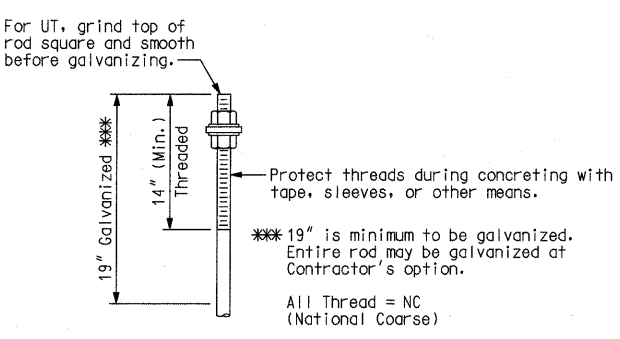
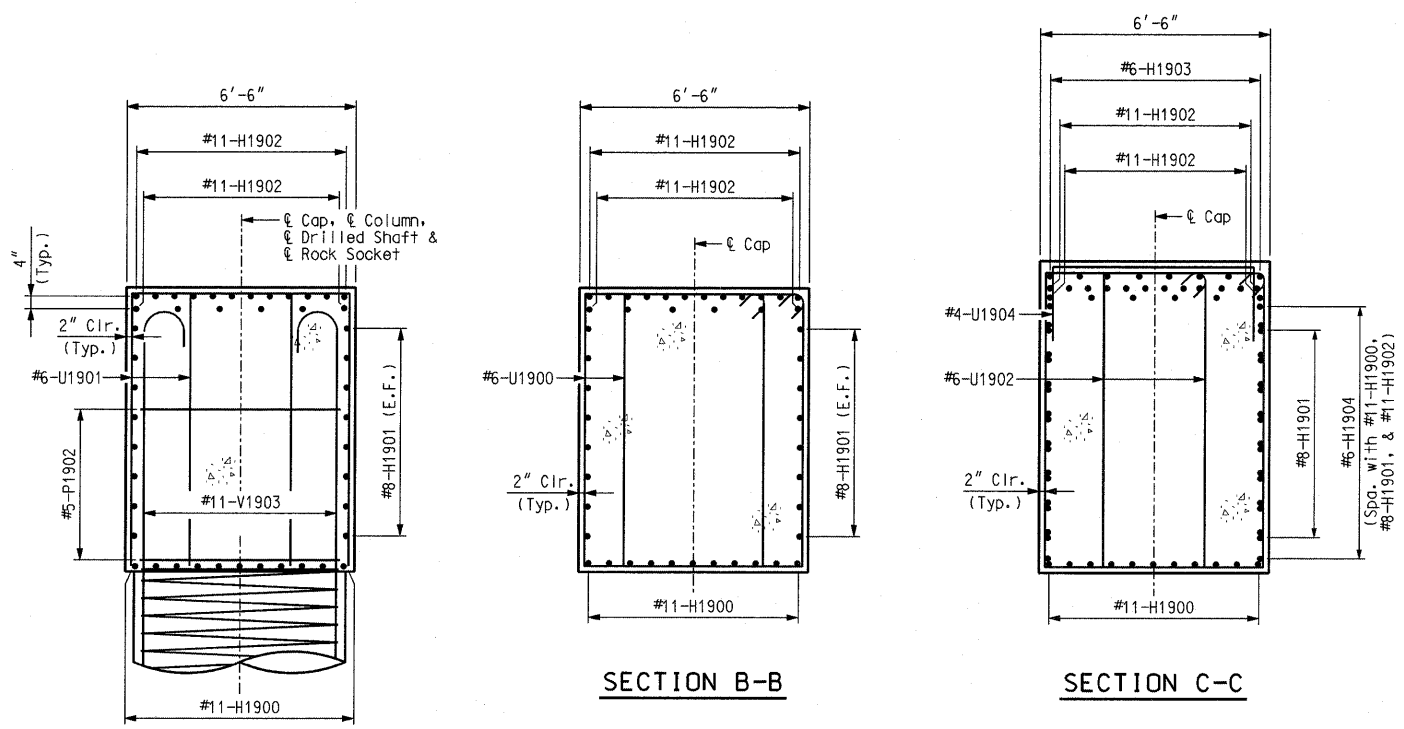
ILLINOIS APPROACH STRUCTURE FOR NEW I-70 MISSISSIPPI RIVER BRIDGE

STATE OF ILLINOIS  
DEPARTMENT OF TRANSPORTATION

MISSOURI HIGHWAYS AND TRANSPORTATION COMMISSION

**HNTB**  
715 KIRK DRIVE  
KANSAS CITY, MO 64105  
TELEPHONE (816) 472-1201  
CERTIFICATE OF AUTHORITY NO. 001270

**CMT**  
CRAWFORD, MURPHY & TILLY, INC.  
2750 WEST WASHINGTON STREET  
SPRINGFIELD, IL 62702  
TELEPHONE (217) 787-8050  
ENGINEERING CORPORATION - 000631



Item	Quantity
Drilled Shafts (6 ft. 6 in. Dia.)	linear foot 249.0
Rock Sockets (6 ft. 0 in. Dia.)	linear foot 48.0
Supplementary Television Camera Inspection	each 1
Foundation Inspection Holes	linear foot 68.0
Sonic Logging Testing	each 2
Class B Concrete (Substructure)	cu. yard 164.1
Reinforcing Steel (Bridges)	pound 163,240
Mechanical Bar Splice	each 280
Reinforcing Steel (Epoxy Coated)	pound 2,470
Non-Special Waste Disposal	cu. yard 26.2

Note: These quantities are included in the estimated quantities table on Sheet No. 7.

PIER 19 WB - DETAILS