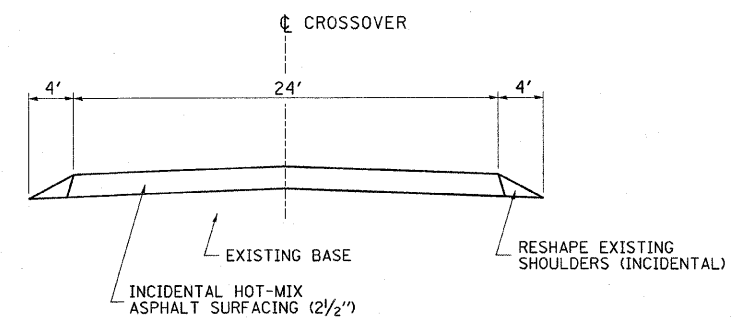


DETAIL OF MEDIAN CROSSOVER



DETAIL OF MEDIAN CROSSOVER

STA. 828+00
 STA. 928+00
 STA. 1002+50
 STA. 1056+50

NOTE: DETAILS NOT
 DRAWN TO SCALE

FILE NAME =	USER NAME = swartzrw	DESIGNED -	REVISED -	STATE OF ILLINOIS DEPARTMENT OF TRANSPORTATION	MEDIAN CROSSOVER DETAIL		F.A.P. RTE. 327	SECTION *	COUNTY LAWRENCE	TOTAL SHEETS 49	SHEET NO. 39
c:\pwork\pwork\SWARTZRW\d0138979\d7	4390-sh-t-detail.dgn	DRAWN -	REVISED -		SCALE: NA	SHEET NO. 2 OF 5 SHEETS	STA.	TO STA.	CONTRACT NO. 74390		ILLINOIS FED. AID PROJECT
	PLOT SCALE = 50.0000' / IN.	CHECKED -	REVISED -								
	PLOT DATE = 1/28/2010	DATE -	REVISED -								

* (51-24RS-3 & (51-24-2)RS-1