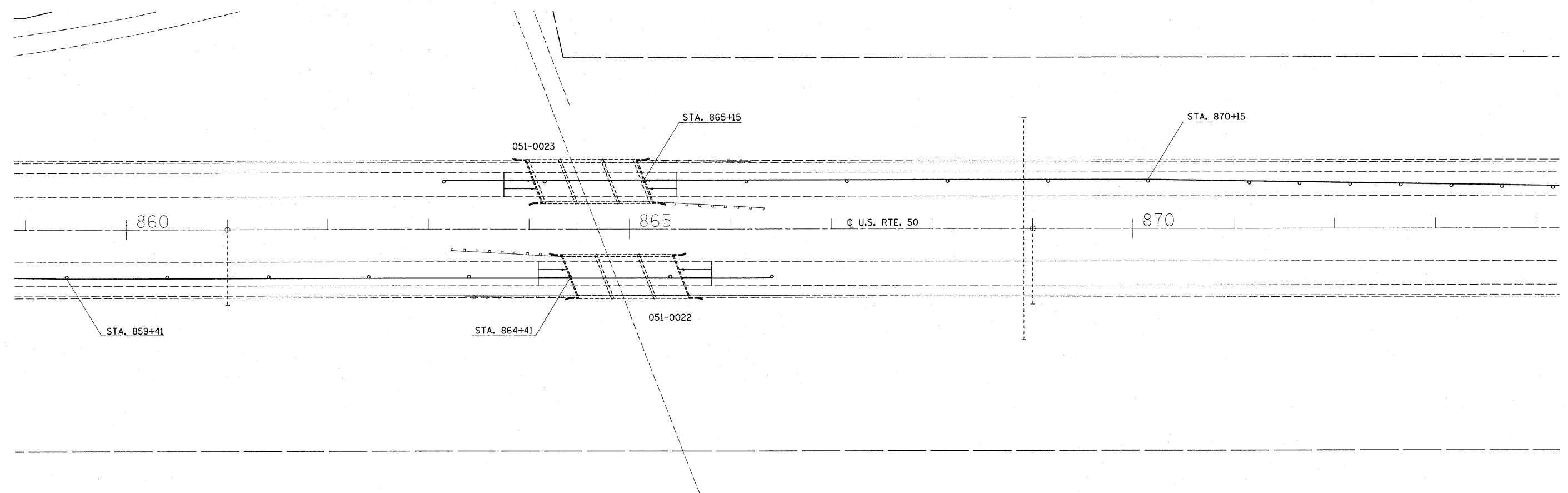


STAGE I TYPICAL



• (51-24)RS-3 & (51-24-2)RS-1

FILE NAME = c:\pwork\pwork\DOT\SWARTZRW\d0138979\d7	USER NAME = swartzrw 4390-sht-stage1.dgn	DESIGNED -	REVISED -	STATE OF ILLINOIS DEPARTMENT OF TRANSPORTATION	STAGE 1 TRAFFIC CONTROL			F.A.P. RTE. 327	SECTION •	COUNTY LAWRENCE	TOTAL SHEETS 49	SHEET NO. 33
	PLOT SCALE = 50,0000' / IN.	DRAWN -	REVISED -		SCALE: 50	SHEET NO. 2 OF 6 SHEETS	STA. 859+00 TO STA. 874+00	CONTRACT NO. 74390				
	PLOT DATE = 1/28/2010	CHECKED -	REVISED -		ILLINOIS FED. AID PROJECT							
		DATE -	REVISED -									