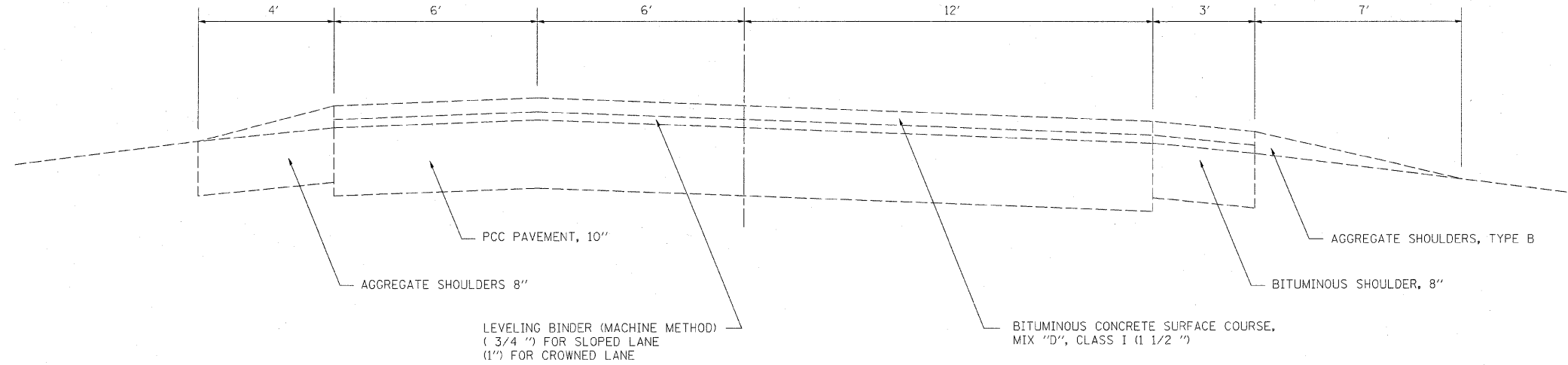


EXISTING TYPICAL CROSS SECTION

STA 806+34.43 TO STA 1063+65

NOTE: EBL SHOWN - ROTATE
ABOUT ϕ FOR WBL ON TANGENT



NOTE: NOT DRAWN TO SCALE

• (51-24)RS-3 & (51-24-2)RS-1

FILE NAME =	USER NAME = swartzw	DESIGNED -	REVISED -	STATE OF ILLINOIS DEPARTMENT OF TRANSPORTATION	TYPICAL CROSS SECTIONS			F.A.P. RTE.	SECTION	COUNTY	TOTAL SHEETS	SHEET NO.	
ca:\pw_work\pwidot\swartzw\d0136979\d774	390-shr-typicals.dgn	DRAWN -	REVISED -		SCALE: NA	SHEET NO. 1 OF 4 SHEETS	STA.	TO STA.	327	•	LAWRENCE	49	4
	PLOT SCALE = 50.0000' / IN.	CHECKED -	REVISED -		CONTRACT NO. 74390								
	PLOT DATE = 1/28/2010	DATE -	REVISED -		ILLINOIS FED. AID PROJECT								