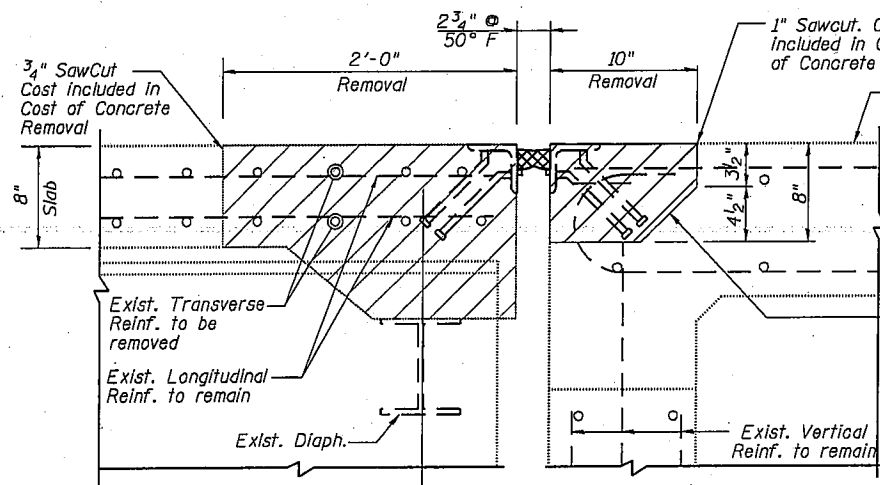


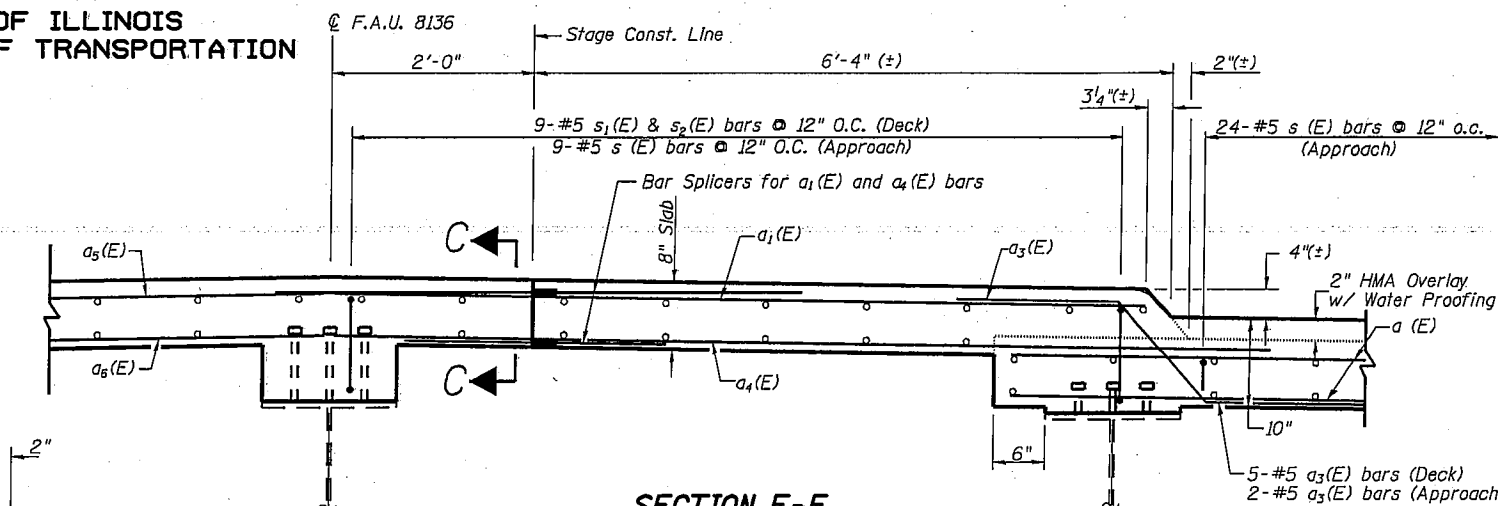
STATE OF ILLINOIS
DEPARTMENT OF TRANSPORTATION

F.A.U. 8136

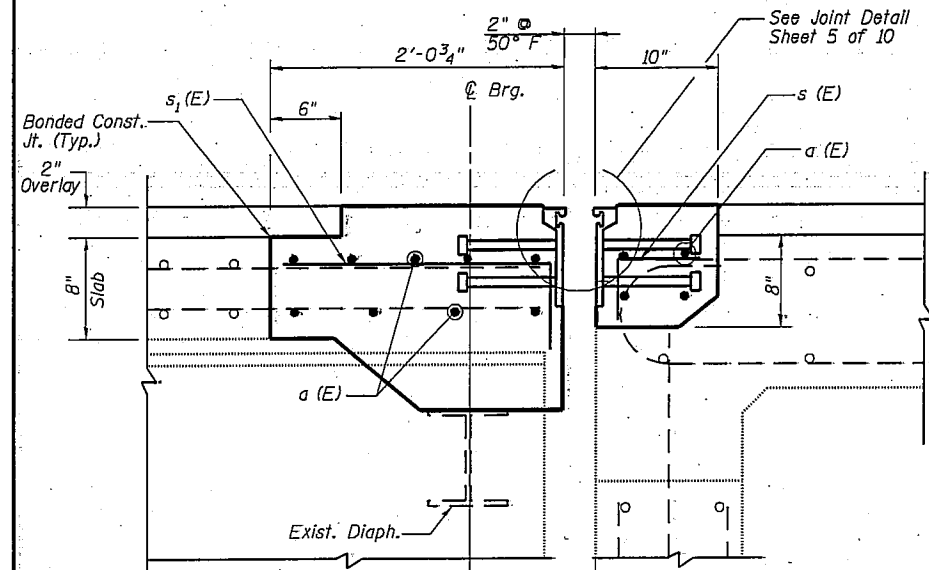


SECTION A-A
(Showing Removal at deck)
(Removal at Median Similar)

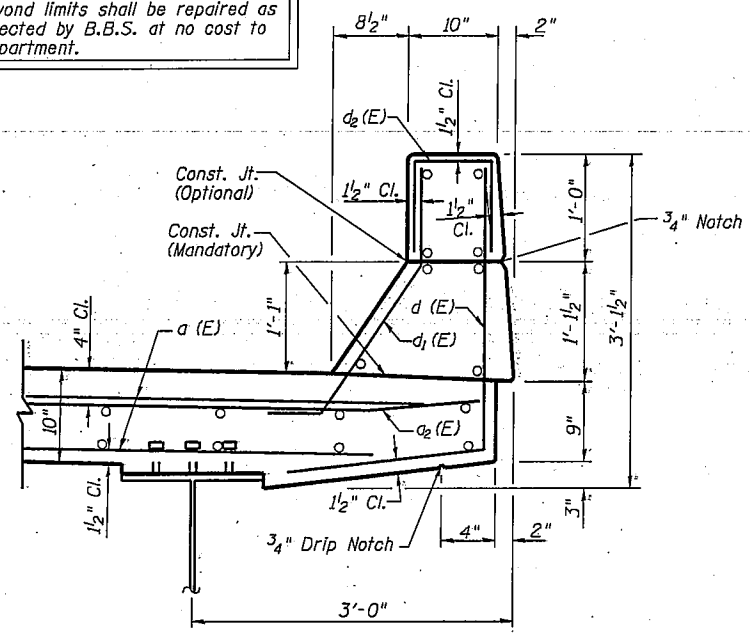
Remove concrete to line indicated as required to remove expansion joint anchorage ONLY. Contact Resident Engineer/B.B.S. if unsound concrete is discovered beyond removal lines indicated. Removal of sound concrete beyond limits shall be repaired as directed by B.B.S. at no cost to Department.



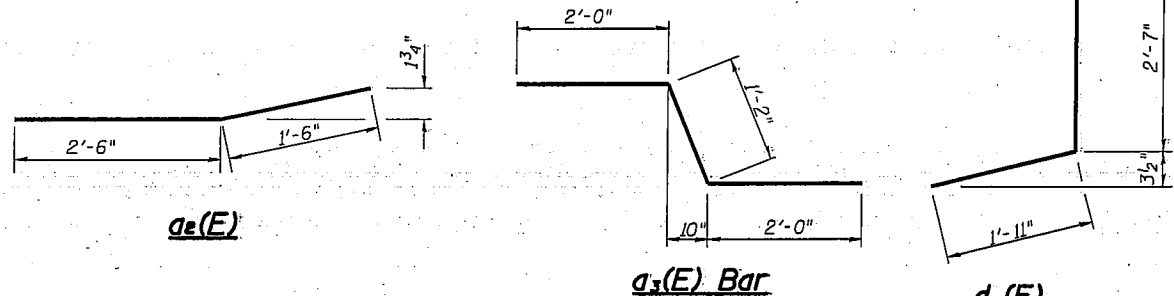
SECTION E-E
(Showing Proposed Median at Deck,
Median at approach Similar)



SECTION B-B
(Showing Proposed Section at Roadway)

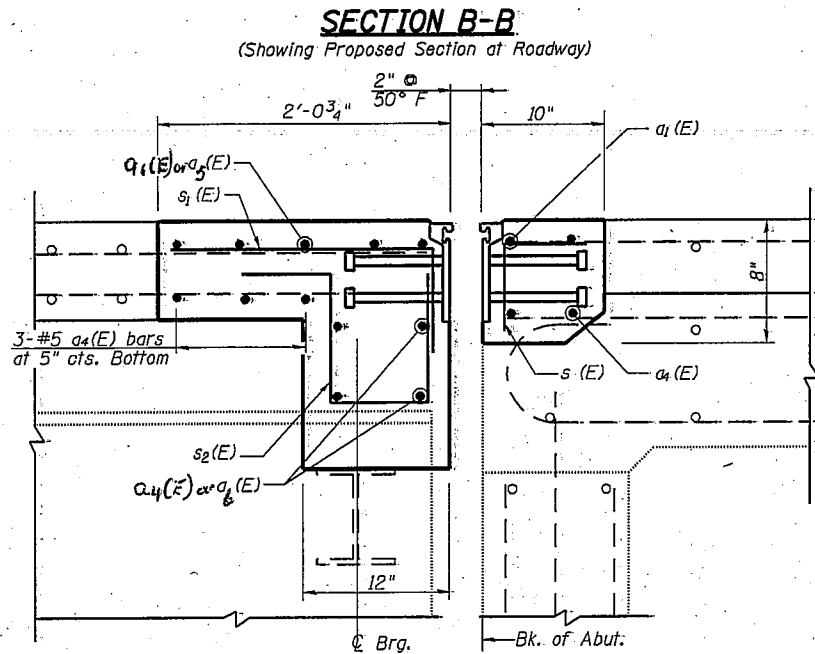


SECTION D-D
(Showing Proposed Parapet)

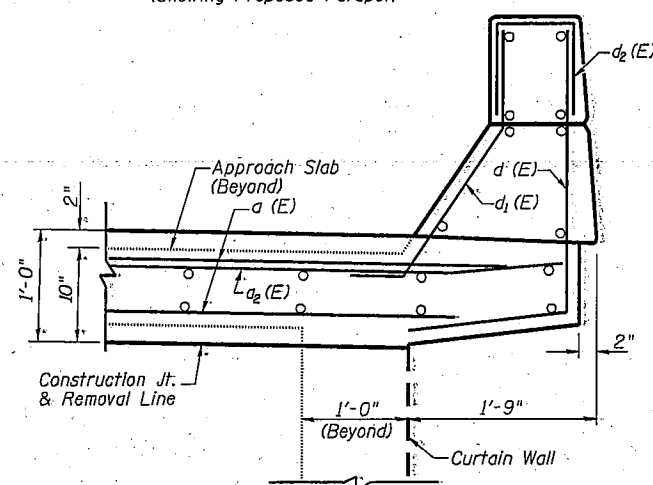


BILL OF MATERIAL
(East & West Abutments)

Bar	No.	Size	Length	Shape
a (E)	56	#5	26'-4"	—
a1(E)	14	#5	6'-3"	—
a2(E)	20	#6	4'-0"	—
a3(E)	28	#5	5'-2"	—
a4(E)	18	#5	8'-0"	—
a5(E)	14	#5	10'-1"	—
a6(E)	18	#5	12'-0"	—
d (E)	20	#4	4'-6"	—
d1(E)	20	#5	3'-3"	—
d2(E)	20	#4	2'-1"	—
s (E)	132	#5	1'-2"	—
s1(E)	132	#5	2'-9"	—
s2(E)	36	#5	3'-3"	—
Concrete Removal			Cu. Yd.	13.5
Concrete Superstructure			Cu. Yd.	15.1
Reinforcement Bars, Epoxy Coated			Pound	3240
Bar Splicers			Each	32
Protective Coat			Sq. Yd.	45



SECTION C-C
(Showing Proposed Section at Median)



SECTION F-F

NOTES:

- Any reinforcement bars that are damaged during concrete removal operations shall be repaired or replaced using an approved bar splicer or anchorage system. Cost included in the cost of Concrete Removal.
- Joint openings shall be adjusted according to Article 520.04 of the Standard Specifications when ambient temperature is other than 50° F.
- Removal of all existing expansion joints shall be included in the cost of Concrete Removal.

SHEET NO. 4 10 SHEETS	F.A.I. RTE.	SECTION	COUNTY	TOTAL SHEETS	SHEET NO.
	55	59RS-2, BR	Macoupin	100	94
FED. ROAD DIST. NO.			ILLINOIS FED. AID PROJECT		
			CONTRACT NO. 72A60		

**EAST ABUTMENT
DECK REPAIR DETAILS
STRUCTURE NO. 059-0045**