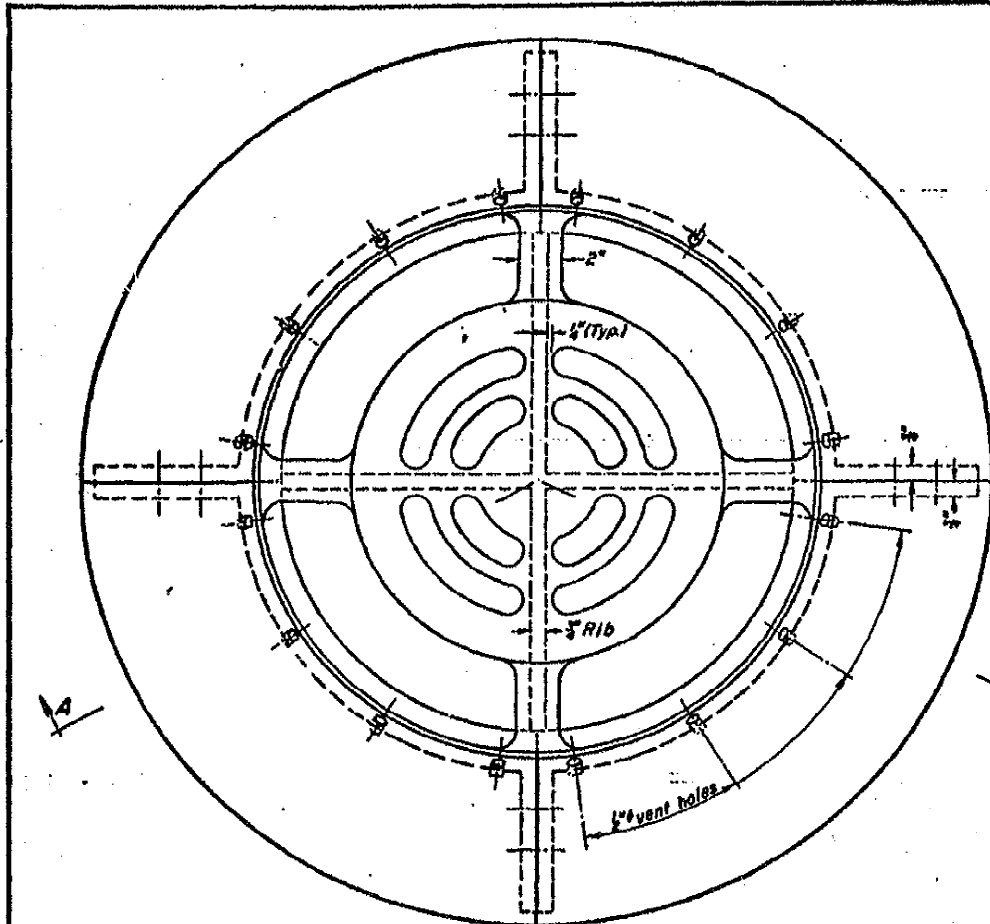


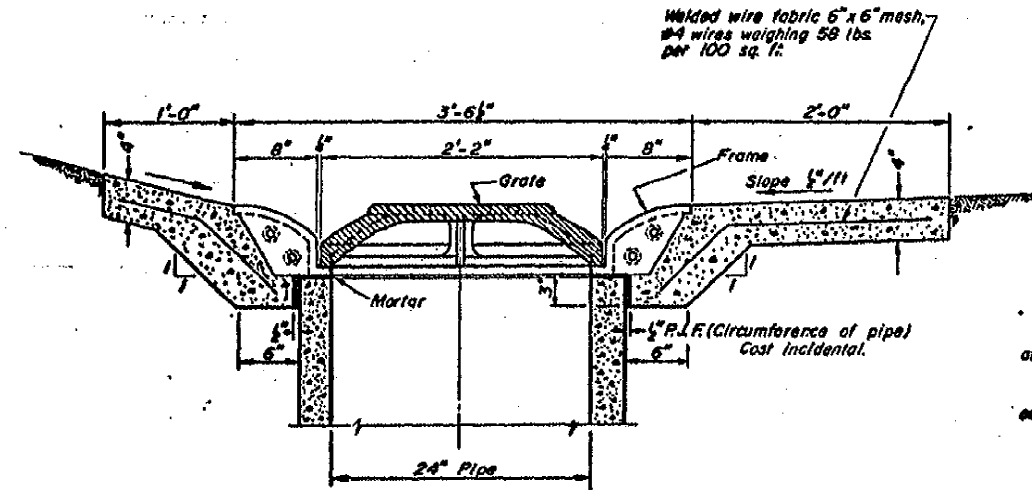
# AS BUILT FOR MEDIAN INLET

FOR INFORMATION ONLY

### STATE OF ILLINOIS DEPARTMENT OF TRANSPORTATION



PLAN

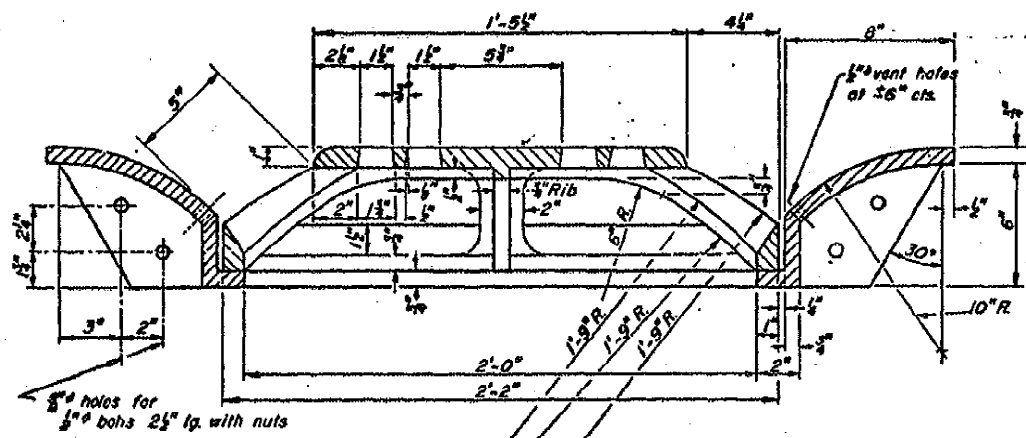


SECTION B-B

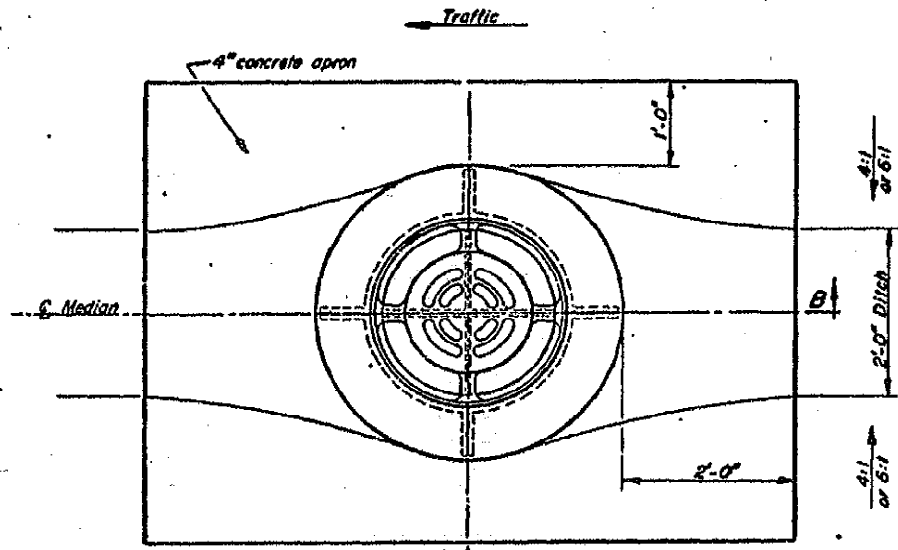
See Location Sketch below.

**GENERAL NOTES**

- Class X concrete shall be used for apron. (approx. 6 cu. yd)
- The Grate casting shall conform to Article 710.18 of the Standard Specifications. (Grade 60-40-18)
- The Frame castings shall conform to Article 710.17 of the Standard Specifications.
- Bolts and nuts shall conform to ASTM designation A307.
- The Contract Unit Price "each" for Median Inlet (2250) in place shall include the Castings, Class X Concrete and Welded Wire Fabric for apron. The 24" RCCP is not included in the "each" price.



SECTION A-A



LOCATION SKETCH

STATE OF ILLINOIS DEPARTMENT OF TRANSPORTATION	ISSUED 12-24-65
PASSED <i>[Signature]</i> Engineer of Bridge and Traffic Structures	REVISIONS
APPROVED <i>[Signature]</i> Engineer of Design	9-20-73 WMB

MEDIAN INLET for 24"  
REINFORCED CONCRETE PIPE

**STANDARD 2250-1**  
(Full Size)

B-4.02 9

PLOT DATE = 2/8/2010  
FILE NAME = c:\pva\pva\p\dot\p\ersonbr\0109678\2899\p\dot\p\ersonbr.dgn  
PLOT SCALE = 1/8"=1'-0"  
USER NAME = p\ersonbr