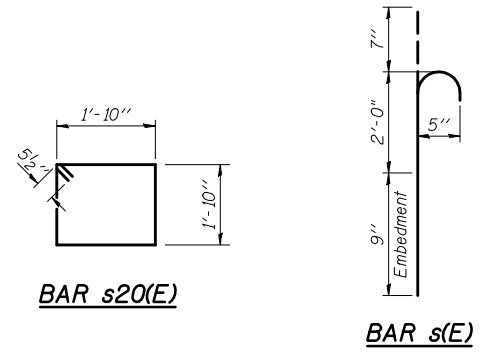
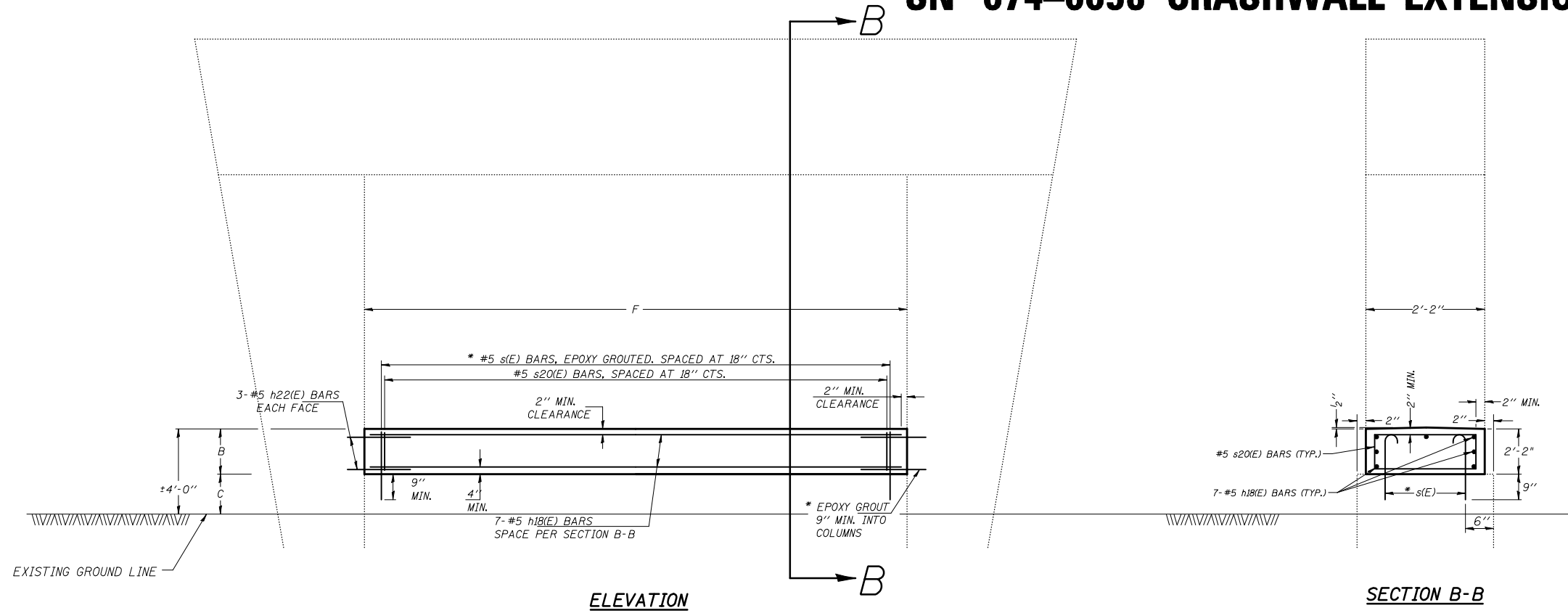


F.A.I. RTE.	SECTION	COUNTY	TOTAL SHEETS	SHEET NO.
72	*	PIATT	251	194

\* (58,74-66)&(74-67&68)RS-1

# SN 074-0058 CRASHWALL EXTENSION



### GENERAL NOTES

PLAN DIMENSIONS AND DETAILS RELATIVE TO EXISTING PLANS ARE SUBJECT TO ROUTINE VARIATIONS. THE CONTRACTOR SHALL FIELD VERIFY EXISTING DIMENSIONS AND DETAILS AFFECTING NEW CONSTRUCTION AND MAKE NECESSARY APPROVED ADJUSTMENTS PRIOR TO CONSTRUCTION OR ORDERING OF MATERIALS. SUCH VARIATIONS SHALL NOT BE CAUSE FOR ADDITIONAL COMPENSATION FOR A CHANGE IN SCOPE OF THE WORK, HOWEVER, THE CONTRACTOR WILL BE PAID FOR THE QUANTITY ACTUALLY FURNISHED BASED UPON THE UNIT PRICE BID FOR THE WORK.

THIS WORK WILL BE PAID FOR AT THE CONTRACT UNIT PRICE PER CUBIC YARD FOR CONCRETE STRUCTURES.

THE COST OF EPOXY GROUTING THREADED RODS SHALL BE INCLUDED WITH REINFORCEMENT BARS (EPOXY COATED).

REINFORCEMENT BARS SHALL CONFORM TO THE REQUIREMENTS OF ASTM A706 OR 6011L MODIFIED).

REINFORCEMENT BARS DESIGNATED (E) SHALL BE EPOXY COATED.

\* EPOXY GROUT BARS IN 9" MIN. HOLES ACCORDING TO ARTICLE 584 OF THE STANDARD SPECIFICATIONS.

CRASHWALL EXTENSION (TRAPEZOIDAL PIER)														
STRUCTURE STATION	DIMENSION			CONCRETE STRUCTURES (CU YD)	BAR				BAR					
	B (FT)	C (FT)	F (FT)		BAR	QTY	SIZE	LENGTH	LBS	BAR	QTY	SIZE	LENGTH	LBS
SN 074-0058 987+02.80	2'-2"	1'-10"	12'-0"	2.1	h18(E)	7	#5	11'-8"	85.0	h22(E)	12	#5	2'-9"	34.3
CONCRETE STRUCTURES =				2.1	LBS =				85.0	LBS =				34.3

STRUCTURE	BAR	QTY	SIZE	LENGTH	SHAPE	LBS	BAR	QTY	SIZE	LENGTH	SHAPE	LBS	
074-0058	s(E)	16	#5	3'-4"		72.1	s20(E)	8	#5	8'-3"		68.6	
						LBS =							72.1
											LBS =	68.6	
												REINFORCEMENT BARS (EPOXY COATED) =	260.0

## SN 074-0058

ILLINOIS DEPARTMENT OF TRANSPORTATION  
**Crashwall Extensions**  
 F.A.I. ROUTE 72  
 SECTION (58,74-66)&(74-67&68)RS-1  
 PIATT COUNTY  
 Sheet 2 of 7  
 SCALE: NONE  
 DATE: 12/15/09  
 DRAWN BY:  
 CHECKED BY: R.T.B.

PLOT DATE = 2/8/2010  
 FILE NAME = c:\p\c\cor\p\11001\PIERS\SNBR\_08189678\_281954e\sn1.s.dgn  
 PLOT SCALE = 1/8"=1'-0"  
 USER NAME = piersonbr