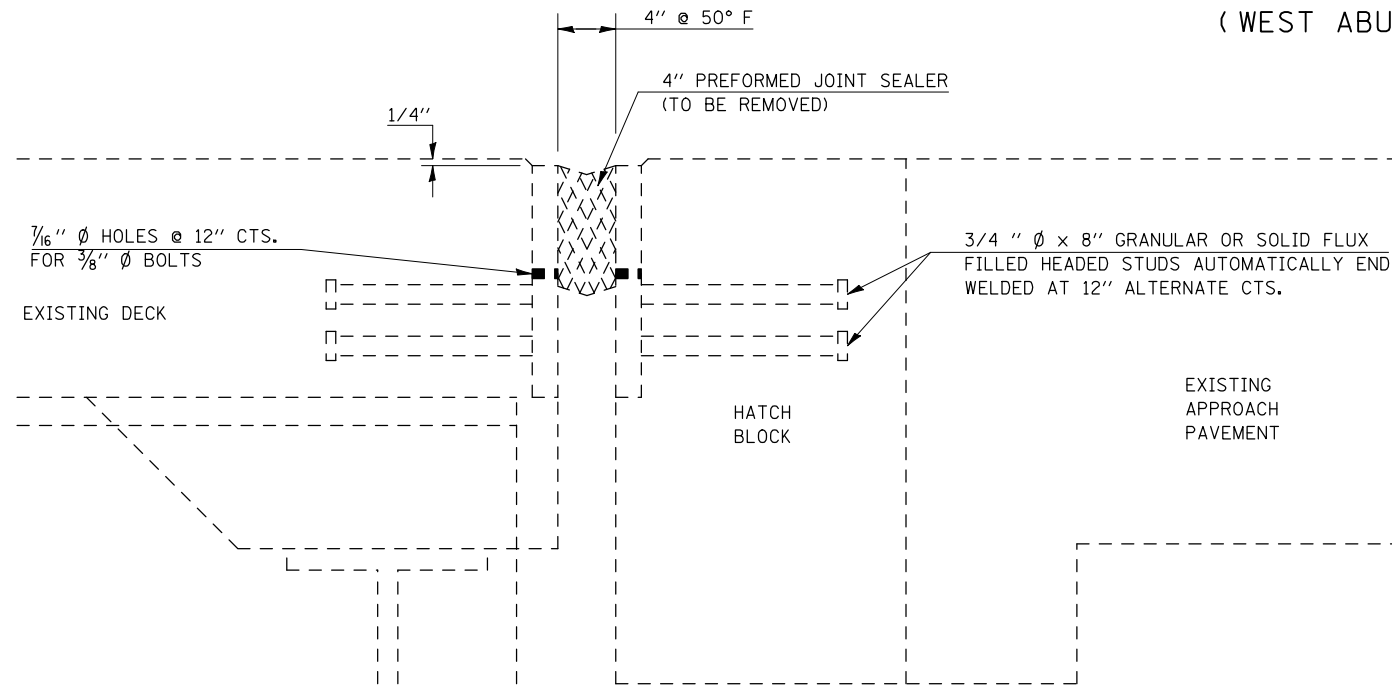


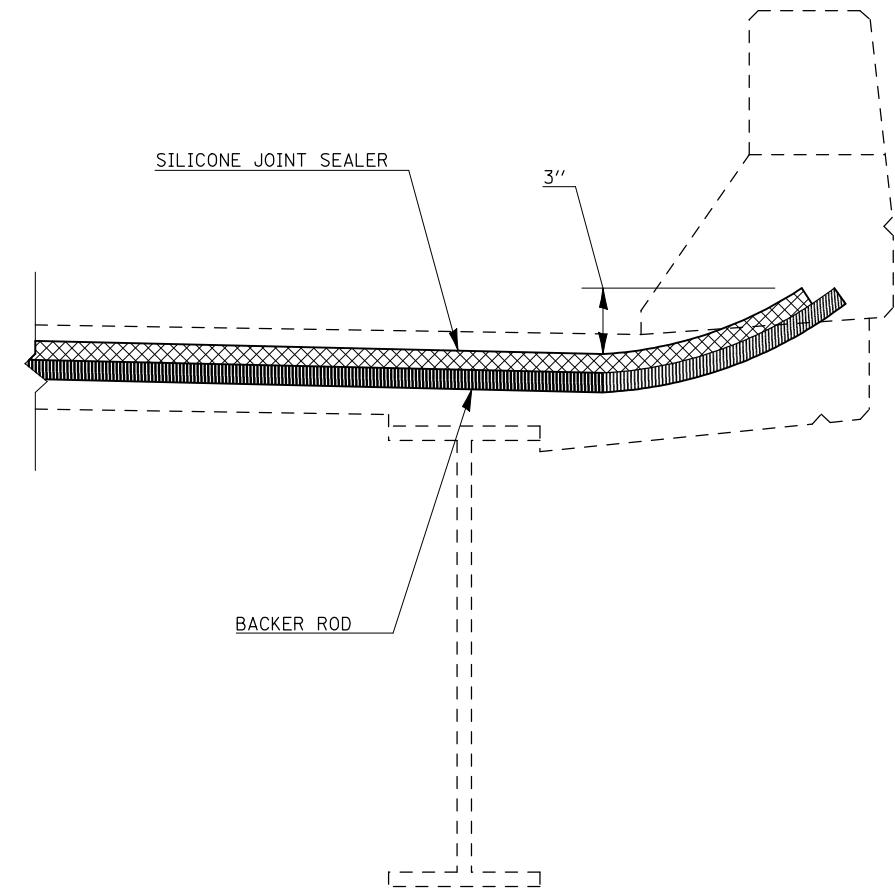
# JOINT REPAIR DETAILS

## S.N. 074-0067

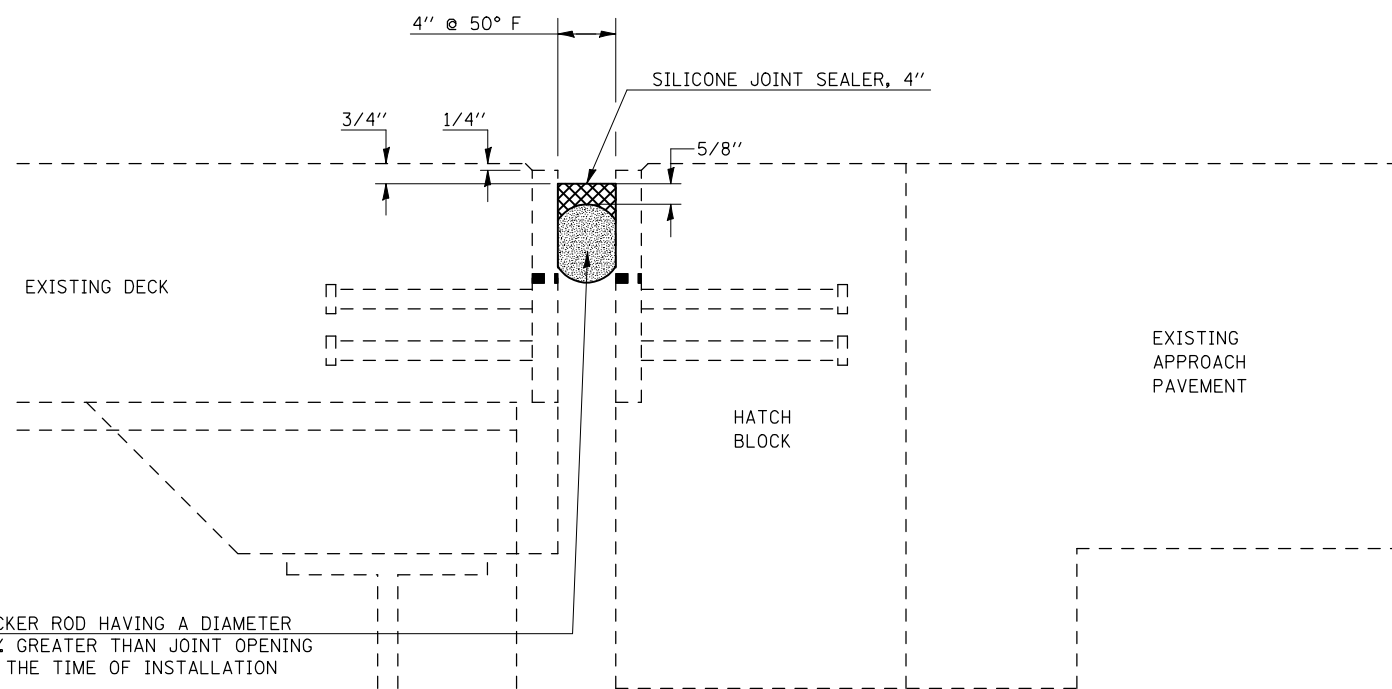
(WEST ABUTMENT JOINT)



SECTION AT EXISTING JOINT



SECTION AT PARAPET



SECTION AT PROPOSED JOINT

### NOTES

- REMOVE EXISTING PREFORMED JOINT SEALER AND REPLACE WITH SILICONE JOINT SEALER.
- REMOVAL OF THE EXISTING PREFORMED JOINT SEALER IS INCLUDED IN THE COST OF SILICONE JOINT SEALER.

### BILL OF MATERIALS

ITEM	UNIT	TOTAL
SILICONE JOINT SEALER, 4"	FOOT	53.5

FILE NAME =	USER NAME = p1ersonbr	DESIGNED - GMS	REVISED -
ct:\pw\work\p1er\p1ersonbr\d0109687\70022-Bridge Repair Plan.dgn		DRAWN - GMS	REVISED -
	PLOT SCALE = 40.0000' / IN.	CHECKED -	REVISED -
	PLOT DATE = 2/8/2010	DATE -	REVISED -

**STATE OF ILLINOIS  
DEPARTMENT OF TRANSPORTATION**

**JOINT REPAIR DETAILS  
S.N. 074-0067**

SCALE: SHEET NO. 1 OF 3 SHEETS STA. TO STA.

F.A.I. RTE.	SECTION	COUNTY	TOTAL SHEETS	SHEET NO.
72	(58,74-66)&(74-67&68)RS-1	PIATT	251	173
CONTRACT NO. 70022				
ILLINOIS FED. AID PROJECT				