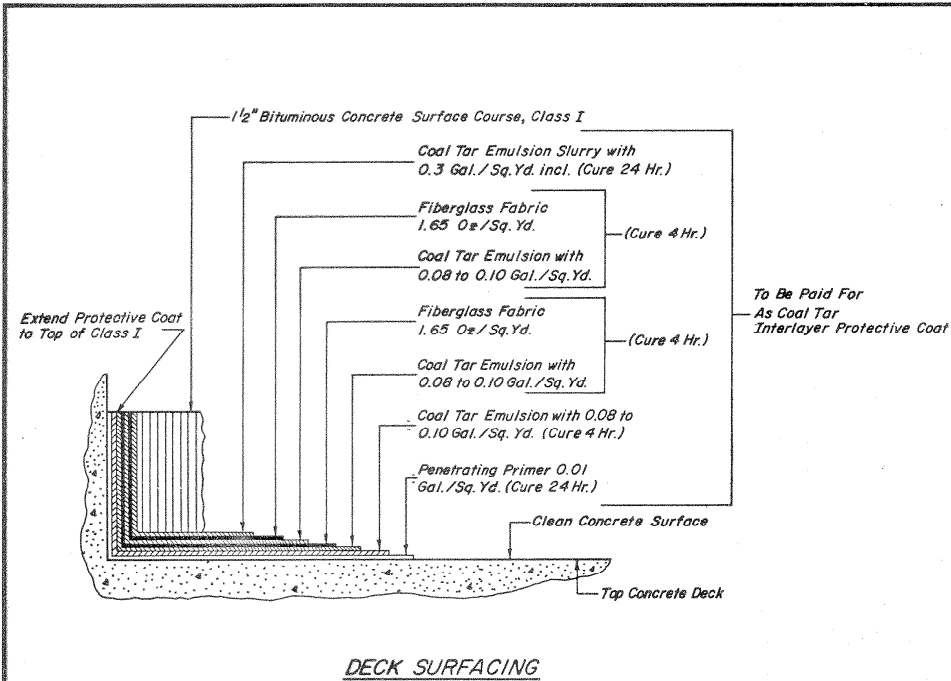


AS-BUILT PLANS - S.N. 074-0063 & 074-0064 FOR INFORMATION ONLY

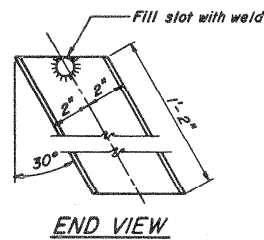
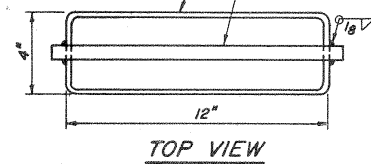
STATE OF ILLINOIS

| | | | | | |
|-----------------------|------------|------------------|--------------|-----------|--------------------------|
| ROUTE NO. | SECTION | COUNTY | TOTAL SHEETS | SHEET NO. | SHEET NO. 7 SHEETS 15 |
| F.A.I.-72 | 74-68 B | PIATT | 294 | 84 | |
| FED. ROAD DIST. NO. 7 | ILLINOIS | FED. AID PROJECT | | | |



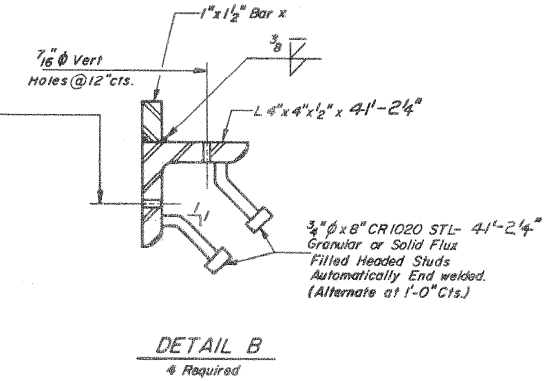
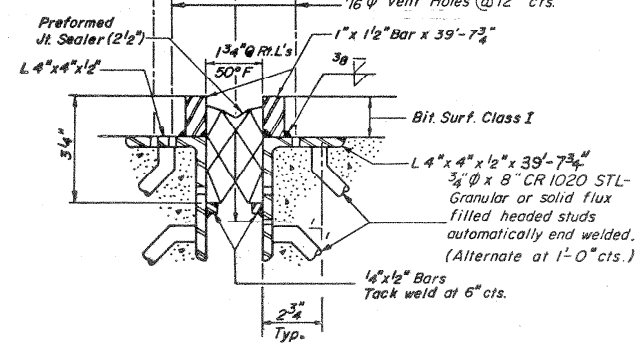
$\frac{3}{16}$ " Aluminum Sheets Welded
A.S.T.M. B209 alloy 6061-T6
or Aluminum Extrusions A.S.T.M.
B221 alloy 6061-T6

$\frac{3}{8}$ " x 1" x 1" Aluminum Bar
A.S.T.M. B211 alloy 6061-T6

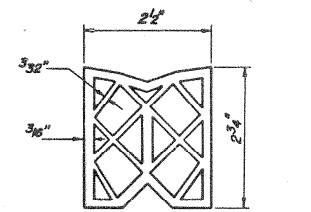
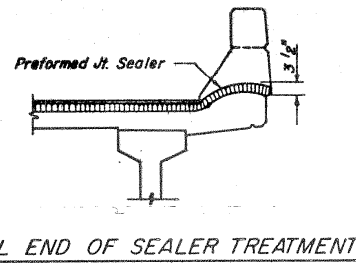
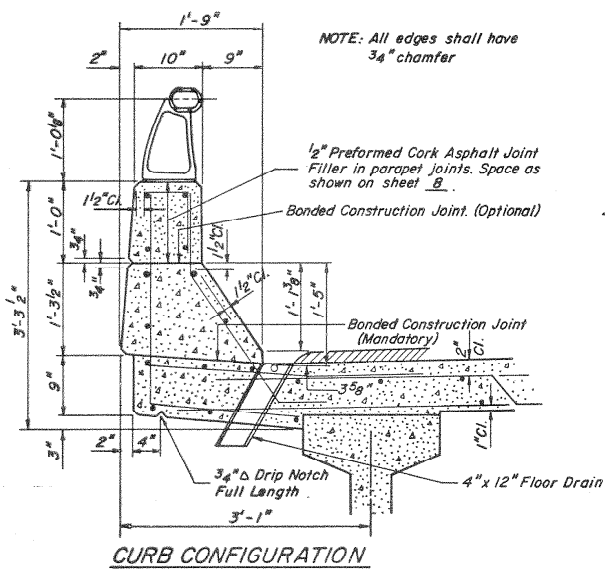


DECK DRAIN DETAILS

Cast Incidental to Class X Conc.



NOTE: Weight Structural Steel = 8761 Lbs.
Cost Incidental to Furnishing &
Erecting P.R.C. I-Beams 54 in.
*Weight includes weight of 488 - 8" x 3/8"
shear studs @ 543 Lbs.



| | |
|----------|-----------------|
| DESIGNED | W.D.T. |
| CHECKED | R.W.W. |
| DRAWN | B.G. |
| CHECKED | R.W.W. 11/20/72 |

SLAB DETAILS
F.A.I.-72 SEC. 74-68-B
PIATT COUNTY
STA. 1280+00.00 (F.A.I.-72)