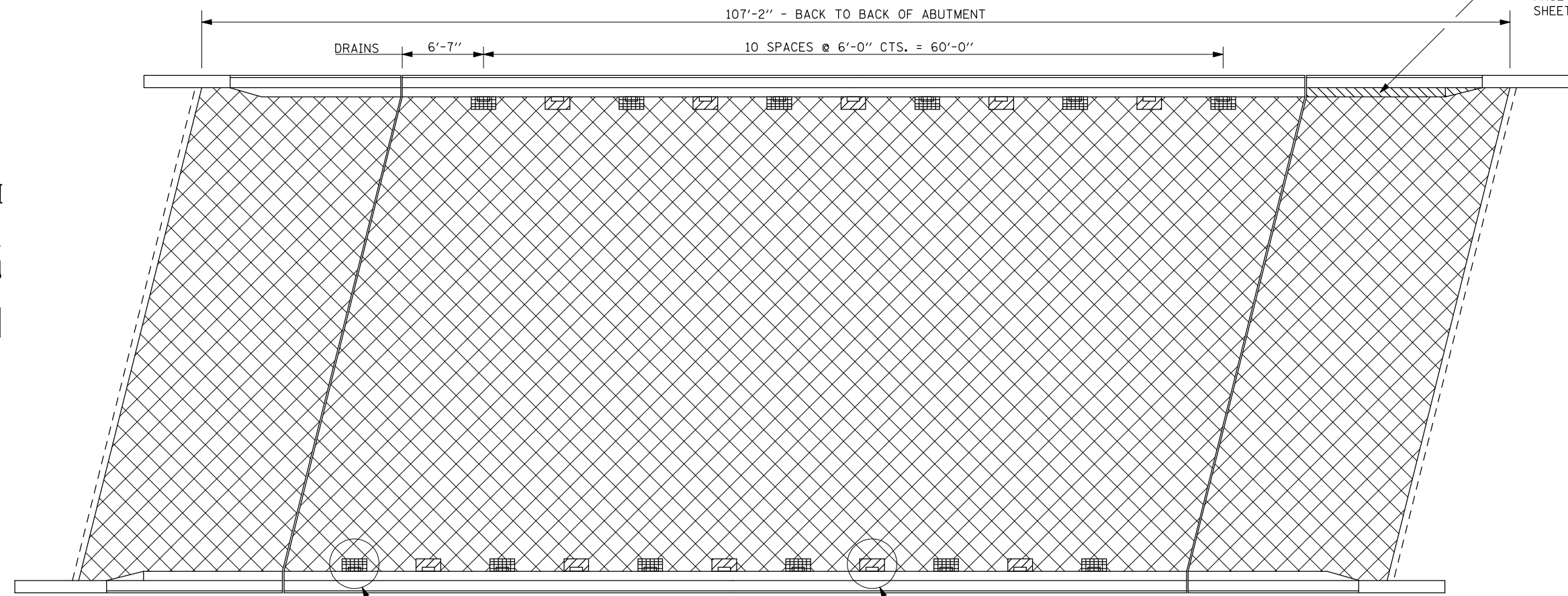


DECK REPAIR PLAN S.N. 074-0063 & 074-0064

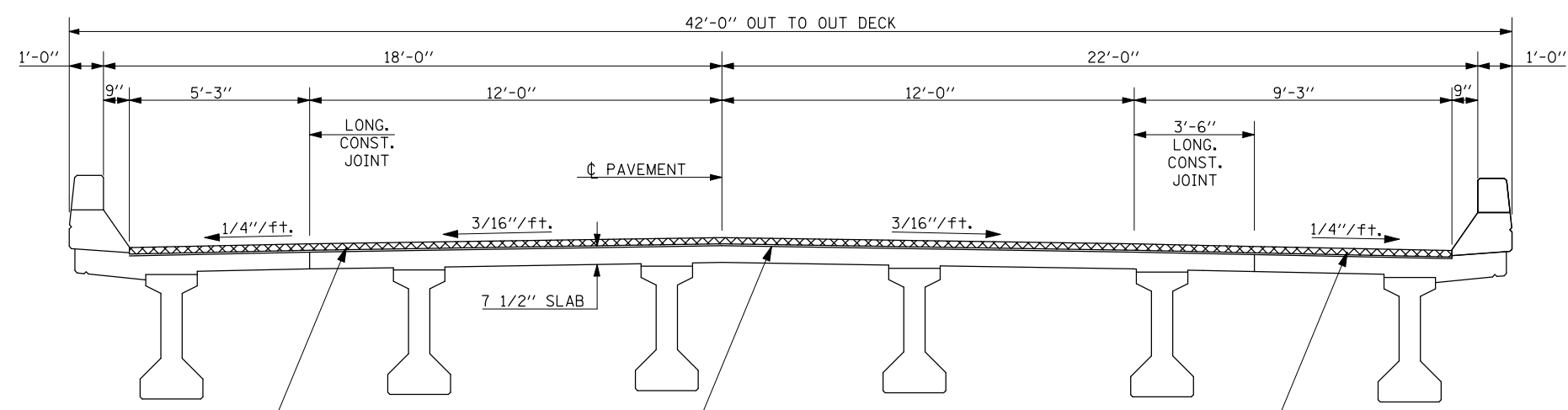
STRUCTURAL REPAIR OF CONCRETE
S.N. 074-0063 (EB) ONLY
(BOTTOM HALF OF NORTH PARAPET
FACE OVER EAST APPROACH) SEE
SHEET 4 OF 9 FOR SECTION VIEW



SEE SHEET 4 OF 9 FOR DETAILS
OF DRAINS TO BE PLUGGED.

PLAN VIEW

SEE SHEET 4 OF 9 FOR DETAILS
OF SLOPING AT DRAINS.



TYPICAL DECK CROSS SECTION

- LEGEND**
- H.M.A. SURFACE REMOVAL, DECK AND PROPOSED MICRO-SILICA CONCRETE OVERLAY
 - STRUCTURAL REPAIR OF CONCRETE (DEPTH <= 5")
 - EXISTING DRAINS TO BE PLUGGED
 - EXISTING DRAINS TO REMAIN IN PLACE

FILE NAME =	USER NAME = ppersonbr	DESIGNED - GMS	REVISED -
ct:\pw\work\p\pidot\ppersonbr\d0109687\70022-Bridge Repair Plan.dgn		DRAWN - GMS	REVISED -
PLOT SCALE = 40.0000' / IN.		CHECKED -	REVISED -
PLOT DATE = 2/8/2010		DATE -	REVISED -

**STATE OF ILLINOIS
DEPARTMENT OF TRANSPORTATION**

DECK REPAIR PLAN S.N. 074-0063 & 074-0064			
SCALE:	SHEET NO. 3 OF 9 SHEETS	STA.	TO STA.

F.A.I. RTE.:	SECTION	COUNTY	TOTAL SHEETS	SHEET NO.
72	(58,74-66)&(74-67&68)RS-1	PIATT	251	165
CONTRACT NO. 70022				
ILLINOIS FED. AID PROJECT				