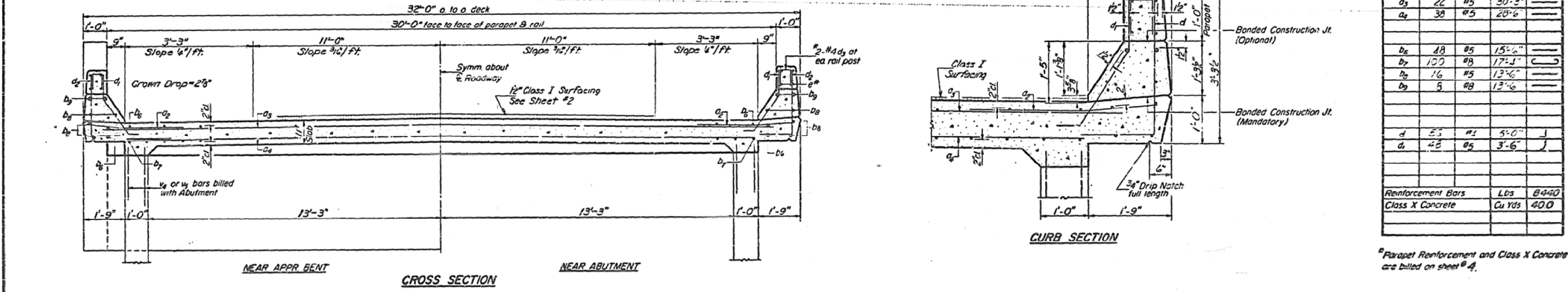
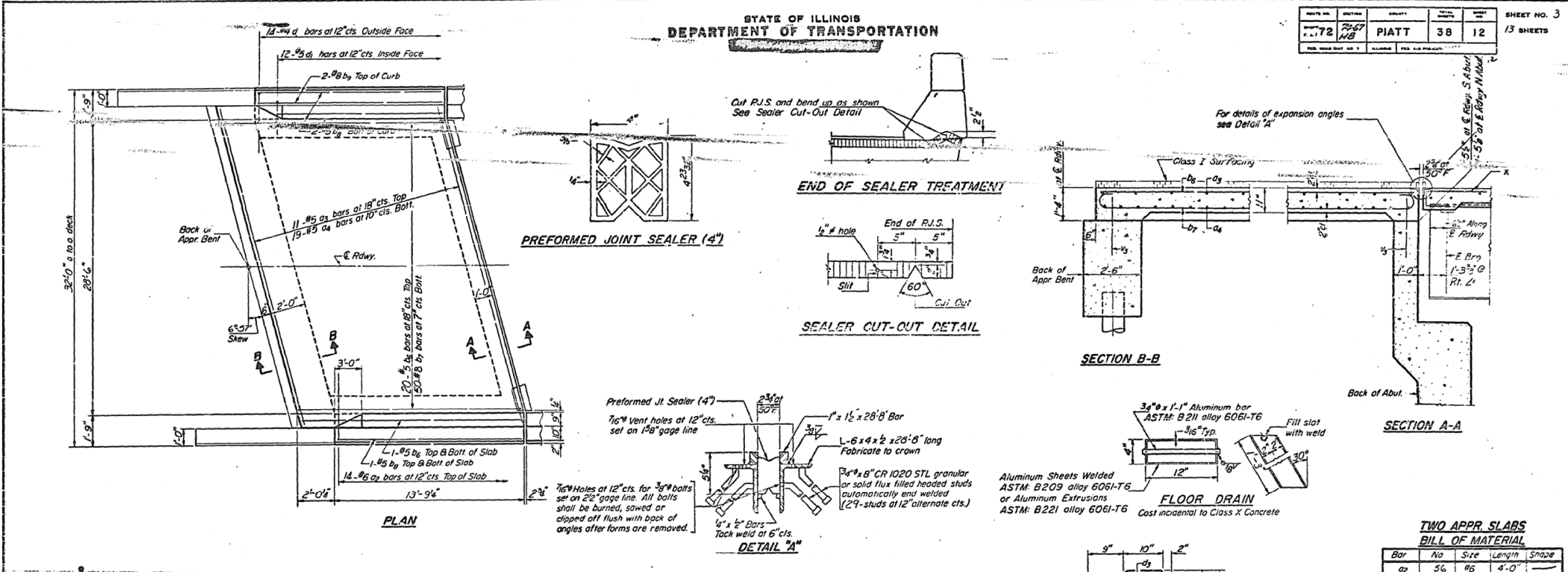


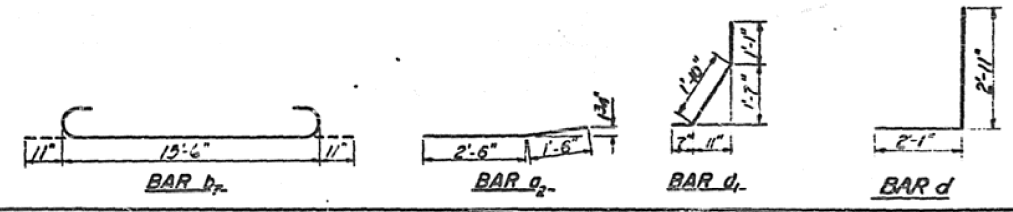
AS-BUILT PLANS - S.N. 074-0058 FOR INFORMATION ONLY

STATE OF ILLINOIS
DEPARTMENT OF TRANSPORTATION

SHEET NO. 3	13 SHEETS
ROUTE NO. 72	SECTION 74-67
COUNTY PIATT	38 12



DESIGNED: Sol ...
 CHECKED: ...
 DRAWN: C.E. Wilkins S. 7
 CHECKED: W.H.
 EXAMINED: ...
 PASSED: ...
 APPROVED: ...
 DATE: SEPT. 28 1912



APPROACH SLAB
 FAI RT. 72 SEC. 74-6711B
 PIATT COUNTY
 STA. 537+02.00