

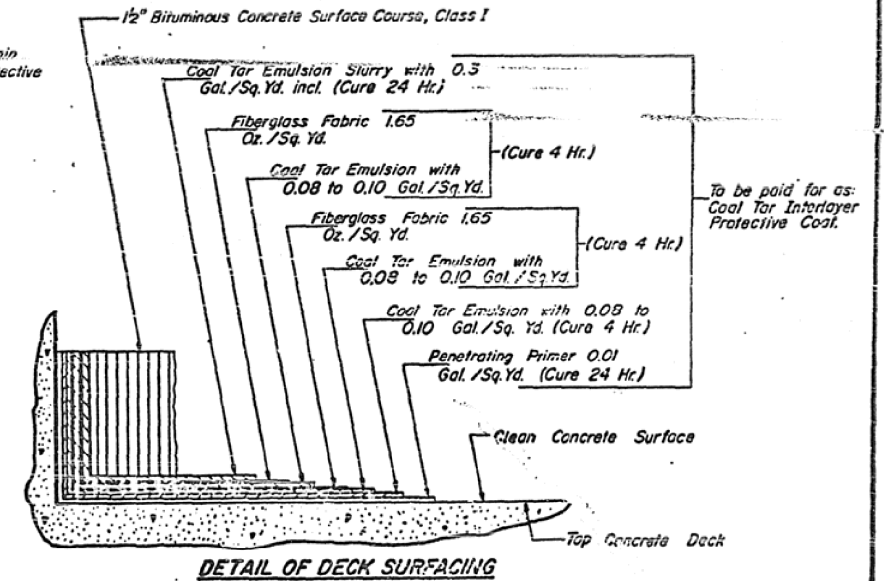
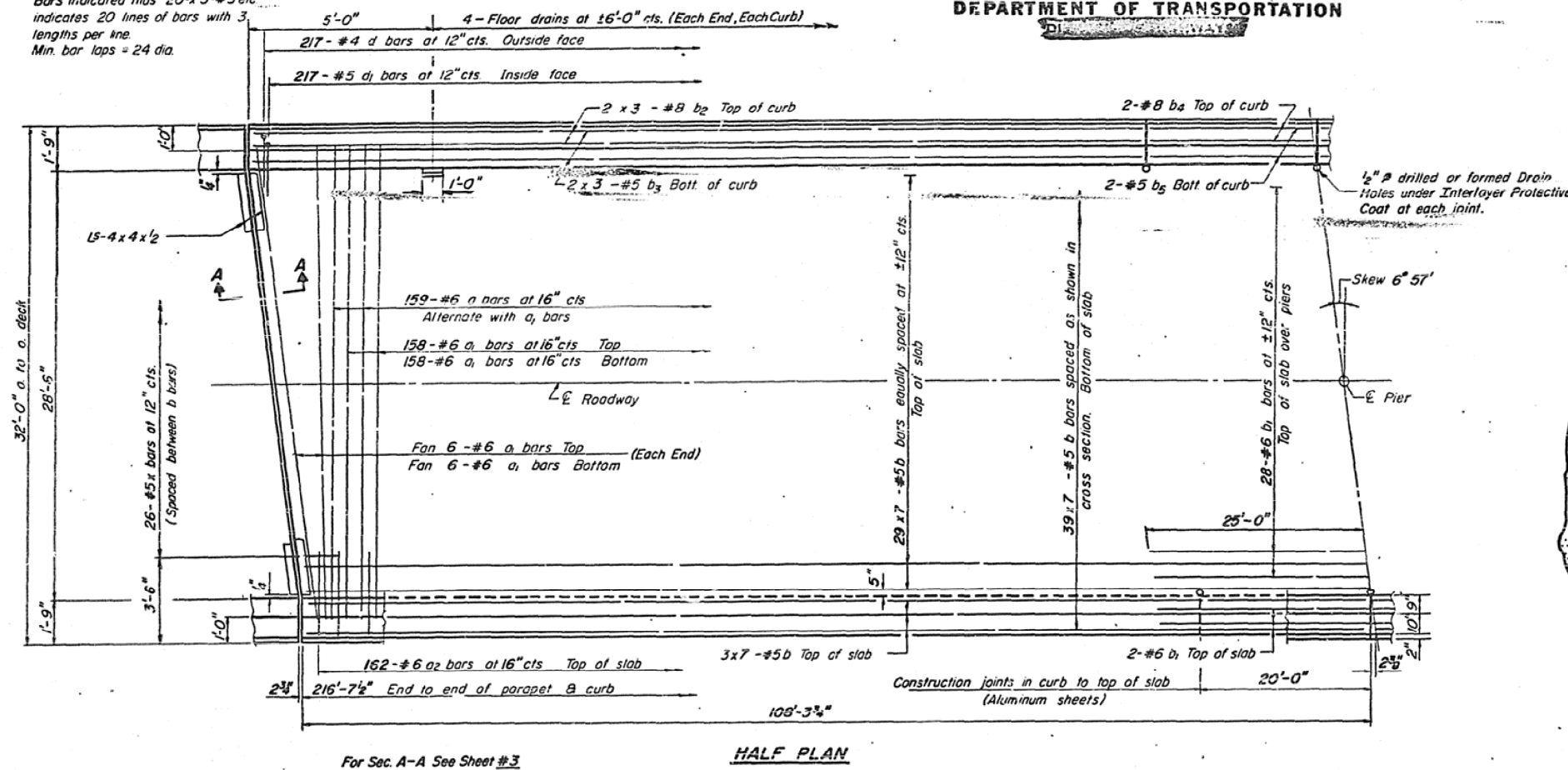
# AS-BUILT PLANS - S.N. 074-0058 FOR INFORMATION ONLY

STATE OF ILLINOIS  
DEPARTMENT OF TRANSPORTATION

PROJECT NO. 72	SECTION SEC 74-67HB	COUNTY PIATT	TOTAL SHEETS 38	SHEET NO. 11	SHEET NO. 2 13 SHEETS
-------------------	------------------------	-----------------	--------------------	-----------------	--------------------------

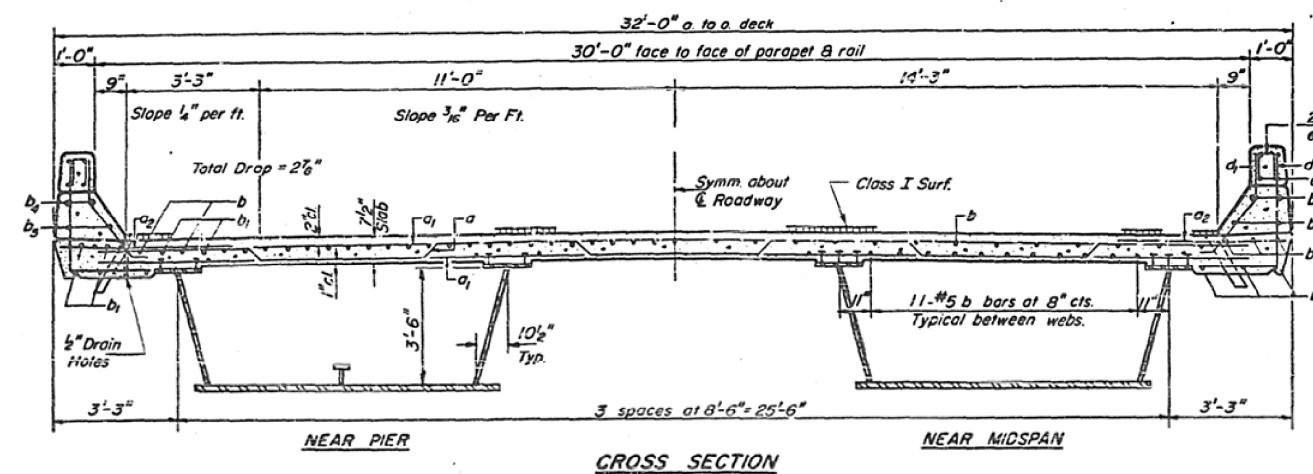
**NOTE:**

Bars indicated thus 20-x3-#5 etc indicates 20 lines of bars with 3 lengths per line. Min. bar laps = 24 dia.

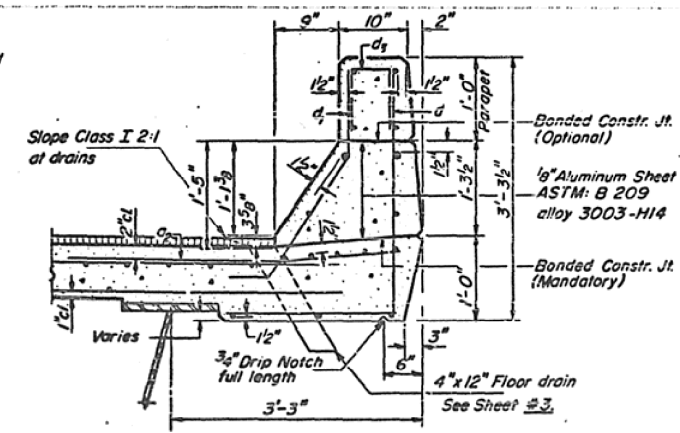


**BILL OF MATERIALS**

Bar	No	Size	Length	Shape	
a	159	#6	31'-0"	—	
a <sub>1</sub>	340	#6	30'-0"	—	
a <sub>2</sub>	324	#6	4'-0"	—	
b	518	#5	32'-3"	—	
b <sub>1</sub>	32	#6	50'-0"	—	
b <sub>2</sub>	24	#8	30'-9"	—	
b <sub>3</sub>	24	#5	30'-3"	—	
b <sub>4</sub>	8	#8	19'-9"	—	
b <sub>5</sub>	8	#5	19'-9"	—	
d	434	#4	5'-0"	—	
d <sub>1</sub>	434	#5	3'-6"	—	
x	52	#5	5'-0"	—	
Reinforcement Bars				Lbs.	51,160
Class X Concrete				Cu. Yds.	205.3



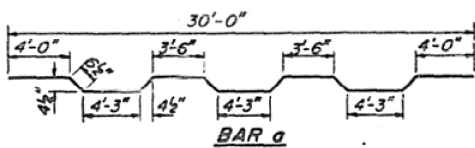
NOTE: For placement of bars d<sub>3</sub> and a<sub>1</sub> thru a<sub>2</sub> see sheet #4.



Parapet Reinforcement and Class X Concrete are billed on sheet #4.

DESIGNED Sal Zeman	EXAMINED [Signature]
CHECKED Wai Hong	PASSED W. G. RUMMAN
DRAWN P. Barnett S.F.	APPROVED Richard J. [Signature]
CHECKED W.H.	

S-4-R(15) 4-22-68, 12-3-69



STATE OF ILLINOIS  
DEPARTMENT OF TRANSPORTATION

AS-BUILT PLANS - S.N. 074-0058  
FOR INFORMATION ONLY

**SUPERSTRUCTURE**  
F.A.I. RT 72 SEC 74-67HB  
PIATT COUNTY  
STA. 987+02.80

FILE NAME =	USER NAME = p1ersonbr	DESIGNED - GMS	REVISED -
ca:\pwwork\p1dot\p1ersonbr\d0109687\70022-Bridge Repair Plan.dgn		DRAWN - GMS	REVISED -
PLOT SCALE = 40.0000' / IN.		CHECKED -	REVISED -
PLOT DATE = 2/8/2010		DATE -	REVISED -

SCALE:	SHEET NO. 3 OF 4 SHEETS	STA.	TO STA.	F.A.I. RTE. 72	SECTION (58,74-66)&(74-67&68)RS-1	COUNTY PIATT	TOTAL SHEETS 251	SHEET NO. 155
				CONTRACT NO. 70022				
				ILLINOIS FED. AID PROJECT				