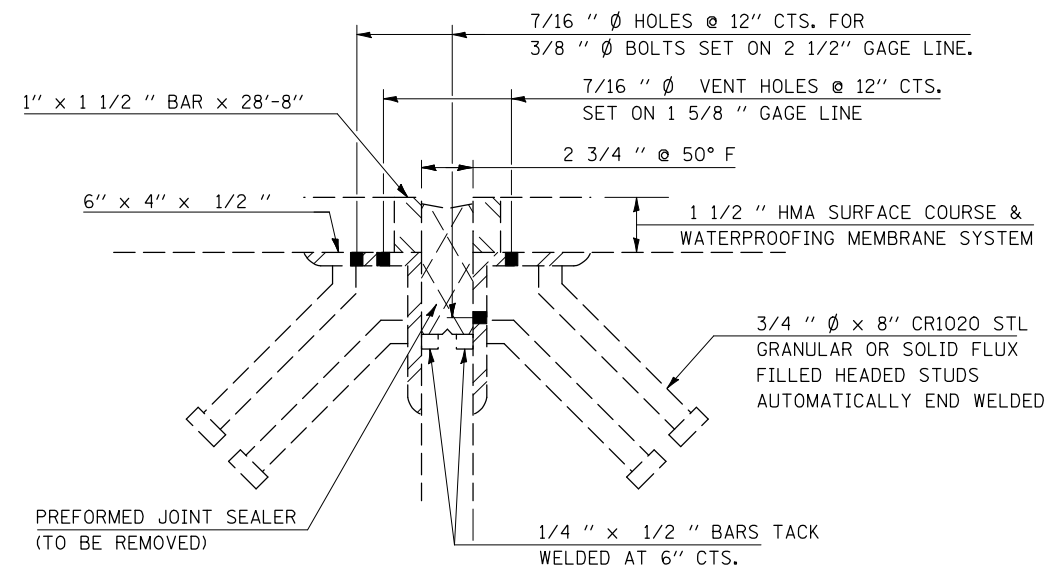
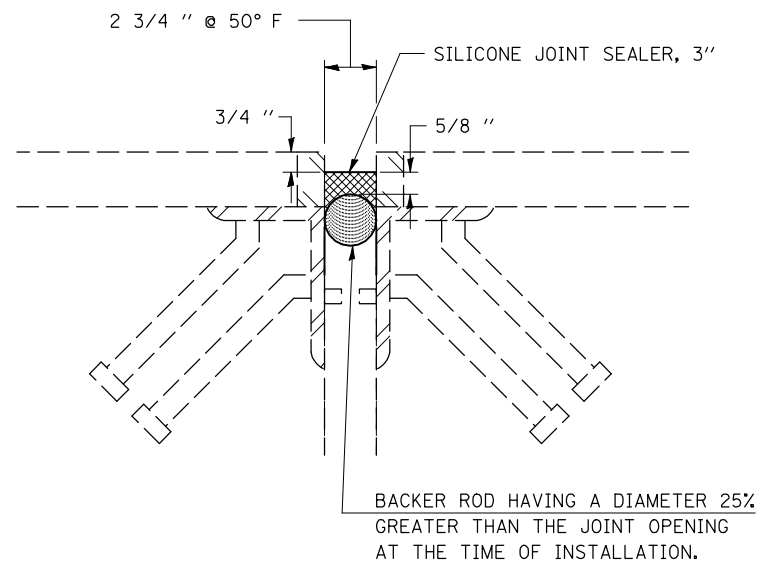


JOINT REPAIR DETAILS S.N. 074-0058

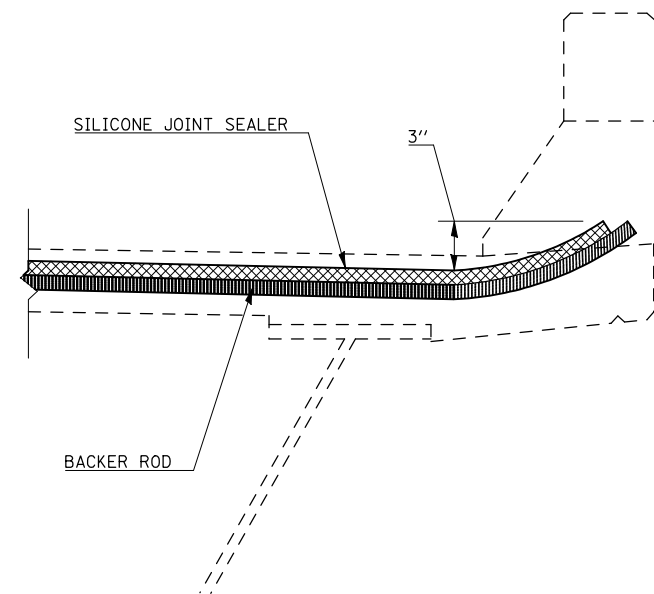
(NORTH AND SOUTH ABUTMENT JOINTS)



EXISTING JOINT



PROPOSED JOINT



SECTION AT PARAPET
SILICONE JOINT SEALER

BILL OF MATERIALS

ITEM	UNIT	TOTAL
SILICONE JOINT SEALER, 3"	FOOT	62.4

GENERAL NOTES

PLAN DIMENSIONS AND DETAILS RELATIVE TO EXISTING PLANS ARE SUBJECT TO NOMINAL CONSTRUCTION VARIATIONS. THE CONTRACTOR SHALL FIELD VERIFY EXISTING DIMENSIONS AND DETAILS AFFECTING NEW CONSTRUCTION AND MAKE NECESSARY APPROVED ADJUSTMENTS PRIOR TO CONSTRUCTION OR ORDERING OF MATERIALS. SUCH VARIATIONS SHALL NOT BE CAUSE FOR ADDITIONAL COMPENSATION FOR A CHANGE IN SCOPE OF WORK, HOWEVER, THE CONTRACTOR WILL BE PAID FOR THE QUANTITY ACTUALLY FURNISHED AT THE UNIT PRICE BID FOR THE WORK.

REMOVE EXISTING PREFORMED JOINT SEALER AND REPLACE WITH SILICONE JOINT SEALER AT ABUTMENTS. REMOVAL OF THE EXISTING PREFORMED JOINT SEALER IS INCLUDED IN THE COST OF SILICONE JOINT SEALER.

FILE NAME =	USER NAME = ppersonbr	DESIGNED - GMS	REVISED -	STATE OF ILLINOIS DEPARTMENT OF TRANSPORTATION	JOINT REPAIR DETAILS S.N. 074-0058			F.A.I. RTE.	SECTION	COUNTY	TOTAL SHEETS	SHEET NO.	
ct:\pw\work\p\dot\personbr\d0109687\700	22-Bridge Repair Plan.dgn	DRAWN - GMS	REVISED -		SCALE:	SHEET NO. 1 OF 4 SHEETS	STA.	TO STA.	72	(58,74-66)&(74-67&68)RS-1	PIATT	251	153
	PLOT SCALE = 40.0000' / IN.	CHECKED -	REVISED -		CONTRACT NO. 70022								
	PLOT DATE = 2/8/2010	DATE -	REVISED -		ILLINOIS FED. AID PROJECT								