

STATE OF ILLINOIS
DEPARTMENT OF TRANSPORTATION

F.A. RTE.	SECTION	COUNTY	TOTAL SHEETS	SHEET NO.
***	**	*	9	1
		ILLINOIS	CONTRACT NO. 70F45	

*** STORAGE FACILITY AT CLINTON AND MONTICELLO
** CLINTON/MONTICELLO IMP 2022-1
* DEWITT & PIATT

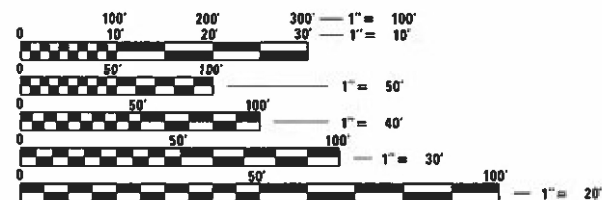
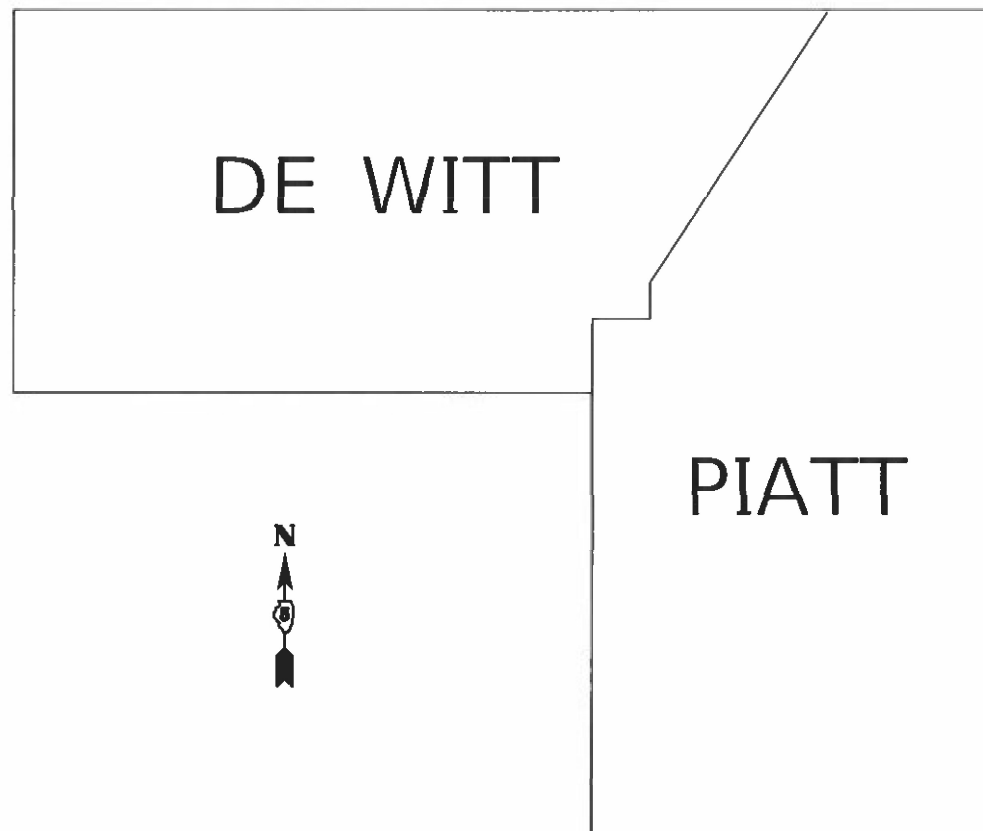
D-95-042-21

FOR INDEX OF SHEETS, SEE SHEET NO. 2
FOR LOCATION MAP, SEE SHEET NO. 3
FOR SUMMARY OF QUANTITIES, SEE SHEET NO. 4 TO 5

PROPOSED HIGHWAY PLANS

ROUTE STORAGE FACILITY AT CLINTON
AND MONTICELLO
SECTION CLINTON/MONTICELLO IMP 2022-1
PATCHING PARKING IMPROVEMENT
DEWITT & PIATT COUNTY

C-95-055-21
CLINTON & MONTICELLO COMPLEX



FULL SIZE PLANS HAVE BEEN PREPARED USING STANDARD ENGINEERING SCALES. REDUCED SIZED PLANS WILL NOT CONFORM TO STANDARD SCALES. IN MAKING MEASUREMENTS ON REDUCED PLANS, THE ABOVE SCALES MAY BE USED.

J.U.L.I.E.
JOINT UTILITY LOCATION INFORMATION FOR EXCAVATORS
1-800-892-0123
OR 811

PROJECT ENGINEER: RYAN CARROLL
PROJECT MANAGER: SAM MEGLI
DESIGNER: CHRISTINA GOSNELL
PHONE NUMBER: (217)465-4181
CONTRACT NO. 70F45

GROSS LENGTH = 884.93 FT. = 0.168 MILE
NET LENGTH = 884.93 FT. = 0.168 MILE

STATE OF ILLINOIS
DEPARTMENT OF TRANSPORTATION

SUBMITTED 2/1 2022
Kenneth A. Hornetson
REGIONAL ENGINEER

March 25 2022
[Signature]
ENGINEER OF DESIGN AND ENVIRONMENT

March 2 2022
Stephen M. Frail
DIRECTOR OF HIGHWAYS PROJECT IMPLEMENTATION

PRINTED BY THE AUTHORITY
OF THE STATE OF ILLINOIS

INDEX OF SHEETS

SHEET NO.	DESCRIPTION
1	COVER SHEET
2	INDEX OF SHEETS
2	LIST OF HIGHWAY STANDARDS
2	GENERAL NOTES
3	LOCATON MAP
4-5	SUMMARY OF QUANTITIES
6	SCHEDULES OF QUANTITIES
7	CLINTON PLAN SHEET
8	MONTICELLO PLAN SHEET
9	PAVED DITCH (SPECIAL) DETAILS

GENERAL NOTES

G.N.-100A
ELECTRONIC FILES AND/OR ELECTRONIC SURVEY INFORMATION INCLUDING CADD FILES WILL NOT BE AVAILABLE TO THE CONTRACTOR.

G.N.-403
BITUMINOUS SURFACE TREATMENTS: GRADATION CA-14 (MID SPEC.) IS ASSUMED FOR COVER COATS AND GRADATION CA-16 (MID-SPEC.) IS ASSUMED FOR SEAL COATS. THE AGGREGATE SHALL BE EITHER CRUSHED GRAVEL OR CARBONATE CRUSHED STONE AND SHALL BE CLASS C QUALITY OR BETTER. THE RESULTING TARGET APPLICATION RATES ARE AS FOLLOWS:

TYPE OF CONSTRUCTION	BITUMINOUS MATERIAL	APPLICATION RATE	AGGREGATE	APPLICATION RATE
TACK COAT (HARD SURFACE) *	Art. 406.02	0.1 GAL/SQ YD	FA-1 OR FA-2	3 LB/SQ YD
PRIME COAT (AGGREGATE SURFACE) *	MC-30 or PEP	0.25 GAL/SQ YD	FA-1 OR FA-2	4 LB/SQ YD
A-1	HFP/CRSP	0.35 GAL/SQ YD	CA-16	19 LB/SQ YD
A-2 (COVER COAT)	HFP/CRSP	0.32 GAL/SQ YD	CA-14	25 LB/SQ YD
A-2 (SEAL COAT)	HFP/CRSP	0.4 GAL/SQ YD	CA-16	19 LB/SQ YD
A-3 (1ST COVER COAT)	HFP/CRSP	0.32 GAL/SQ YD	CA-14	25 LB/SQ YD
A-3 (2ND COVER COAT)	HFP/CRSP	0.45 GAL/SQ YD	CA-14	25 LB/SQ YD
A-3 (SEAL COAT)	HFP/CRSP	0.35 GAL/SQ YD	CA-16	19 LB/SQ YD

* TO BE USED WITH A1, A2 AND A3 SEAL COATS

NOTE: THE ENGINEER RESERVES THE RIGHT TO ADJUST THE TARGET APPLICATION RATES AND THE QUANTITIES.

G.N.-406H

Location	Monticello / Clinton	Monticello / Clinton
Mixture Use	Binder bottom 2 1/2"	Surface top 1 1/2"
AC/PG	SBS PG 70-22	SBS PG 70-22
Design Air Voids	4.0% @ Ndes=50	4.0% @ Ndes=50
Mix Comp(Gradation)	IL 19.0	IL 9.5
Friction Aggregate	N.A.	Mix C
Mixture Weight	112	112
Quality Management Program	QC/QA	QC/QA
Sublot Size	N.A.	N.A.
Material Transfer Device (Required ?)	No	No

LIST OF HIGHWAY STANDARDS

STANDARD NO.	NAME OF STANDARD
000001-08	STANDARD SYMBOLS, ABBREVIATIONS AND PATTERNS
001006	DECIMAL OF AN INCH AND A FOOT
542301-03	PRECAST REINFORCED CONCRETE FLARED END SECTION
602301-04	INLET, TYPE A
604036-03	GRATE, TYPE 8
701901-08	TRAFFIC CONTROL DEVICES

COMMITMENTS

THERE ARE NO COMMITMENTS FOR THIS CONTRACT

* DEWITT & PIATT
** CLINTON/MONTICELLO IMP 2022-1
*** STORAGE FACILITY AT CLINTON AND MONTICELLO

MODEL: I:\MODEL\MK15
FILE: MK15_Plan\Subcontract\benefy.com\FW\DOT\Documents\DOT\Office\Dir\dr: S:\Project\057045\CADD\DATA\CADD\Sheets\057045-shr-GenNotes.dgn

USER NAME = meglisk	DESIGNED -	REVISED -
	DRAWN -	REVISED -
PLOT SCALE = 40:0 " = 1" / in.	CHECKED -	REVISED -
PLOT DATE = 02/01/22	DATE -	REVISED -

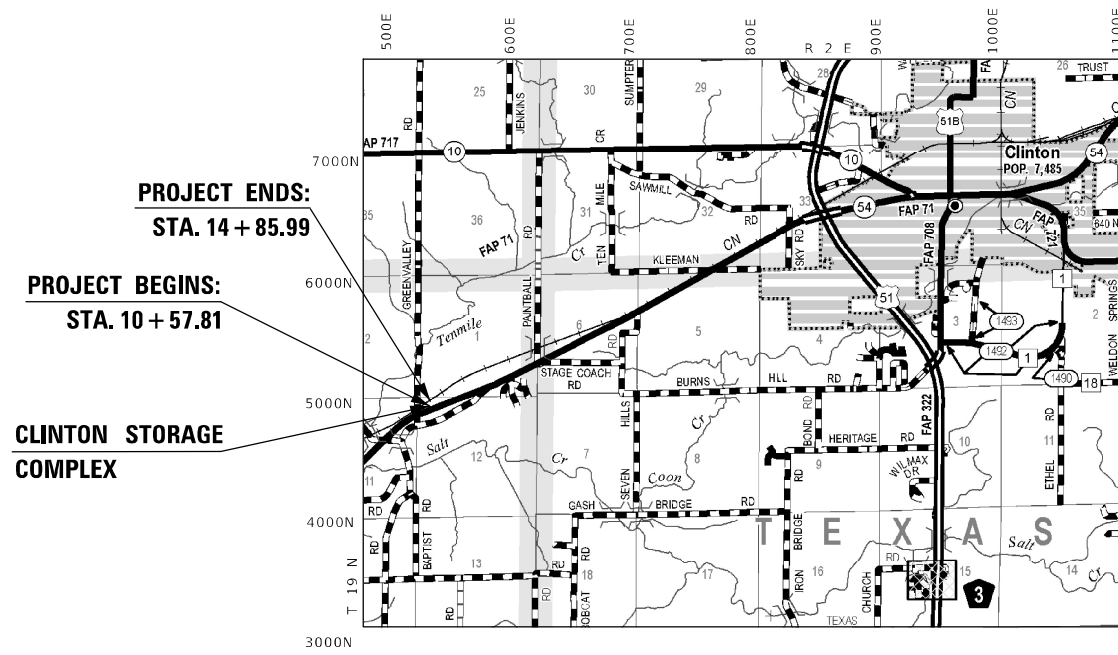
**STATE OF ILLINOIS
DEPARTMENT OF TRANSPORTATION**

**INDEX OF SHEETS, GENERAL NOTES
AND HIGHWAY STANDARDS**

SCALE: SHEET 1 OF 1 SHEETS STA. TO STA.

F.A. RTE.	SECTION	COUNTY	TOTAL SHEETS	SHEET NO.
***	**	-	9	2
CONTRACT NO. 70F45				
ILLINOIS FED. AID PROJECT				

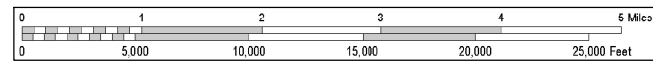
LOCATION MAP #1 CLINTON COMPLEX



PROJECT ENDS:
STA. 14 + 85.99

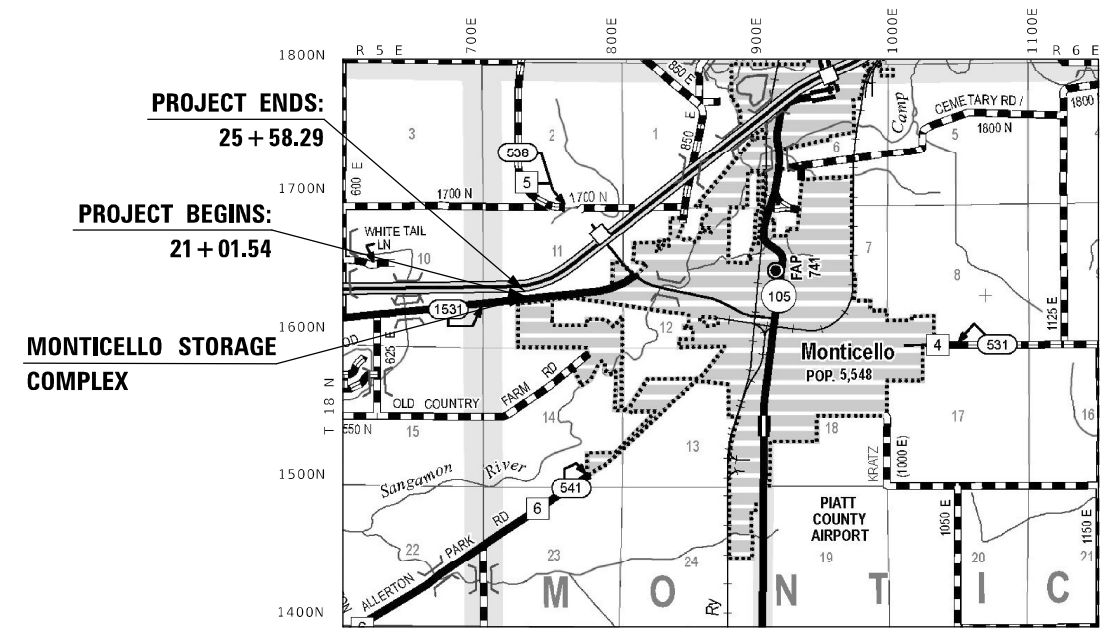
PROJECT BEGINS:
STA. 10 + 57.81

**CLINTON STORAGE
COMPLEX**



GROSS LENGTH = 428.18 FT. = 0.0811 MILE
NET LENGTH = 428.18 FT. = 0.0811 MILE

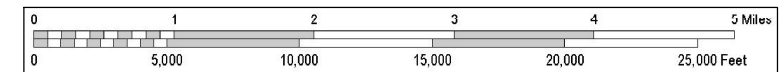
LOCATION MAP #2 MONTICELLO COMPLEX



PROJECT ENDS:
25 + 58.29

PROJECT BEGINS:
21 + 01.54

**MONTICELLO STORAGE
COMPLEX**



GROSS LENGTH = 456.75 FT. = 0.0865 MILE
NET LENGTH = 456.75 FT. = 0.0865 MILE

MODEL: \\MODELS\MNF5
FILE NAME: P:\I\Bentley.com\PIV\DOT\Documents\DOT Office\District 5\Project\0570845\CADD\Map\CD\Sheets\0570845-sh1-Location_Map.dgn

USER NAME = meglisk	DESIGNED -	REVISED -
	DRAWN -	REVISED -
PLOT SCALE = 40:0' = 1" / in.	CHECKED -	REVISED -
PLOT DATE = 02/01/22	DATE -	REVISED -

**STATE OF ILLINOIS
DEPARTMENT OF TRANSPORTATION**

LOCATION MAP CLINTON AND MONTICELLO COMPLEX			
SCALE:	SHEET 1 OF 1 SHEETS	STA.	TO STA.

F.A. RTE.	SECTION	COUNTY	TOTAL SHEETS	SHEET NO.
**	**	-	9	3
CONTRACT NO. 70F45				
ILLINOIS FED. AID PROJECT				

* DEWITT & PIATT
** CLINTON/MONTICELLO IMP 2022-1
*** STORAGE FACILITY AT CLINTON AND MONTICELLO

SUMMARY OF QUANTITIES

LOCATION OF WORK:	CLINTON COMPLEX	MONTICELLO COMPLEX
	PARKING LOT	PARKING LOT
	RURAL	RURAL
COUNTY:	DEWITT	PIATT
FUNDING BREAKOUT:	100% STATE	100% STATE
CONSTRUCTION TYPE CODE:	0005	0005

CODE NO.	ITEM	UNIT	TOTAL QUANTITY	QUANTITY	QUANTITY
20200100	EARTH EXCAVATION	CU YD	1,200.0	565.0	635.0
28100805	STONE DUMPED RIPRAP, CLASS A3	TON	4.0	2.0	2.0
28200200	FILTER FABRIC	SQ YD	6.0	3.0	3.0
35100500	AGGREGATE BASE COURSE, TYPE A 6"	SQ YD	3,551.0	1,657.0	1,894.0
35100700	AGGREGATE BASE COURSE, TYPE A 8"	SQ YD	920.0	450.0	470.0
40600275	BITUMINOUS MATERIALS (PRIME COAT)	POUND	7,983.0	3,726.0	4,257.0
40600290	BITUMINOUS MATERIALS (TACK COAT)	POUND	802.0	374.0	428.0
40603230	POLYMERIZED HOT-MIX ASPHALT BINDER COURSE, IL-19.0, N50	TON	500.0	234.0	266.0
40604150	POLYMERIZED HOT-MIX ASPHALT SURFACE COURSE, IL-9.5, MIX "C", N50	TON	301.0	141.0	160.0
44004000	PAVED DITCH REMOVAL	FOOT	57.0	57.0	0.0
50105220	PIPE CULVERT REMOVAL	FOOT	31.0	31.0	0.0
542A0217	PIPE CULVERTS, CLASS A, TYPE 1 12"	FOOT	110.0	110.0	0.0
54213657	PRECAST REINFORCED CONCRETE FLARED END SECTIONS 12"	EACH	1.0	1.0	0.0
60236200	INLETS, TYPE A, TYPE 8 GRATE	EACH	1.0	1.0	0.0
* DENOTES SPECIALTY ITEM					

MODEL: \\MODELNAME\$
 FILE NAME: P:\USCWA\Bentley.com\PROJECTS\DOT Documents\DOT_Offices\District 5\Projects\057015\CADD\Drawings\057015-001.dgn

* DEWITT & PIATT
 ** CLINTON/MONTICELLO IMP 2022-1
 *** STORAGE FACILITY AT CLINTON AND MONTICELLO

USER NAME = meglisk	DESIGNED -	REVISED -
	DRAWN -	REVISED -
PLOT SCALE = 40:0 1" / in.	CHECKED -	REVISED -
PLOT DATE = 02/01/22	DATE -	REVISED -

**STATE OF ILLINOIS
DEPARTMENT OF TRANSPORTATION**

SUMMARY OF QUANTITIES

SCALE: SHEET 1 OF 2 SHEETS STA. TO STA.

F.A. RTE.	SECTION	COUNT	TOTAL SHEETS	SHEET NO.
***	**	-	9	4
CONTRACT NO. 70F45				
ILLINOIS FED. AID PROJECT				

SCHEDULES OF QUANTITIES

HMA SCHEDULE

LOCATION	AREA SQ FT	AREA SQ YD	20200100	35100500	40600275	40600290	40603230	40604150
			EARTH EXCAVATION CU YD	AGGREGATE BASE COURSE, TYPE A 6" SQ YD	BITUMINOUS MATERIAL (PRIME COAT) POUND	BITUMINOUS MATERIALS (TACK COAT) POUND	POLYMERIZE D HOT-MIX ASPHALT BINDER COURSE, IL- 19.0, N50 2 1/2" TON	POLYMERIZED HOT-MIX ASPHALT SURFACE COURSE, IL-9.5 MIX "C", N50 1 1/2" TON
CLINTON								
SECTION A	10,671.99	1,185.78	330	1,186	2,668	267	167	100
SECTION B	3,391.08	376.79	105	377	848	85	53	32
SECTION C	492.11	54.68	17	55	124	13	8	5
SECTION D	343.38	38.15	13	39	86	9	6	4
CLINTON TOTALS =			465	1,657	3,726	374	234	141
MONTICELLO								
SECTION A	7,812.56	868.06	243	869	1,954	196	122	73
SECTION B	5,483.63	609.29	170	610	1,371	138	86	52
SECTION C	3,726.16	414.02	117	415	932	94	58	35
MONTICELLO TOTALS =			530	1,894	4,257	428	266	160
TOTALS =			995	3,551	7,983	802	500	301

A-2 BITUMINOUS SURFACE TREATMENT SCHEDULE

LOCATION	COMPLETE AREA SQ FT	COMPLETE AREA SQ YD	X0300010	X1500005
			BITUMINOUS MATERIALS (FOG SEAL) POUND	BITUMINOUS SURFACE TREATMENT, A2 SQ YD
CLINTON	54,334.95	6,037.22	2,717	6,038
CLINTON TOTALS =			2,717	6,038
MONTICELLO	62,748.79	6,972.09	3,138	6,973
MONTICELLO TOTALS =			3,138	6,973
TOTALS =			5,855	13,011

AGGREGATE PATCHING SCHEDULE

LOCATION	*EARTH EXCAVATION CU YD	*AGGREGATE BASE COURSE, TYPE A 8" SQ YD	
			20200100
CLINTON	100	450	
CLINTON TOTALS =		100	450
MONTICELLO	105	470	
MONTICELLO TOTALS =		105	470
TOTALS =		205	920

*LOCATIONS DETERMINED BY THE ENGINEER

DRAINAGE SCHEDULE

LOCATION	AREA SQ FT	AREA SQ YD	28100805	28200200	54213657	542A0217	50105220	60236200	60500060
			STONE DUMPED RIPRAP, CLASS A3 TON	FILTER FABRIC SQ YD	PRECAST REINFORCED CONCRETE FLARED END SECTIONS 12" EACH	PIPE CULVERTS, CLASS A, TYPE 1 1/2" FOOT	PIPE CULVERT REMOVAL FOOT	INLETS, TYPE A, TYPE 8 GRATE EACH	REMOVING INLETS EACH
CLINTON			2	3	1	110	31	1	1
CLINTON TOTALS =			2	3	1	110	31	1	1
MONTICELLO			2	3	0	0	0	0	0
MONTICELLO TOTALS =			2	3	0	0	0	0	0
TOTALS =			4	6	1	110	31	1	1

PAVED DITCH SCHEDULE

LOCATION	AREA SQ FT	AREA SQ YD	44004000	X6061460
			PAVED DITCH REMOVAL FOOT	PAVED DITCH (SPECIAL) FOOT
CLINTON			57	188
CLINTON TOTALS =			57	188
MONTICELLO			0	148
MONTICELLO TOTALS =			0	148
TOTALS =			57	336

MODEL: I:\MODEL\MHFE
FILE: MHFE_Plan\Subcontract\com\PIV\DOT\Documents\DOT\Office\Dir\ref: S:\Project\057045\CADD\Drawn\CADD\Sheet\057045-shs-Schedule.dgn

USER NAME = meglisk	DESIGNED -	REVISED -
PLOT SCALE = 40:0 ** / in.	DRAWN -	REVISED -
PLOT DATE = 02/02/22	CHECKED -	REVISED -
	DATE -	REVISED -

STATE OF ILLINOIS
DEPARTMENT OF TRANSPORTATION


SCHEDULES OF QUANTITIES

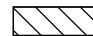
SCALE: SHEET 1 OF 1 SHEETS STA. TO STA.

* DEWITT & PIATT
** CLINTON/MONTICELLO IMP 2022-1
*** STORAGE FACILITY AT CLINTON AND MONTICELLO

F.A. RTE.	SECTION	COUNTY	TOTAL SHEETS	SHEET NO.
***	**	-	9	6
CONTRACT NO. 70F45				
ILLINOIS FED. AID PROJECT				



 A-2 BITUMINOUS SURFACE TREATMENT

 AGGREGATE BASE COURSE, TYPE A 6"
 2 1/2" POLYMERIZED HOT-MIX ASPHALT BINDER COURSE, IL-19.0, N50
 1 1/2" POLYMERIZED HOT-MIX ASPHALT SURFACE COURSE, IL-9.5, MIX "C", N50
 A-2 BITUMINOUS SURFACE TREATMENT

NOTE: ANY VOID LEFT FROM REMOVING THE PAVED DITCH SHALL BE FILLED WITH EXCESS EXCAVATION MATERIAL FROM THE SITE. THIS WORK WILL NOT BE PAID FOR SEPARATELY AND IS CONSIDERED INCLUDED IN THE CONTRACT UNIT PRICE PER FOOT FOR PAVED DITCH REMOVAL.

STA. 14+20.95, -68.4 LT
 PRECAST REINFORCED FLARED
 END SECTION 12"
 FL ELEV. 738.27

110' PIPE CULVERT
 CLASS A, TYPE 1
 12" RCP @ 0.25%

5'X5' STONE DUMPED
 RIPRAP, CLASS A3
 WITH FILTER FABRIC

STA 13+11.52, 85.3 LT
 INLET TY A, TY 8 GRATE
 RIM ELEV. 740.29
 INV. ELEV. 738.54 12" OUT NE

REMOVING INLET

57' PAVED DITCH
 REMOVAL

31' PIPE CULVERT
 REMOVAL

AGG
 SECTION C
 SECTION D

SALT DOME
 D0557

HMA

AGG

EQUIPMENT STORAGE
 2 BAYS D0554

NOTE: EXISTING PAVEMENT STRUCTURE (AGG/OIL&CHIP) REMOVAL PAID FOR AS EARTH EXCAVATION.

32.8' x 15'
 10'
 22.9' x 15'

18'-0"

BENCHMARK

188' PAVED DITCH (SPECIAL)

SECTION B

CLINTON FACILITY ADDRESS:

6121 ST. HWY. 54
 CLINTON, IL 61727
 DEWITT COUNTY

BENCHMARK:

CONCRETE POST IN EAST CORNER OF YARD
 "CLINTON MAINT"
 ELEVATION = 738.74

EQUIPMENT STORAGE
 7 BAYS D0555

MATERIAL STORAGE
 5 BAY D0556

SECTION A

IL 54

MODEL: \\MODEL\MAME
 FILE: \\MAILS_PUB\Public\paw_bentley.com\PIV\DOT\Documents\DOT_Offices\Dir\dr: S:\Project\1057045\CAD\Drawn\CAD\Sheets\1057045-shr-flor_Sheets.dgn

USER NAME = meglisk	DESIGNED -	REVISED -
	DRAWN -	REVISED -
PLOT SCALE = 60,00' / in.	CHECKED -	REVISED -
PLOT DATE = 02/01/22	DATE -	REVISED -

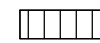
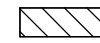
**STATE OF ILLINOIS
 DEPARTMENT OF TRANSPORTATION**

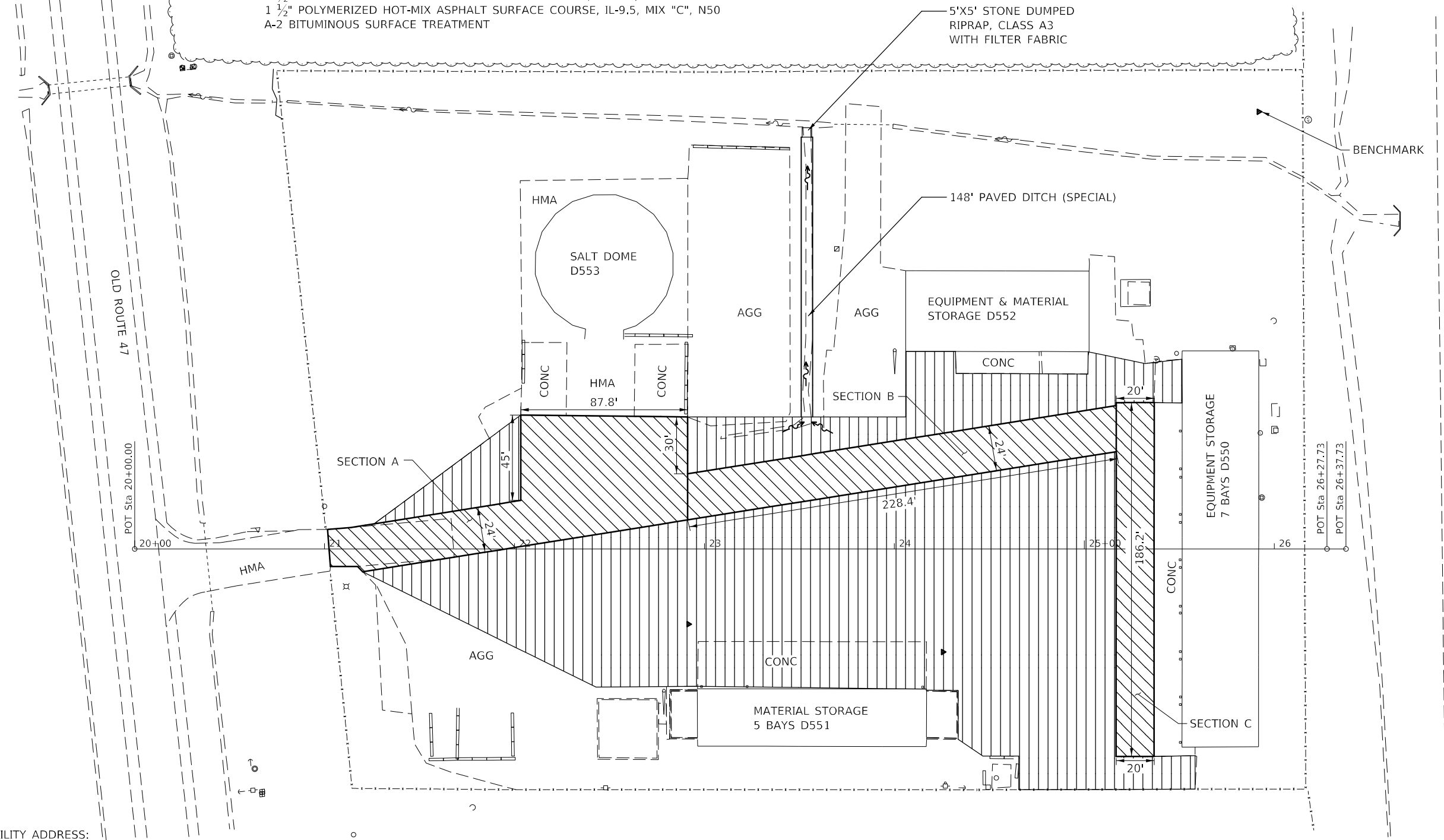
CLINTON PLAN SHEET

SCALE: 1" = 30' SHEET 1 OF 2 SHEETS STA. TO STA.

* DEWITT & PIATT
 ** CLINTON/MONTICELLO IMP 2022-1
 *** STORAGE FACILITY AT CLINTON AND MONTICELLO

F.A. RTE.	SECTION	COUNTY	TOTAL SHEETS	SHEET NO.
***	**	-	9	7
CONTRACT NO. 70F45				
ILLINOIS FED. AID PROJECT				

-  A-2 BITUMINOUS SURFACE TREATMENT
-  AGGREGATE BASE COURSE, TYPE A 6"
2 1/2" POLYMERIZED HOT-MIX ASPHALT BINDER COURSE, IL-19.0, N50
1 1/2" POLYMERIZED HOT-MIX ASPHALT SURFACE COURSE, IL-9.5, MIX "C", N50
A-2 BITUMINOUS SURFACE TREATMENT



MONTICELLO FACILITY ADDRESS:
 676-E OLD ROUTE 47
 MONTICELLO, IL 61856
 PIATT COUNTY

BENCHMARK:
 CONCRETE POST IN NORTHWEST CORNER OF YARD
 "MONT MAINT"
 ELEVATION = 671.16

NOTE: EXISTING PAVEMENT STRUCTURE (AGG/OIL&CHIP) REMOVAL PAID FOR AS EARTH EXCAVATION.

* DEWITT & PIATT
 ** CLINTON/MONTICELLO IMP 2022-1
 *** STORAGE FACILITY AT CLINTON AND MONTICELLO

MODEL: \\MODEL\MNMF
 FILE: \\MAIL: piatt\pub\cadd\paw\benefy.com\PIV\DOT\Documents\DOT Office\Dir\dr: S\Project\057045\CADD\Drawn\CAD\Sheets\057045-shs-flor_Sheets.dgn

USER NAME = meglisk	DESIGNED -	REVISED -
DRAWN -	REVISED -	
PLOT SCALE = 60,00' / in.	CHECKED -	REVISED -
PLOT DATE = 02/01/22	DATE -	REVISED -

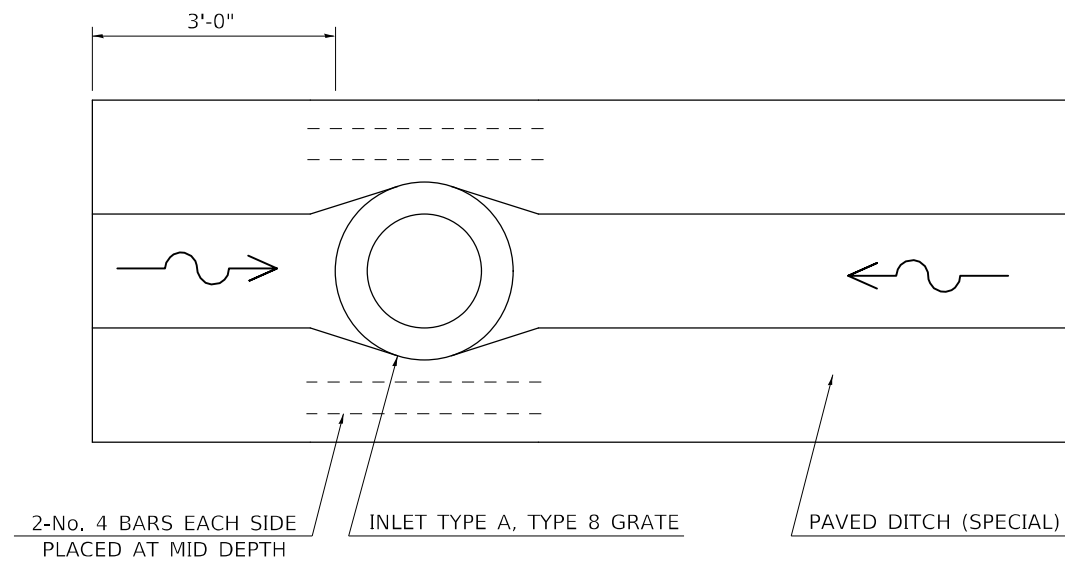
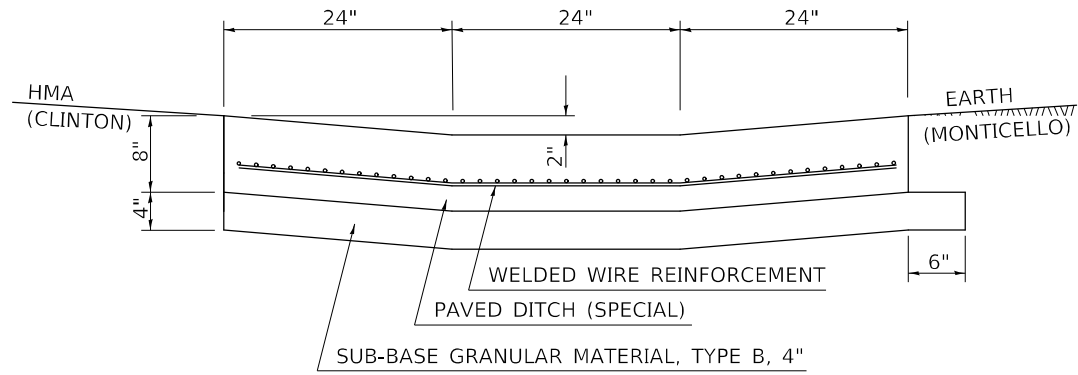
**STATE OF ILLINOIS
 DEPARTMENT OF TRANSPORTATION**

MONTICELLO PLAN SHEET

SCALE: 1"=30' SHEET 2 OF 2 SHEETS STA. TO STA.

F.A. RTE.	SECTION	COUNTY	TOTAL SHEETS	SHEET NO.
***	**	-	9	8
CONTRACT NO. 70F45				
ILLINOIS FED. AID PROJECT				

DIMENSIONS OF PAVED DITCH (SPECIAL)



PLAN VIEW AT INLET LOCATION

NOTES

This work shall consist of constructing a special paved ditch as specified herein, at the locations shown on the plans, and in accordance with the applicable portions of Section 606 of the Standard Specifications.

The proposed Paved Ditch (Special) shall be constructed with the cross section shown on the details herein.

Paved Ditch (Special) will be measured for payment in (feet) along the flow line.

Sub-Base Granular Material, Type B 4" shall be constructed under the Paved Ditch (Special).

This work will be paid for at the contract unit price per foot for PAVED DITCH (SPECIAL).

* DEWITT & PIATT
 ** CLINTON/MONTICELLO IMP 2022-1
 *** STORAGE FACILITY AT CLINTON AND MONTICELLO

MODEL: \\MODEL\MAME
 FILE: \\MAILS_P\public\paw_bentley.com\PIV\DOT\Documents\DOT_office\Dir\dir: S:\Project\1057045\CADD\data\CAD\sheet\1057045-shh-detail-paved_ditch_special.dgn

USER NAME = meglisk	DESIGNED -	REVISED -
	DRAWN -	REVISED -
PLOT SCALE = 40,0000 * / in.	CHECKED -	REVISED -
PLOT DATE = 02/01/22	DATE -	REVISED -

**STATE OF ILLINOIS
 DEPARTMENT OF TRANSPORTATION**

PAVED DITCH (SPECIAL) DETAILS

SCALE: N/A SHEET 1 OF 1 SHEETS STA. TO STA.

F.A. RTE.	SECTION	COUNTY	TOTAL SHEETS	SHEET NO.
***	**	-	9	9
CONTRACT NO. 70F45				
ILLINOIS FED. AID PROJECT				