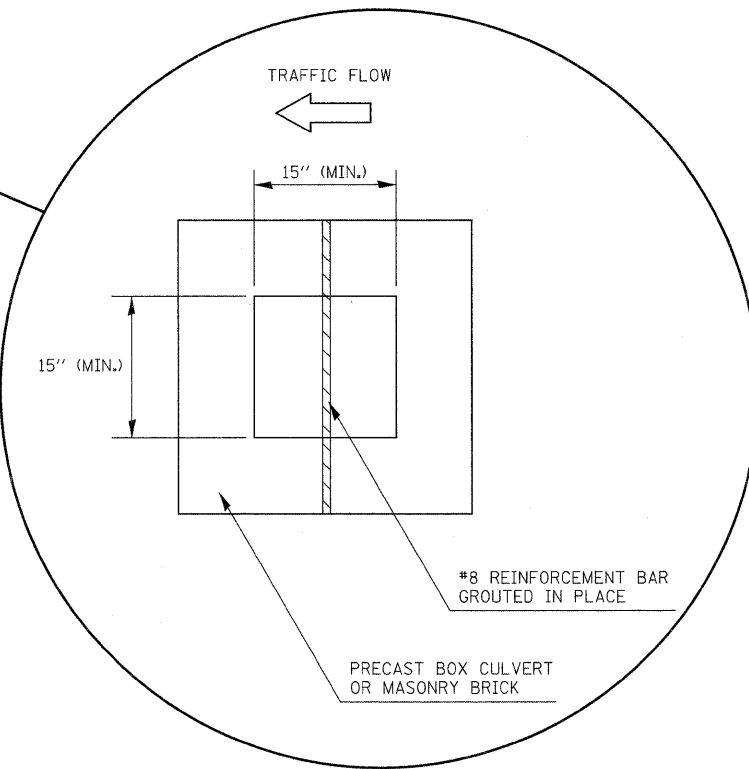


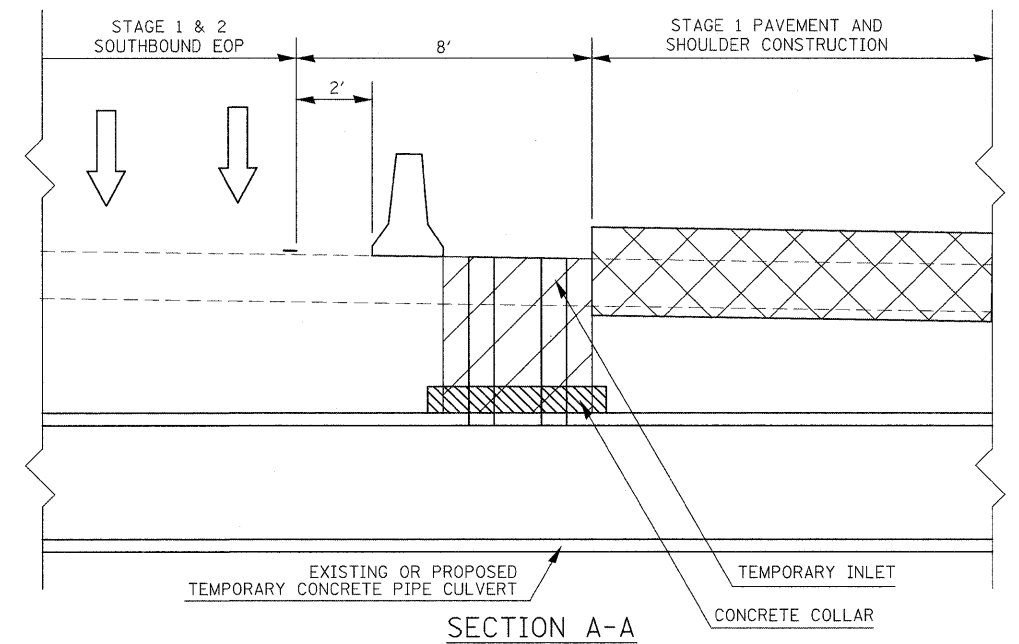
PLAN (STAGE 1)

STAGE 1 PAVEMENT AND SHOULDER CONSTRUCTION

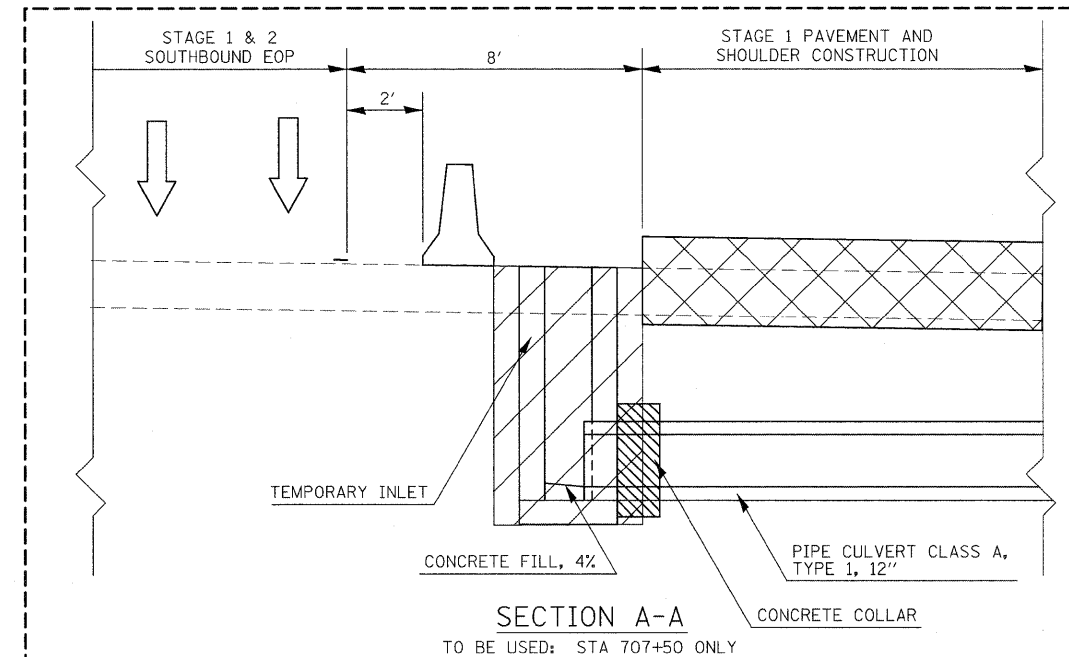


TO BE USED:

- STA 691+70
- STA 707+50
- STA 723+50
- STA 737+00
- STA 749+00
- STA 761+00
- STA 776+40
- STA 785+00
- STA 800+50
- STA 810+00

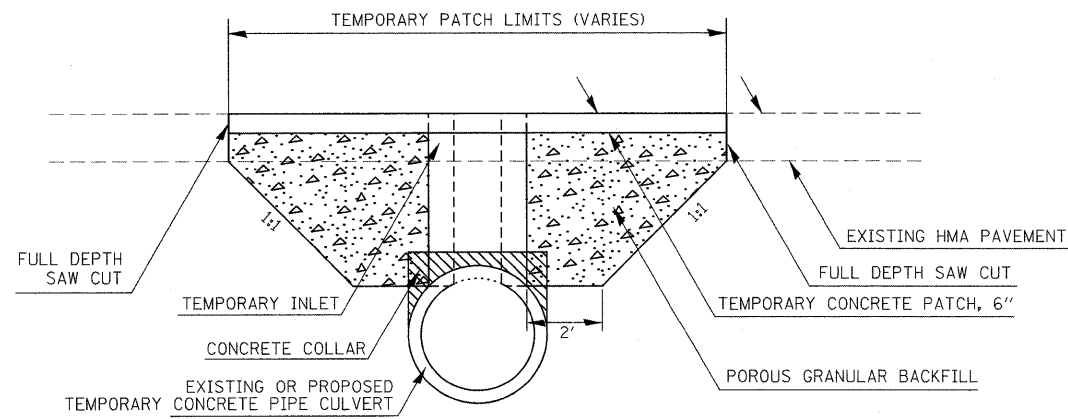


SECTION A-A

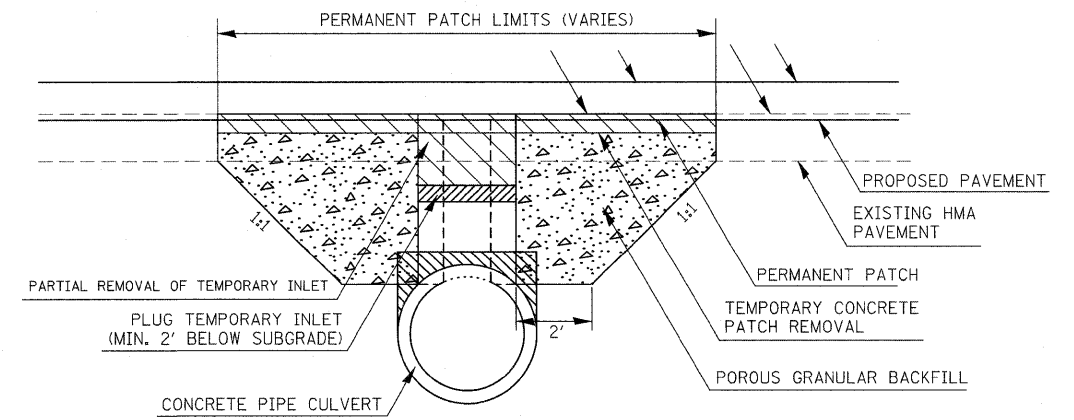


SECTION A-A

TO BE USED: STA 707+50 ONLY



ELEVATION (STAGE 1)



ELEVATION (STAGE 3)

FILE NAME =  
c:\pw\_work\psdot\colemm\d0169788\78172

USER NAME = colemm  
aht\_schedules.dgn  
PLOT SCALE = 50,0000 ' / IN.  
PLOT DATE = 2/4/2011

DESIGNED -  
DRAWN -  
CHECKED -  
DATE -

REVISED -  
REVISED -  
REVISED -  
REVISED -

STATE OF ILLINOIS  
DEPARTMENT OF TRANSPORTATION

TEMPORARY INLET DETAIL

SCALE: SHEET NO. OF SHEETS STA. TO STA.

F.A.I. RTE. 57	SECTION	COUNTY Jefferson	TOTAL SHEETS 422	SHEET NO. 162
ILLINOIS FED. AID PROJECT			CONTRACT NO. 78172	