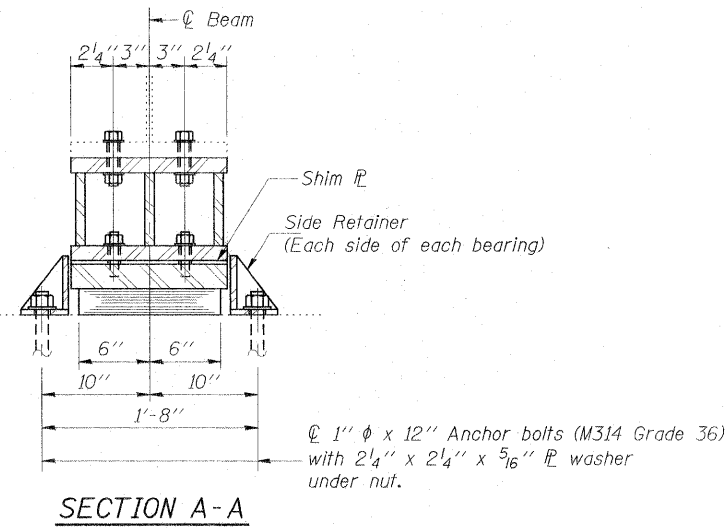
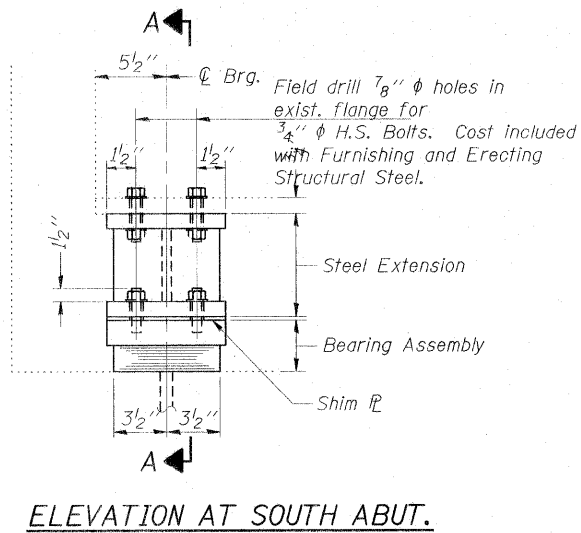


STATE OF ILLINOIS
DEPARTMENT OF TRANSPORTATION



Notes:

Anchor bolts shall be ASTM F1554 all-thread (or an Engineer-approved alternate material) of the grade(s) and diameter(s) specified. ASTM A307 Grade C anchor bolts may be used in lieu of ASTM F1554 Grade 36 (Fy=36ksi). The corresponding specified grade of AASHTO M314 anchor bolts may be used in lieu of ASTM F1554.

Drilled and set anchor bolts shall be installed according to Article 521.06 of the Standard Specifications.

Side retainers and other steel members required for the bearing assembly shall be included in the cost of Elastomeric Bearing Assembly, Type I.

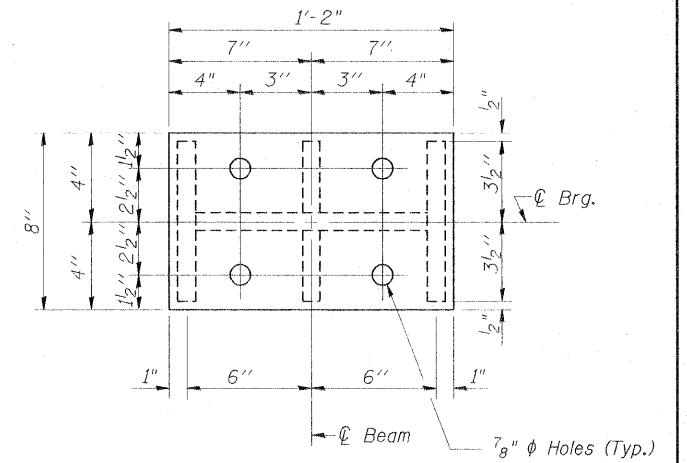
The minimum jack capacity required is 35 Tons.

Existing diaphragm removal and reinstallation may be required to facilitate drilling holes, cost to be included with "Jack and Remove Existing Bearings".

Prior to ordering any material, the Contractor shall verify in the field all bearing height and shim thickness dimensions.

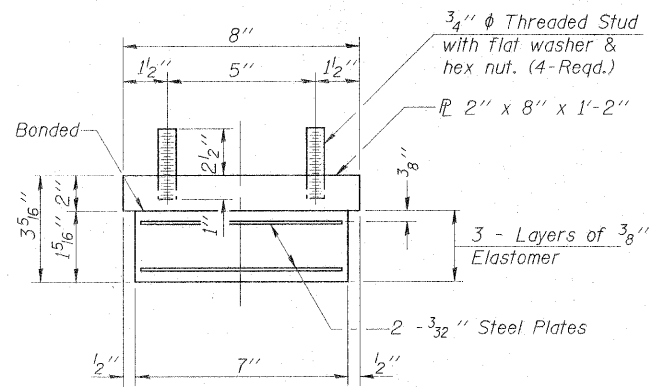
Two 1/8 inch adjusting shims shall be provided for each bearing in addition to all other plates or shims and placed as shown on bearing details.

New steel extensions, connection bolts, Fill plates and Shim plates are included in "Furnishing and Erecting Structural Steel".



TYPE I ELASTOMERIC EXP. BRG.

PLAN-TOP & BOTTOM PLATE



BEARING ASSEMBLY

Note: Shim plates shall not be placed under Bearing Assembly.

GIRDER REACTIONS

R _P	(K)	18.3
R _E	(K)	36.4
Imp.	(K)	10.8
R (Total)	(K)	65.5

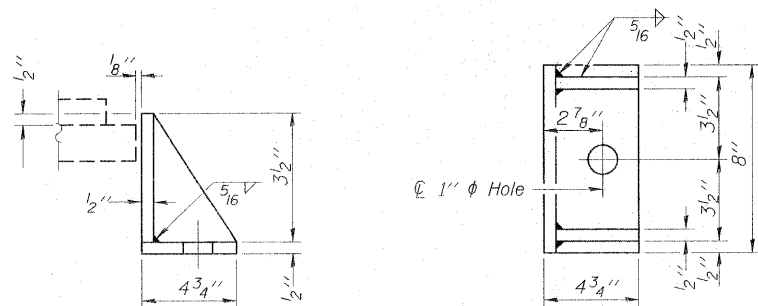
Existing Plate to be removed using the air-arc method and grind smooth all weld material remaining on the bottom flange.

Burn the existing anchor bolts flush with existing concrete surface. Grind existing anchor bolts smooth and seal with epoxy.

ABUTS

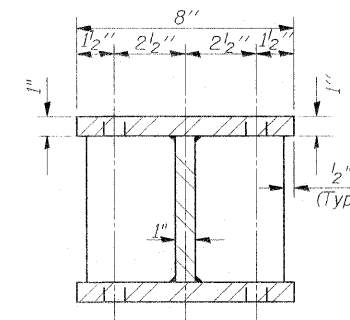
EXISTING BEARING REMOVAL DETAIL

Cost is included with Jack and Remove Existing Bearings

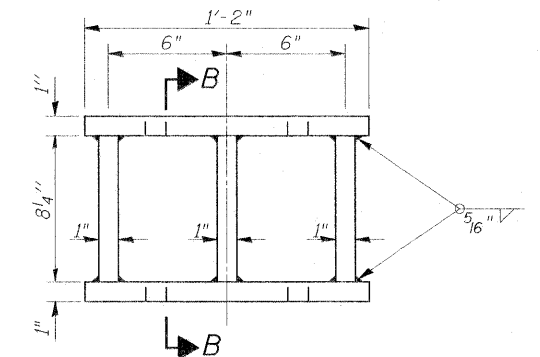


SIDE RETAINER

Equivalent rolled angle with stiffeners will be allowed in lieu of welded plates.



SECTION B-B



STEEL EXTENSION DETAIL

BILL OF MATERIAL

Item	Unit	Total
Elastomeric Bearing Assembly Type I	Each	8
Anchor Bolts, 1"	Each	16
Jack and Remove Existing Bearings	Each	8
Furnishing and Erecting Structural Steel	Pound	1190

**SOUTH ABUTMENT
BEARING DETAILS
STRUCTURE NO. 041-0012 (N.B)**