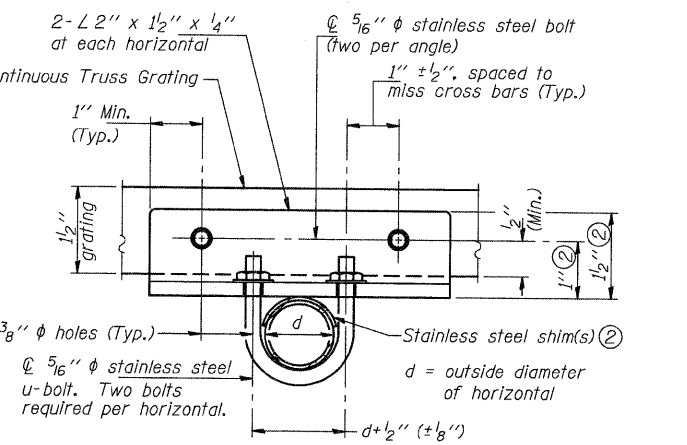
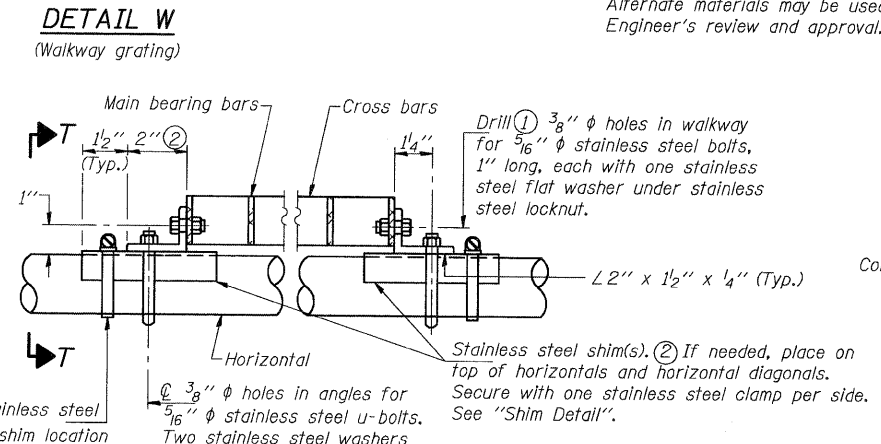
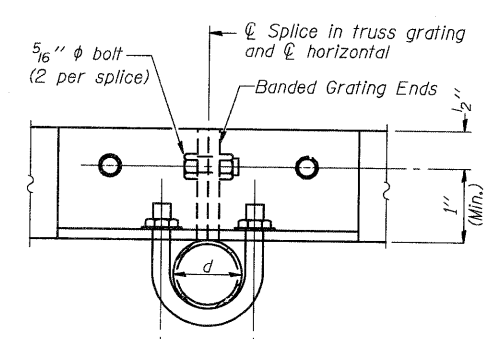
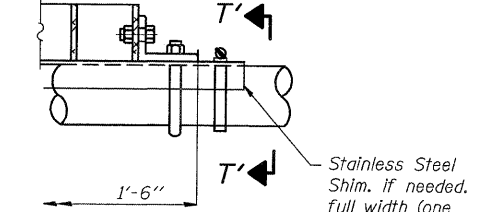
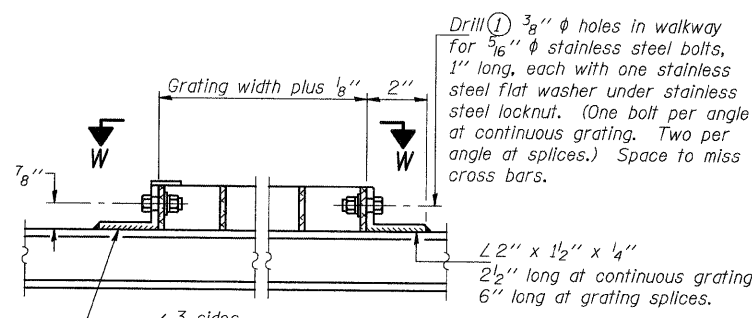
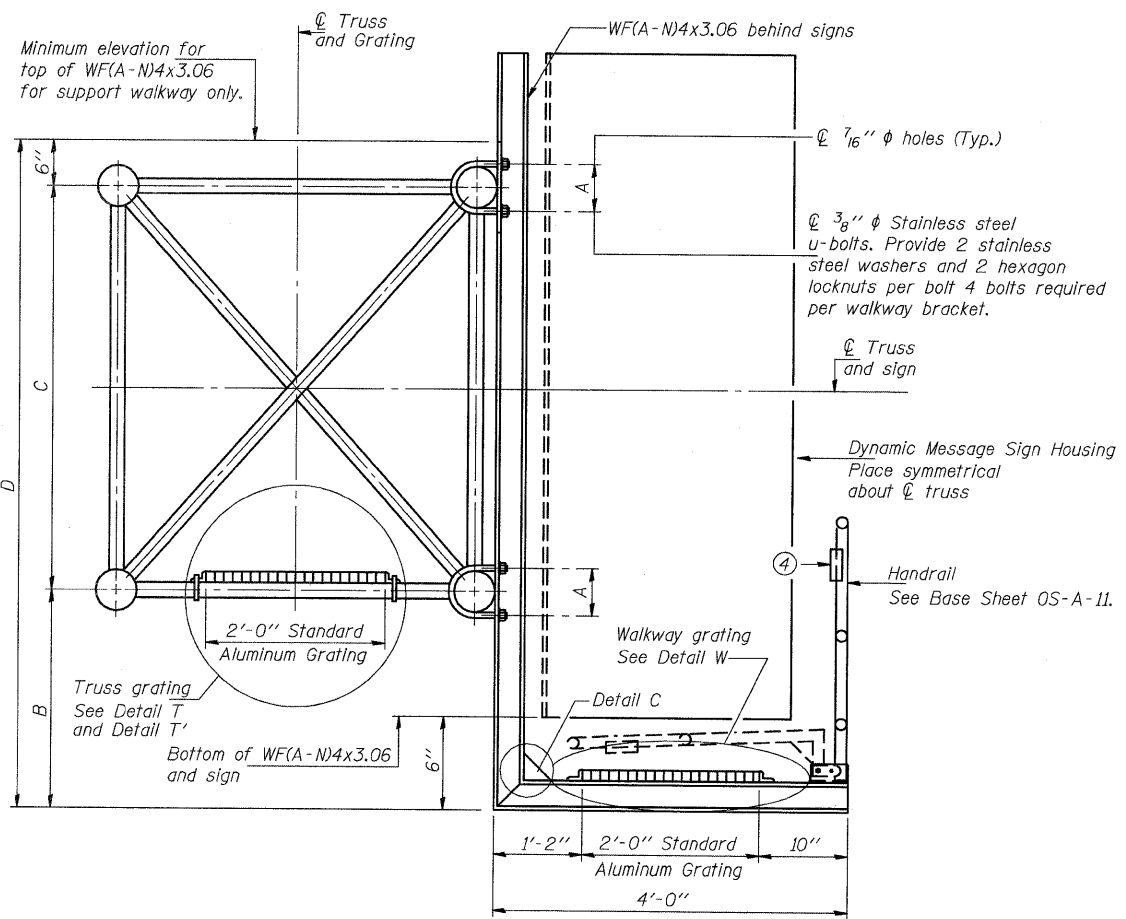
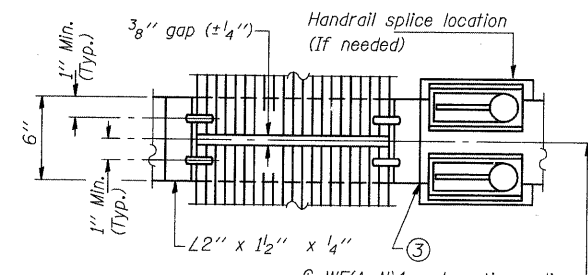
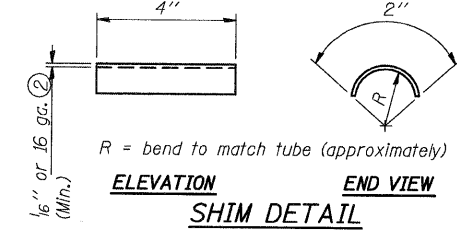


STATE OF ILLINOIS
DEPARTMENT OF TRANSPORTATION

ROUTE NO.	SECTION	COUNTY	TOTAL SHEETS	SHEET NO.	SHEET NO. ---
S. B. I.	**	**	34	30	---
F. A. I.	**	**	---	---	---



SECTION B-B



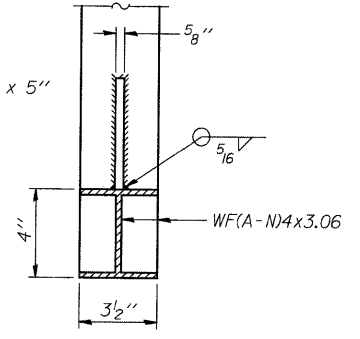
SPECIFICATIONS FOR STANDARD ALUMINUM GRATING

Main Bearing Bars shall be 3/16" x 1 1/2" on 1 3/16" centers and conform to ASTM B211 Alloy 6061-T6.
Cross bars shall be 3/16" x 1 1/2" on 4" centers and conform to ASTM B221 Alloy 6063-T5 or 6061-T6.

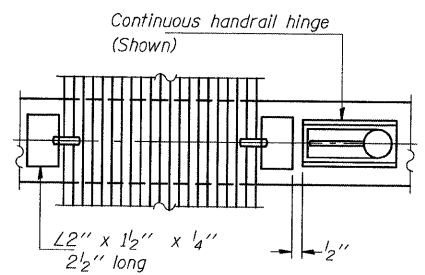
OR

Aluminum Grating with modified "4" sections for main bearing bars shall meet the following requirements:
Main bars shall conform to ASTM B221 Alloy 6061-T6 and have a minimum section modulus equal to 0.0705 in.³ per bar, a depth of 1 1/2", spaced on 1 3/16" centers.
Cross bars shall conform to ASTM B221 Alloy 6063-T5 or T-42 and spaced on 4" centers.

- Drilling holes in grating may be done in shop or field, based on Contractor's preference and subject to accurate alignment.
- Stainless steel shims shall be placed as shown in Detail T if needed to compensate for alignment variations between horizontal and diagonal pipes beyond adjustment provided by angles. Thicker shims may be used subject to shims performing properly.
- If Handrail Joint present, weld angle to WF(A-N)4 and 1/4" extension bars. (See Base Sheet OS-A-11.)
- 1/8" x 1/2" x 2" welded to handrail posts to protect locations that contact grating.



SECTION C-C



SECTION W-W
(CONTINUOUS WALKWAY GRATING)

DESIGNED	19
CHECKED	EXAMINED
DRAWN	PASSED
CHECKED	ENGINEER OF STRUCTURAL SERVICES
	ENGINEER OF BRIDGES AND STRUCTURES

NUMBER	REVISION	DATE

Structure Number	Station	A	B	C	D
8S0821064L010.8	466+75	7 1/2"	1'-3"	7'-0"	9'-0"
8S0601055L012.3	579+50	7 1/2"	1'-3"	7'-0"	9'-0"
8S0601270L008.4	528+00	7 1/2"	1'-3"	7'-0"	9'-0"

OS-A-10-DMS 7/1/2001

FILE NAME =	USER NAME = prestonme	DESIGNED -	REVISED -
ct:\pw\work\pwi\dot\prestonme\d0239212\d076e70-sh-t-ITS.dgn		DRAWN -	REVISED -
		CHECKED -	REVISED -
		DATE -	REVISED -

PLOT SCALE = 100.0000' / IN.	CHECKED -	REVISED -
PLOT DATE = 1/28/2011	DATE -	REVISED -

STATE OF ILLINOIS
DEPARTMENT OF TRANSPORTATION

EX. OVERHEAD SIGN STRUCTURES
ALUMINUM WALKWAY DETAILS 2 OF 2

FOR INFORMATION, ONLY

SCALE: _____	SHEET NO. _____ OF _____ SHEETS	STA. _____ TO STA. _____	F.A.I. R.T.E. 64	SECTION DIST. 8 ITS 2011-3	COUNTY ST. CLAIR	TOTAL SHEETS 10	SHEET NO. 10	
							CONTRACT NO. 76E70	
FED. ROAD DIST. NO. _____ ILLINOIS FED. AID PROJECT								