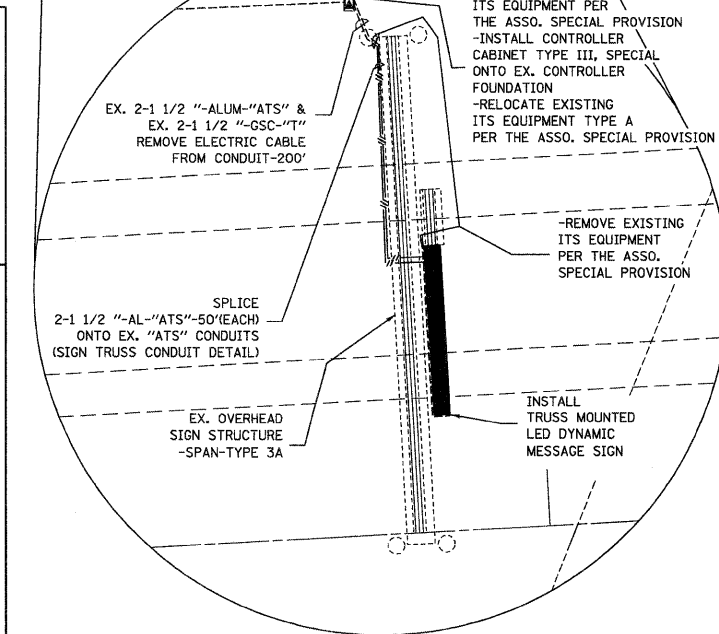
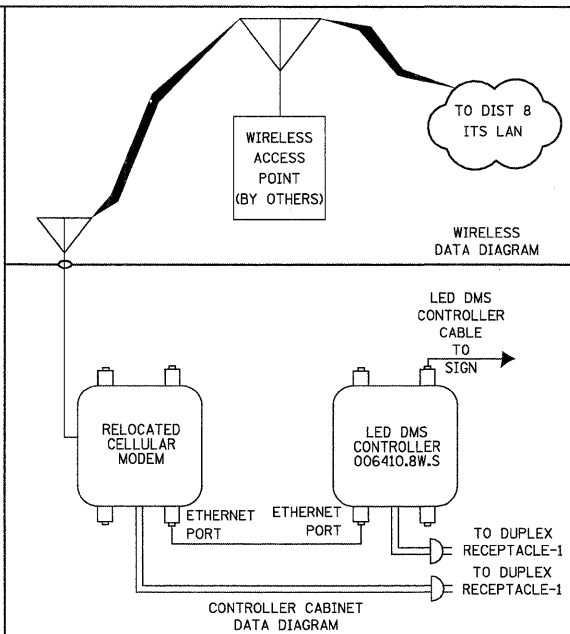
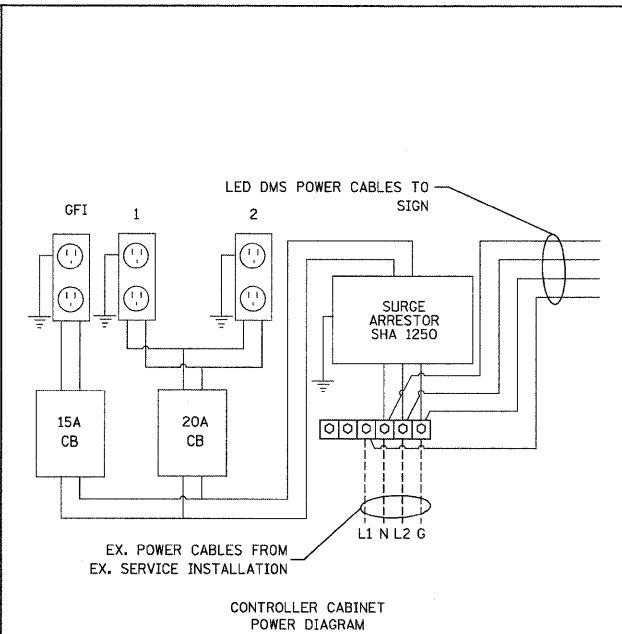
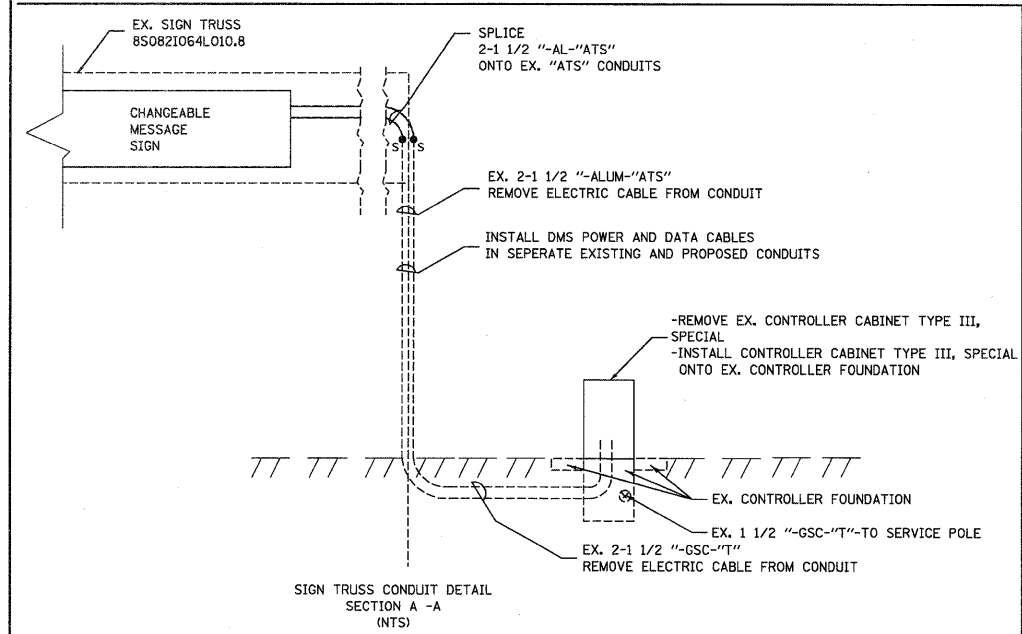
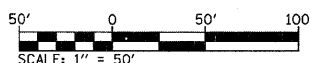


ELECTRICAL SERVICE ADDRESS
 5 COZY LANE
 FAIRVIEW HEIGHTS, IL. 62208
 SERVICE INSTALLATION, TYPE A
 LOCATE AT ROW FENCE



FILE NAME =	USER NAME = prestonme	DESIGNED -	REVISED -
ca:\pwwork\pwwork\prestonme\d0239212\d0876e70-sht-ITS.dgn	76e70-sht-ITS.dgn	DRAWN -	REVISED -
PLOT SCALE = 100.0000 / IN.		CHECKED -	REVISED -
PLOT DATE = 1/28/2011		DATE -	REVISED -

**STATE OF ILLINOIS
 DEPARTMENT OF TRANSPORTATION**

**LED DMS REPLACEMENT PLAN,
 TRUSS CONDUIT AND CONTROLLER DIAGRAMS**

SCALE: _____ SHEET NO. ___ OF ___ SHEETS STA. _____ TO STA. _____

F.A.I. RTE.	SECTION	COUNTY	TOTAL SHEETS	SHEET NO.
64	DIST. 8 ITS 2011-3	ST. CLAIR	10	3
FED. ROAD DIST. NO. - ILLINOIS FED. AID PROJECT			CONTRACT NO. 76E70	