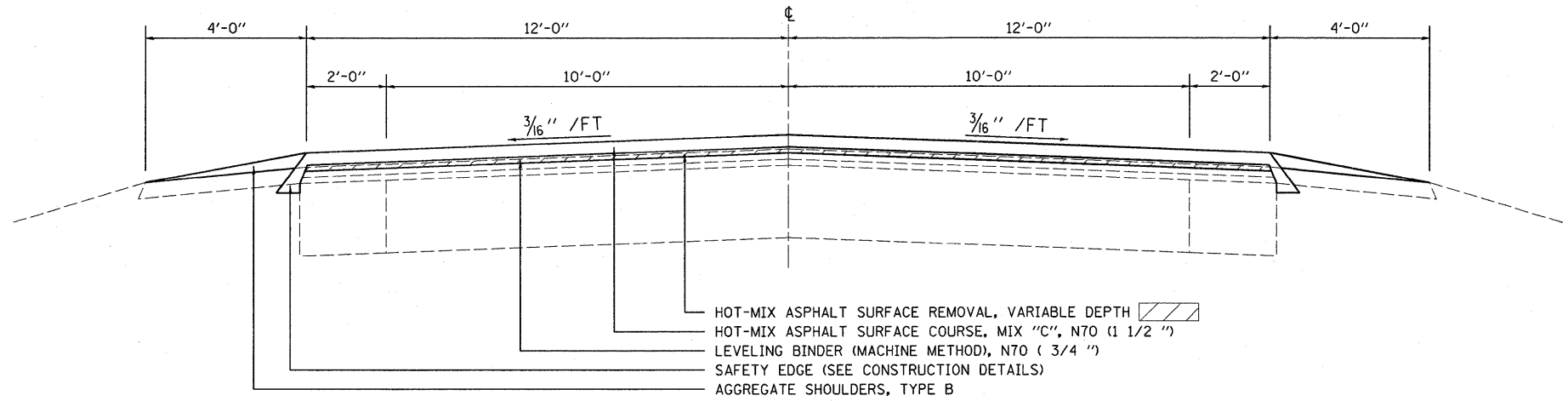
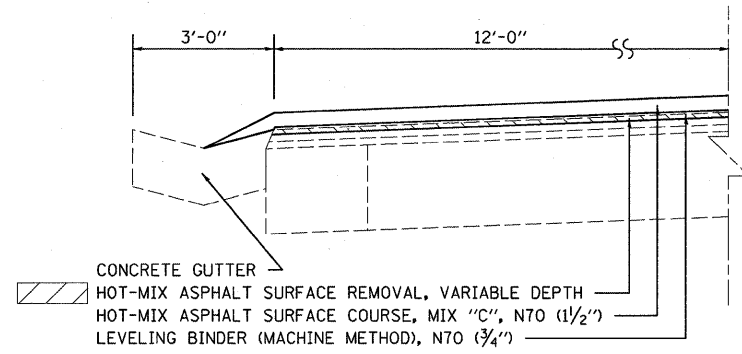


PROPOSED TYPICAL CROSS SECTION

STATION 74+62.22 TO STATION 211+34.00
 STATION 213+86.00 TO STATION 320+91.00
 STATION 364+27.00 TO STATION 416+60.00

CONCRETE GUTTER DETAIL

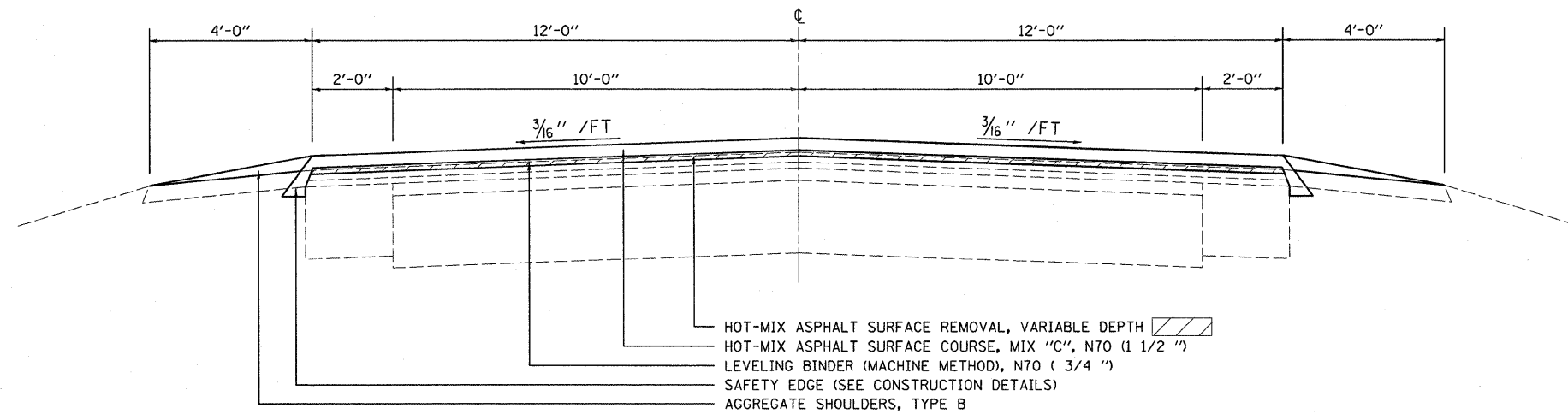
STATION 366+53.00 LT TO STATION 368+26.00 LT



NOTE: NOT DRAWN TO SCALE

PROPOSED TYPICAL CROSS SECTION

STATION 211+34.00 TO STATION 213+86.00
 STATION 320+91.00 TO STATION 334+16.00
 STATION 361+10.00 TO STATION 364+27.00
 STATION 416+60.00 TO STATION 472+00.00



NOTE: NOT DRAWN TO SCALE

FILE NAME =	USER NAME = swartzrw	DESIGNED -	REVISED -	STATE OF ILLINOIS DEPARTMENT OF TRANSPORTATION	PROPOSED TYPICAL CROSS SECTION			F.A.S. RTE.	SECTION	COUNTY	TOTAL SHEETS	SHEET NO.
ca:\pwork\owidot\swartzrw\d0242172\d77	507-shr-typrools.dgn	DRAWN -	REVISED -		677	(15-2,15-1,15,11)RS-1	COLES	63	10			
PLOT SCALE = 20.0000' / IN.	CHECKED -	REVISED -	REVISED -		SCALE: NA SHEET NO. 2 OF 4 SHEETS STA. TO STA.			CONTRACT NO. 74507				
PLOT DATE = 1/31/2011	DATE -	REVISED -	REVISED -		ILLINOIS FED. AID PROJECT							