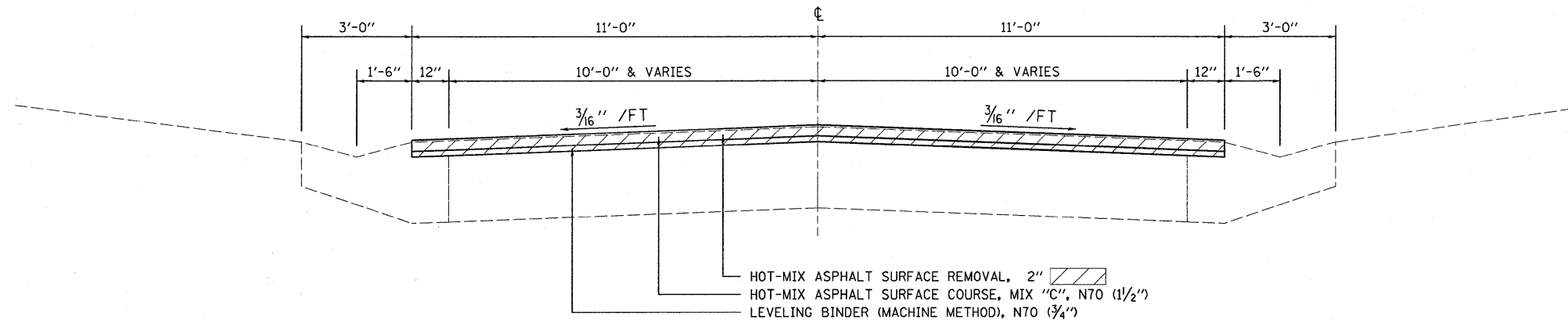


PROPOSED TYPICAL CROSS SECTION

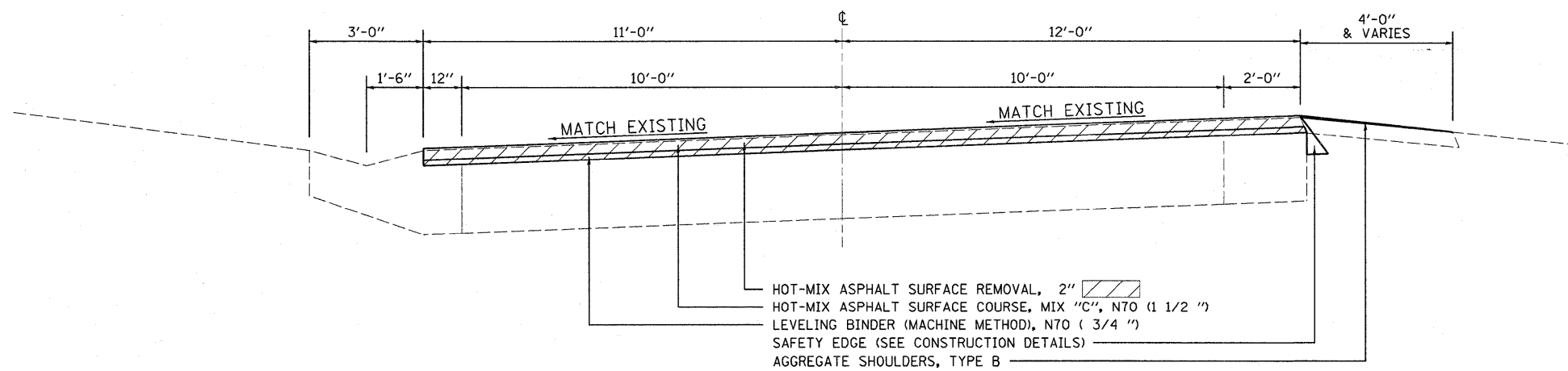
STATION 50+04.50 TO STATION 57+57.10



NOTE: NOT DRAWN TO SCALE

PROPOSED TYPICAL CROSS SECTION

STATION 57+57.10 TO STATION 74+62.22



NOTE: NOT DRAWN TO SCALE

FILE NAME =	USER NAME = swartzrw	DESIGNED -	REVISED -	STATE OF ILLINOIS DEPARTMENT OF TRANSPORTATION	PROPOSED TYPICAL CROSS SECTION			F.A.S. RTE.	SECTION	COUNTY	TOTAL SHEETS	SHEET NO.
ca:\pwork\pwork\swartzrw\d0242172\d77	587-shr-typicals.dgn	DRAWN -	REVISED -		677	(15-2,15-1,15,11)RS-1	COLES	63	9			
PLOT SCALE = 20,0000 ' / IN.	CHECKED -	REVISED -	REVISED -		SCALE: NA SHEET NO. 1 OF 4 SHEETS STA. TO STA.			CONTRACT NO. 74507				
PLOT DATE = 1/31/2011	DATE -	REVISED -	REVISED -		ILLINOIS FED. AID PROJECT							