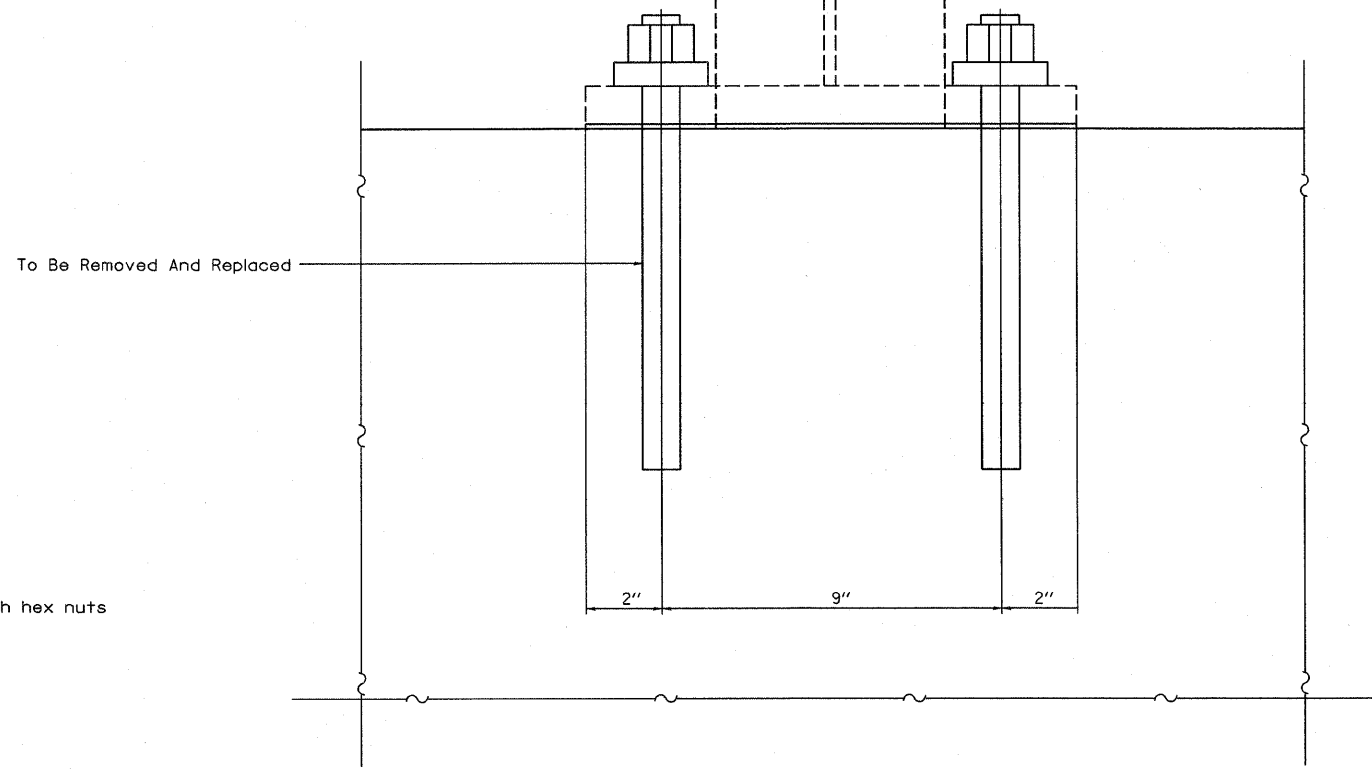
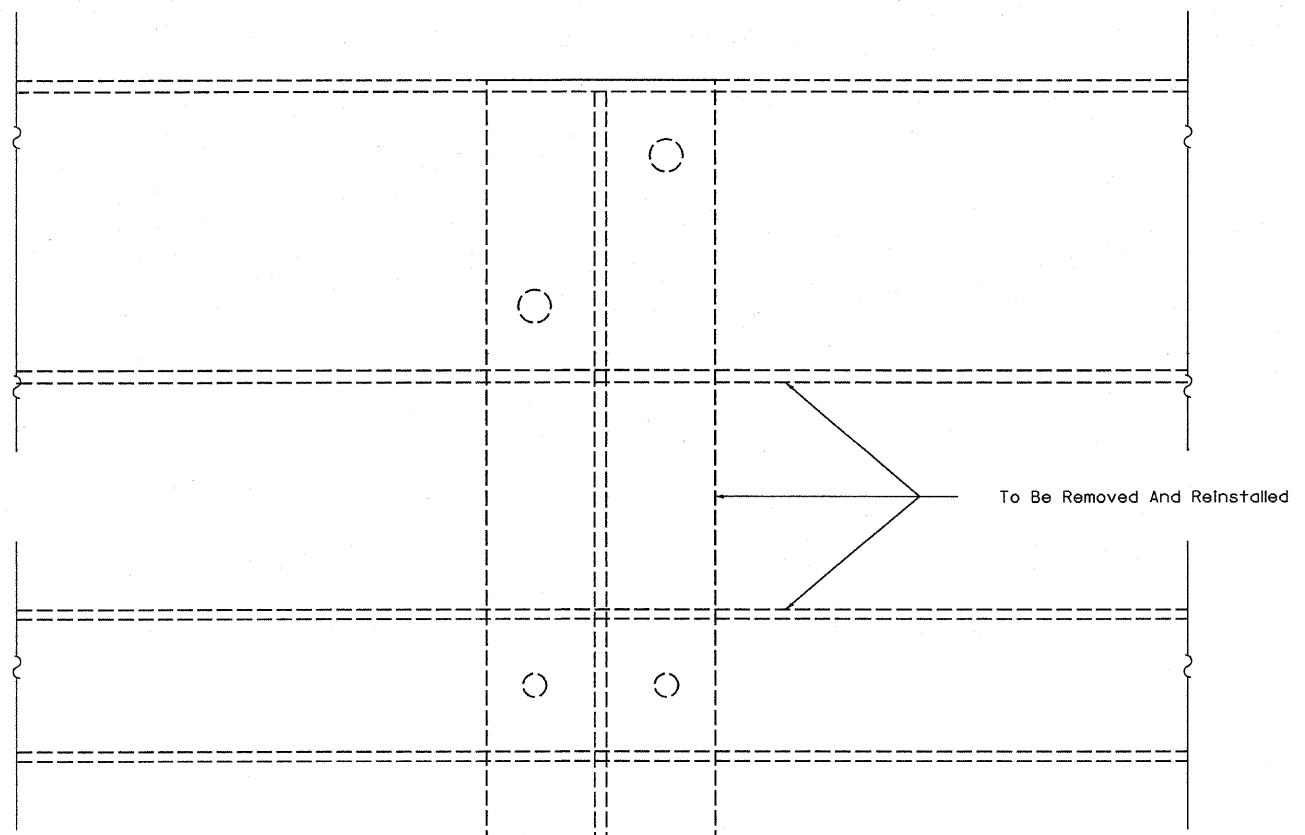


Note: New epoxy grouted threaded anchor rods will be required at each location where posts are connected to new construction. Cost shall be included with Concrete Superstructure.



FILE NAME =	USER NAME = swartzw	DESIGNED <i>ESS</i>	REVISED -	STATE OF ILLINOIS DEPARTMENT OF TRANSPORTATION	STEEL BRIDGE RAIL CURB MOUNTED SN. 080-0005		*15-2VB-1,5-2HB,5-2VB-2IBR-2		F.A.P. RTE.	SECTION	COUNTY	TOTAL SHEETS	SHEET NO.	
es:\pw_work\pwidot\swartzw\d0207669\077482-sht-brdetails-0602005.dgn		DRAWN <i>ESS</i>	REVISED -		327	.	Richland	53	47	CONTRACT NO. 74482		ILLINOIS FED. AID PROJECT		
		CHECKED <i>MEA</i>	REVISED -		SCALE: NA		SHEET NO. 11 OF 13 SHEETS		STA.		TO STA.			
		DATE <i>12/27/2010</i>	REVISED -											