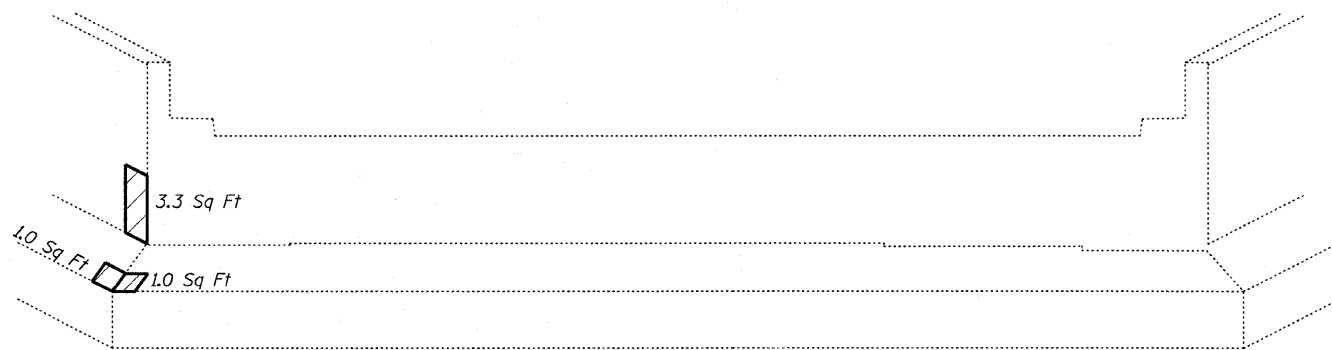

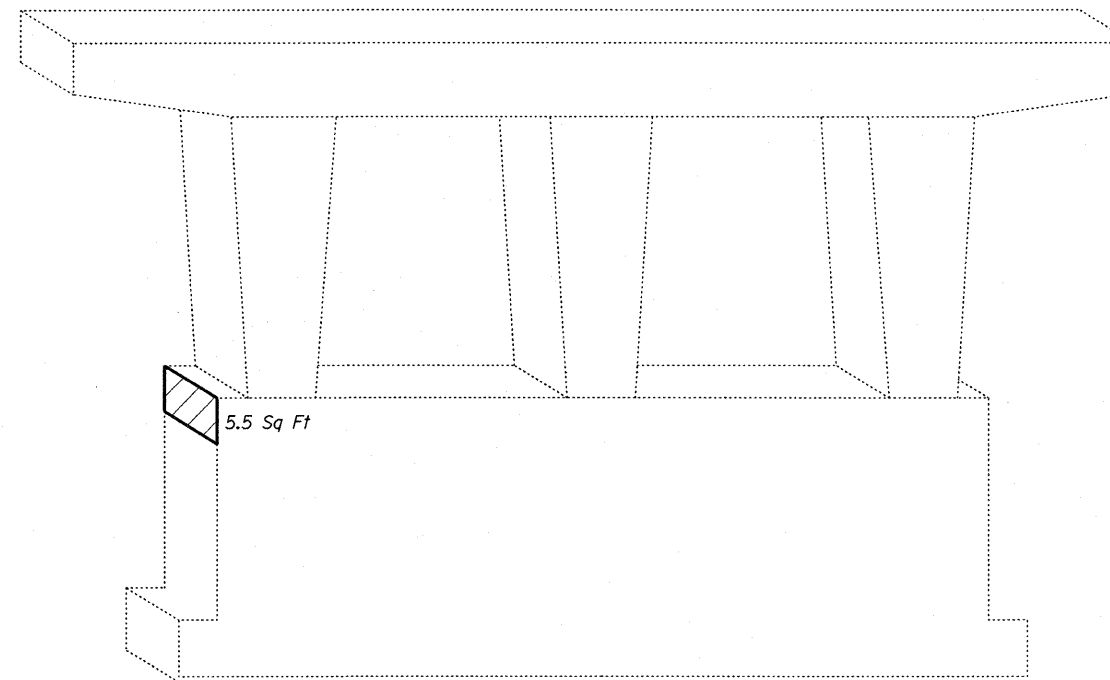


**EAST ABUTMENT**  
(Looking East)

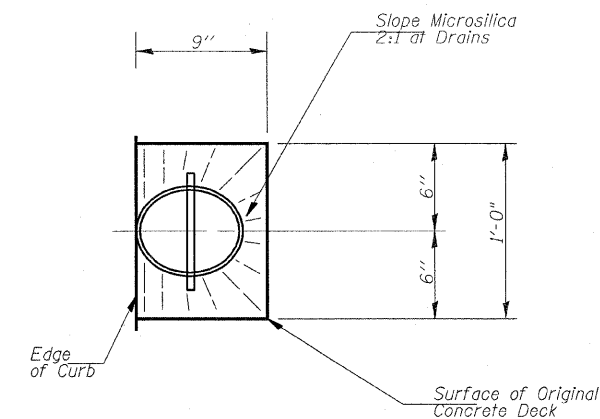


**WEST ABUTMENT**  
(Looking West)

 STRUCTURAL REPAIR OF CONCRETE (DEPTH < 5")



**EAST PIER**  
(Looking West)



**TOP PLAN OF MICROSILICA AT FLOOR DRAIN LOCATIONS**

FILE NAME =	USER NAME = swartzw	DESIGNED <i>KLB</i>	REVISED -
c:\pwork\pwork\swartzw\d0207669\077482-shl-bndetail-0820085.dgn		DRAWN <i>KLB</i>	REVISED -
PLOT SCALE = 20,000 "/> <td></td> <td>CHECKED <i>MEA</i></td> <td>REVISED -</td>		CHECKED <i>MEA</i>	REVISED -
PLOT DATE = 1/27/2011		DATE <i>12/6/2010</i>	REVISED -

**STATE OF ILLINOIS  
DEPARTMENT OF TRANSPORTATION**

**STRUCTURAL REPAIR - SUBSTRUCTURE & MICROSILICA DETAIL  
SN. 080-0005**

SCALE: NA SHEET NO. 5 OF 13 SHEETS STA. TO STA.

*5-2VB-1,5-2HB,5-2VB-2IBR-2			
F.A.P. RTE.	SECTION	COUNTY	TOTAL SHEETS
327	.	Richland	53
		CONTRACT NO.	74482
ILLINOIS FED. AID PROJECT			