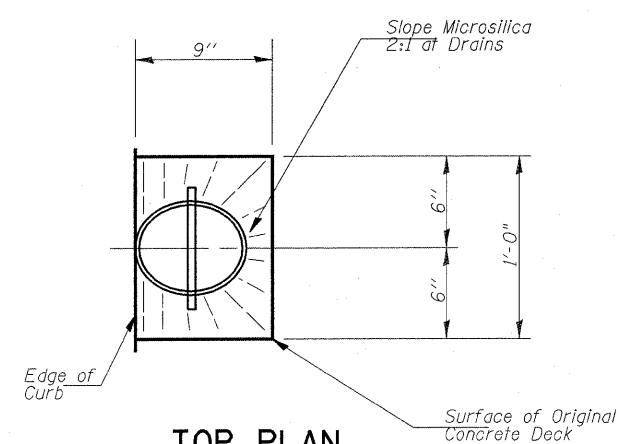
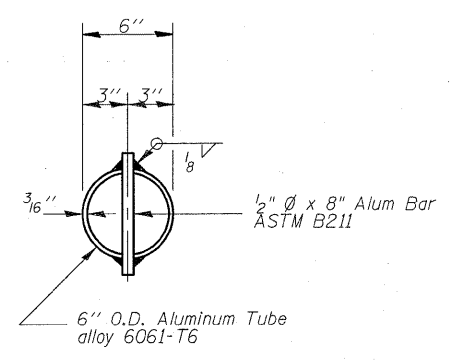


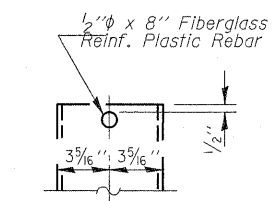
SECTION A-A



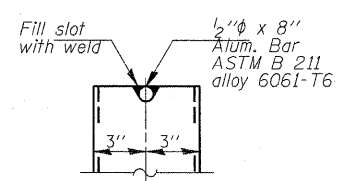
TOP PLAN



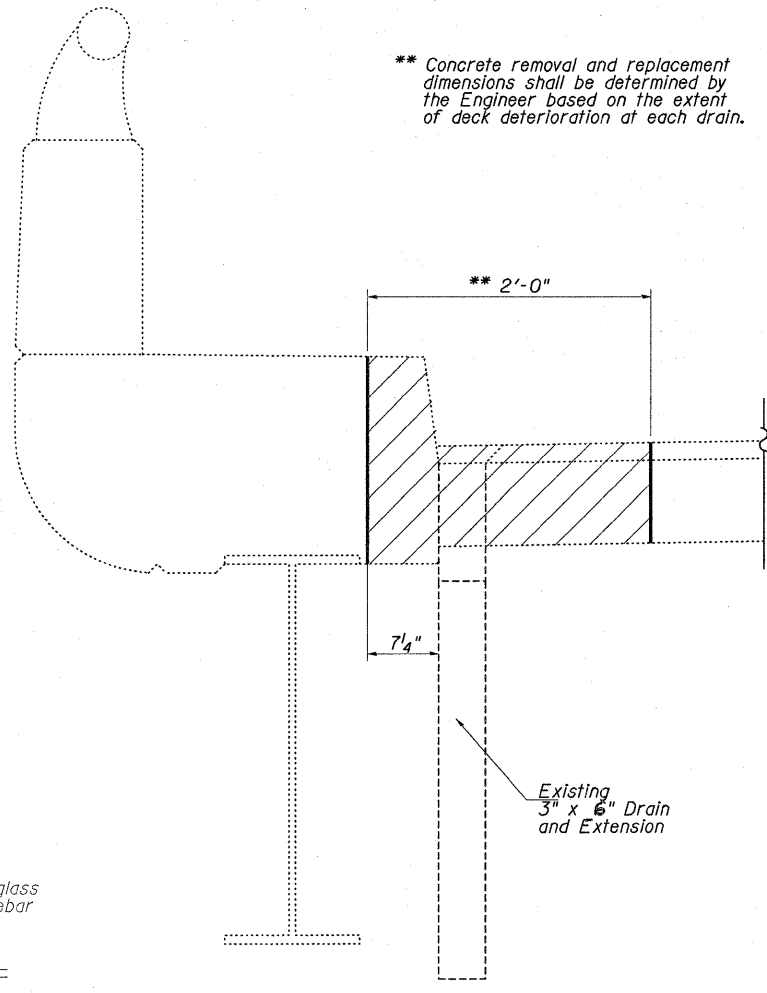
TOP PLAN
(Showing Aluminum Tube)



FIBERGLASS PIPE



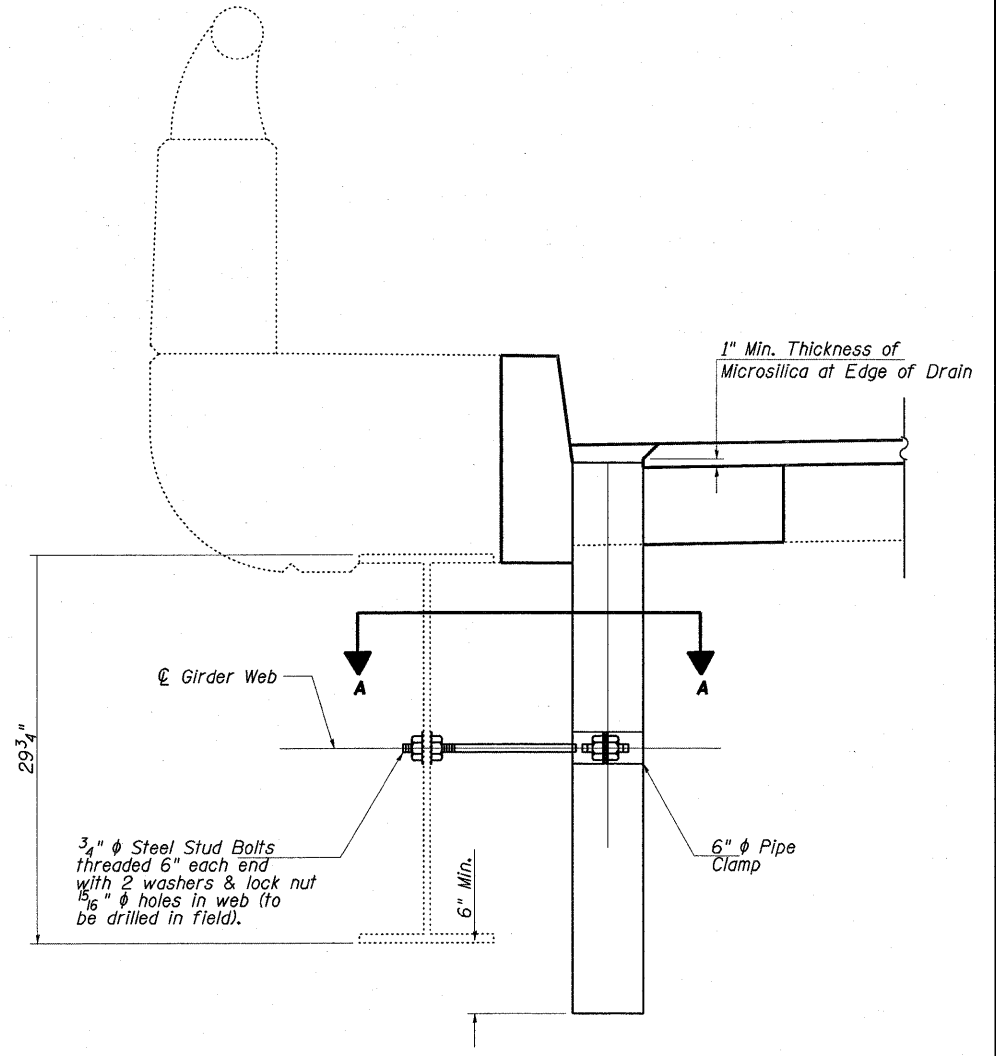
ALUMINUM TUBE



SECTION THRU EXISTING FLOOR DRAIN

Hatched area indicates concrete removal at floor drain replacement.

Note: Concrete removal and replacement quantities for drains are included in Deck Slab Repair as shown on "Bridge Deck Patching" plan sheets.



DRAIN REPLACEMENT DETAIL

Note: See "Bridge Deck Patching" plan sheets for Floor Drain replacement locations. Plug Existing Deck Drain locations. See "Total Bill of Materials" for each structure for quantities.

Note: The exterior surfaces of the drains shall be painted with the finish coat as specified in the special provisions for Cleaning and Painting New Metal Structures. The exterior surfaces of the drains shall be cleaned according to Society of Protective Coatings Spec. SSPC-SP1 prior to painting. Fiberglass pipe shall conform to ASTM D 2996, with short-time rupture strength hoops tensile stress of 30,000 p.s.i. minimum, Galvanize clamping device according to AASHTO M232. Cost of clamping device and galvanized included with Floor Drains.

FILE NAME =	USER NAME = swartzw	DESIGNED <i>KLB</i>	REVISED -
c:\pwwork\pwwork\swartzw\d8207669\077	482-sht-brd-dtals-080804.dgn	DRAWN <i>KLB</i>	REVISED -
	PLOT SCALE = 20.0000' / IN.	CHECKED <i>MEA</i>	REVISED -
	PLOT DATE = 1/27/2011	DATE <i>12/2/10</i>	REVISED -

**STATE OF ILLINOIS
DEPARTMENT OF TRANSPORTATION**

**FLOOR DRAIN DETAILS
SN. 080-0004**

SCALE: NA SHEET NO. 10 OF 15 SHEETS STA. TO STA.

*15-2VB-1,5-2HB,5-2VB-2IBR-2				
F.A.P. RTE.	SECTION	COUNTY	TOTAL SHEETS	SHEET NO.
327	*	Richland	53	31
			CONTRACT NO. 74482	
ILLINOIS FED. AID PROJECT				