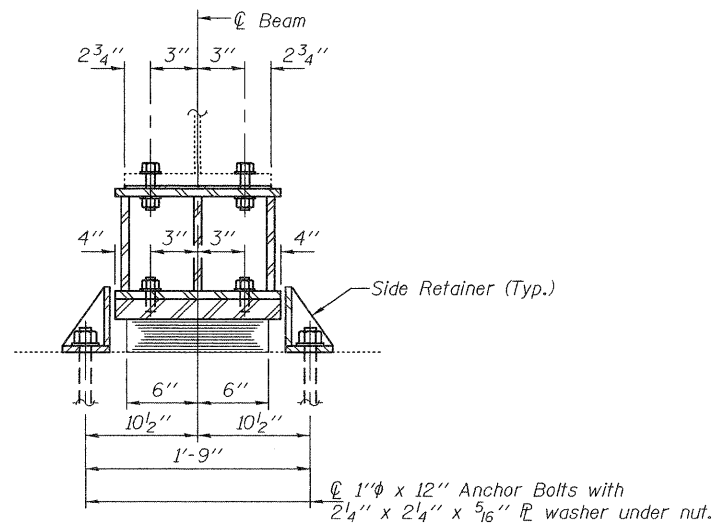


**ELEVATION AT ABUTMENT**

**TYPE I ELASTOMERIC EXP. BRG.**



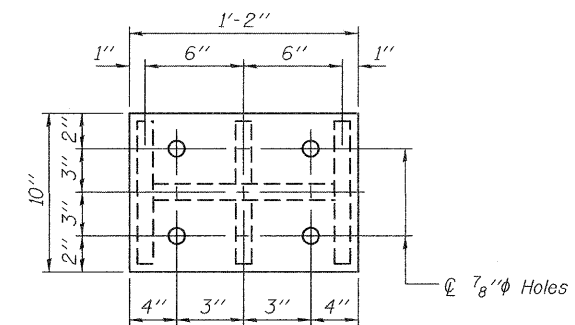
**SECTION A-A**

**BEAM REACTIONS**

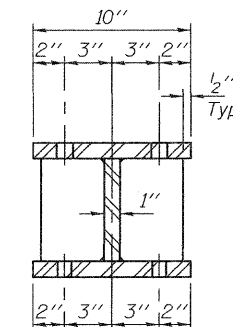
R <sub>P</sub>	(K)	20.7
R <sub>L</sub>	(K)	55.7
Imp.	(K)	15.9
R (Total)	(K)	92.3

**Notes:**

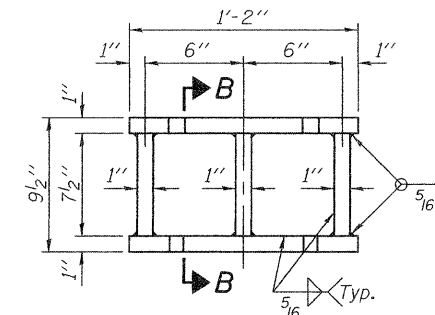
Diaphragm removal and reinstallation may be required to facilitate drilling holes. Cost included with Furnishing and Erecting Structural Steel.  
 New steel extensions, shim plates and connection bolts are included with Furnishing and Erecting Structural Steel.  
 Prior to ordering any material, the Contractor shall verify in the field all bearing height and shim thickness dimensions. Min. jack capacity = 45 Tons.  
 Anchor bolts shall be ASTM F1554 all-thread (or an Engineer-approved alternate material) of the grade(s) and diameter(s) specified. ASTM A307 Grade C anchor bolts may be used in lieu of ASTM F1554 Grade 36 (F<sub>y</sub>=36ksi). The corresponding specified grade of AASHTO M314 anchor bolts may be used in lieu of ASTM F1554.  
 Drilled and set anchor bolts shall be installed according to Article 521.06 of the Standard Specifications.  
 Side retainers shall be included in the cost of Elastomeric Bearing Assembly, Type I.



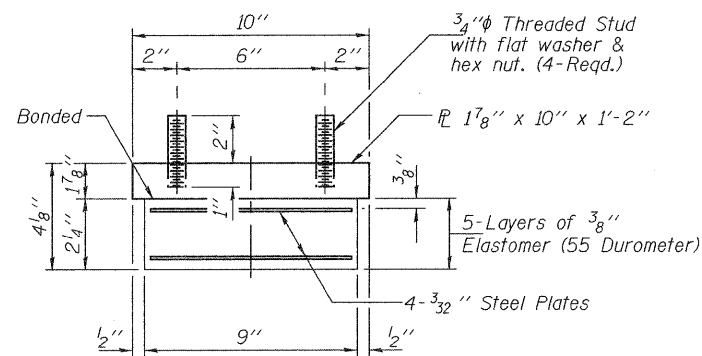
**PLAN TOP AND BOTTOM PLATE**



**SECTION B-B**

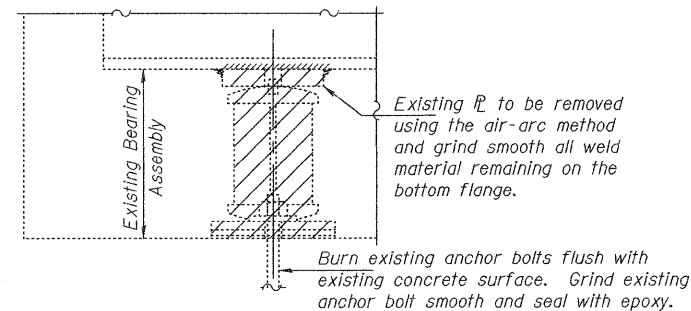


**STEEL EXTENSION DETAIL**



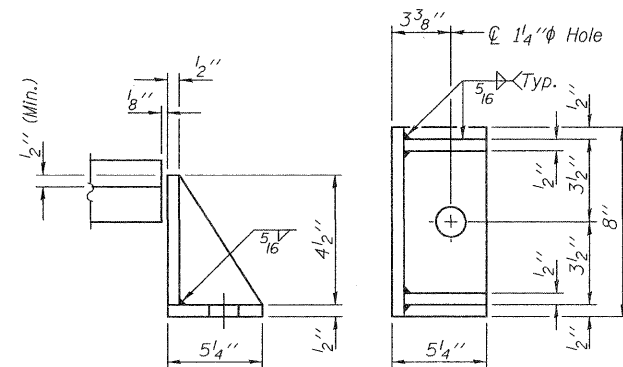
**BEARING ASSEMBLY**

Note: Shim plates shall not be placed under Bearing Assembly.



**EXISTING BEARING REMOVAL DETAIL**

Cost included with Jack and Remove Existing Bearings.



**SIDE RETAINER**

Equivalent rolled angle with stiffeners will be allowed in lieu of welded plates.

**BILL OF MATERIAL**

Item	Unit	Total
Elastomeric Bearing Assembly, Type I	Each	6
Jack and Remove Existing Bearings	Each	6
Furnishing and Erecting Structural Steel	Pound	960
Anchor Bolts 1"φ	Each	12

**TYI/REPS**

DESIGNED - ADY  
 CHECKED - DAB  
 DRAWN - Kyle M. Steffen  
 CHECKED - ADY DAB

EXAMINED  
 PASSED  
 ACTING ENGINEER OF STRUCTURAL SERVICES  
 ACTING ENGINEER OF BRIDGES AND STRUCTURES

DATE - MARCH 14, 2011

**STATE OF ILLINOIS  
 DEPARTMENT OF TRANSPORTATION**

**BEARING REPLACEMENT DETAILS AT EAST ABUTMENT  
 SN 080-0003**

SHEET NO. 1 OF 2 SHEETS

F.A. RTE.	SECTION	COUNTY	TOTAL SHEETS	SHEET NO.
99	(5-2VB-1, 5-2HB, 5-2VB-2)BR-2	RICHLAND	53	14
			CONTRACT NO. 74482	
ILLINOIS FED. AID PROJECT				