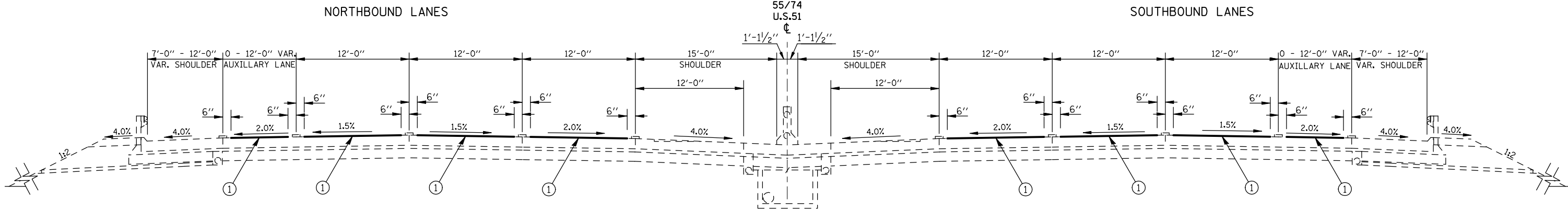


# PROPOSED TYPICAL CROSS SECTION ⑪

STATION ⑪ 495+57.00 TO STATION ⑫ 510+37.62

F.A.I.  
55/74  
U.S.51



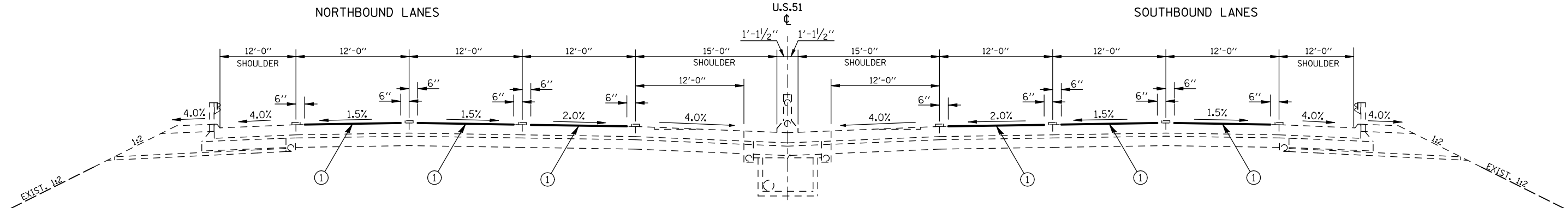
### LEGEND

① PAVEMENT GROOVING, SQ YD

# PROPOSED TYPICAL CROSS SECTION ⑫

STATION ⑪ 510+37.62 TO STATION ⑬ 519+67.95

F.A.I.  
55/74  
U.S.51



### LEGEND

① PAVEMENT GROOVING, SQ YD

• F.A.I. 55, F.A.I. 74, & U.S. 51

FILE NAME =	USER NAME = hoganbj	DESIGNED - ---	REVISED - ---	<b>STATE OF ILLINOIS DEPARTMENT OF TRANSPORTATION</b>	<b>PROPOSED TYPICAL SECTIONS</b>			F.A.I. RTE.:	SECTION	COUNTY	TOTAL SHEETS	SHEET NO.
ct:\pw\work\p\dot\hoganbj\d0249155\0570887-sht-typ10a1.CEL		DRAWN - ---	REVISED - ---						HSIP FY2011-3	MCLEAN	17	15
PLOT SCALE = 100.0000' / IN.		CHECKED - ---	REVISED - ---			SCALE: -----	SHEET NO. 6 OF 6 SHEETS	STA. ----- TO STA. -----	CONTRACT NO. 70887			
PLOT DATE = 2/1/2011		DATE - -----	REVISED - -----			ILLINOIS FED. AID PROJECT						