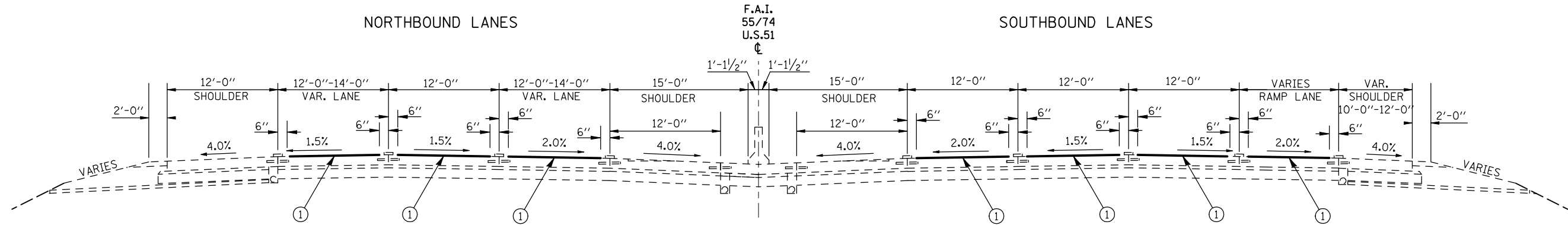


PROPOSED TYPICAL CROSS SECTION ③

STATION ② 416+94.15 TO STATION ④ 432+17.42

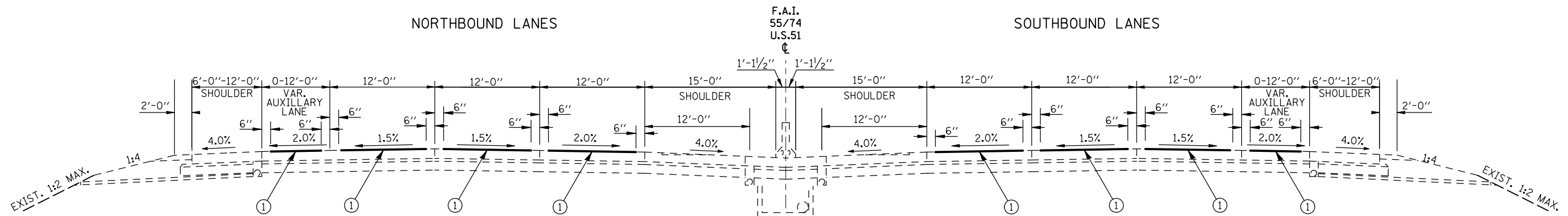


LEGEND

① PAVEMENT GROOVING, SQ YD

PROPOSED TYPICAL CROSS SECTION ④

STATION ③ SB 432+17.42 TO STATION ⑤ SB 450+17.42
 ③ NB 432+17.42 ⑤ NB 453+96.88



LEGEND

① PAVEMENT GROOVING, SQ YD

• F.A.I. 55, F.A.I. 74, & U.S. 51

FILE NAME =	USER NAME = hoganbj	DESIGNED -	REVISED -	STATE OF ILLINOIS DEPARTMENT OF TRANSPORTATION	PROPOSED TYPICAL SECTIONS	F.A.I. RTE.:	SECTION	COUNTY	TOTAL SHEETS	SHEET NO.
ct:\pw\work\p\dot\hoganbj\d0249155\0570887-sht-typ10a1.CEL		DRAWN -	REVISED -			•	HSIP FY2011-3	MCLEAN	17	11
PLOT SCALE = 100.0000' / IN.		CHECKED -	REVISED -							CONTRACT NO. 70887
PLOT DATE = 1/31/2011		DATE -	REVISED -		SCALE: -----		SHEET NO. 2 OF 6 SHEETS		STA. ----- TO STA. -----	ILLINOIS FED. AID PROJECT