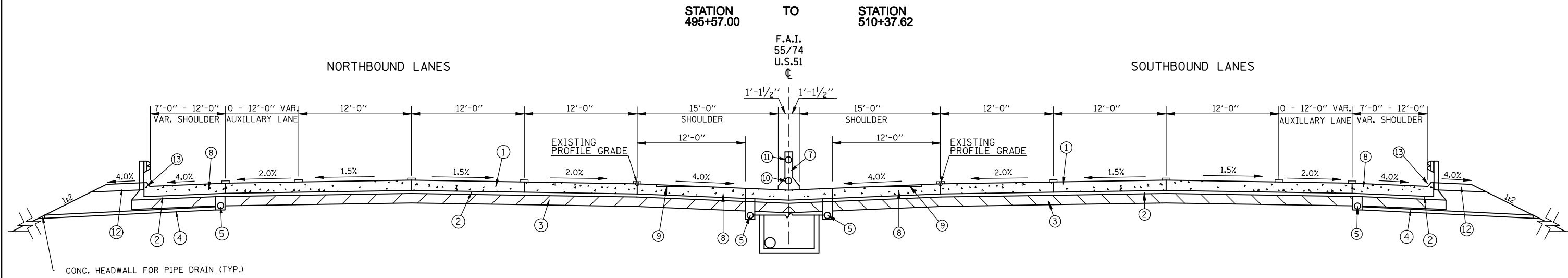
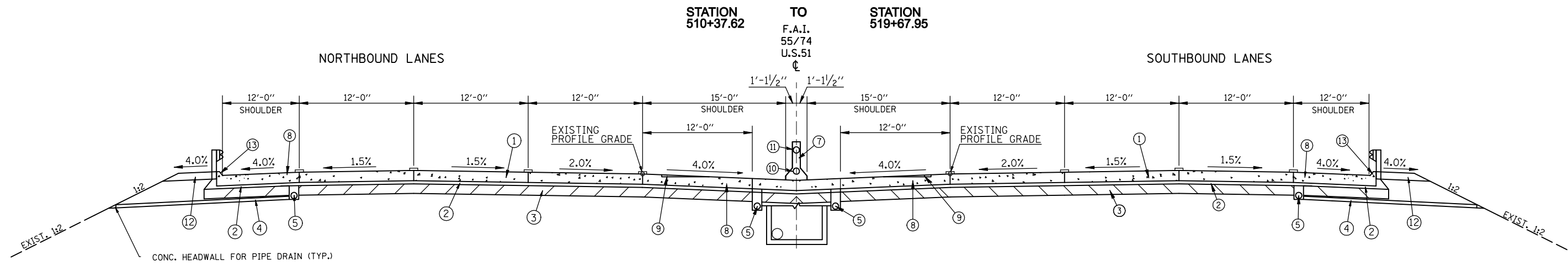


EXISTING TYPICAL CROSS SECTION 11



EXISTING TYPICAL CROSS SECTION 12



LEGEND

- | | | |
|--|--|--|
| <p>① EXISTING CONTINUOUSLY REINFORCED P.C.C. PAVEMENT 12 1/2"</p> <p>② EXISTING STABILIZED SUB-BASE 4"</p> <p>③ EXISTING PROCESSING LIME MODIFIED SOIL 12"</p> <p>④ EXISTING PIPE UNDERDRAIN 4" (SPECIAL)</p> <p>⑤ EXISTING PIPE UNDERDRAIN 4"</p> | <p>⑥ EXISTING AGGREGATE SHOULDER TYPE B, 6"</p> <p>⑦ EXISTING CONCRETE BARRIER</p> <p>⑧ EXISTING P.C.C. SHOULDER 12 1/2"</p> <p>⑨ EXISTING P.C.C. SHOULDER RUMBLE STRIP</p> <p>⑩ 4" P.V.C. EMBEDDED IN STRUCTURE</p> <p>⑪ 2" P.V.C. CONDUIT FOR LIGHTING</p> | <p>⑫ EXISTING HMA SHOULDER, 8"</p> <p>⑬ CONCRETE SHOULDER CURB</p> <p>⑭ EXISTING CONTINUOUSLY REINFORCED P.C.C. PAVEMENT 13 1/2"</p> <p>⑮ EXISTING P.C.C. SHOULDER 13 1/2"</p> |
|--|--|--|

NOTES

- ① LONGITUDINAL CONSTRUCTION JOINT WITH GROUTED-IN-PLACE TIE BAR STD 420001 TYPICAL FOR ALL LONGITUDINAL CONSTRUCTION JOINTS.

* F.A.I. 55, F.A.I. 74, & U.S. 51

FILE NAME =	USER NAME = hoganbj	DESIGNED - ---	REVISED - ---	STATE OF ILLINOIS DEPARTMENT OF TRANSPORTATION	EXISTING TYPICAL SECTIONS	F.A.I. RTE.:	SECTION	COUNTY	TOTAL SHEETS	SHEET NO.	
ct:\pwwork\pwwork\hoganbj\d0249155\0570887-sht-typ10a1.CEL	PLOT SCALE = 100.0000' / IN.	DRAWN - ---	REVISED - ---			•	HSIP FY2011-3	MCLEAN	17	9	
PLOT DATE = 2/1/2011	DATE - ---	CHECKED - ---	REVISED - ---			CONTRACT NO. 70887			ILLINOIS FED. AID PROJECT		
		DATE - ---	REVISED - ---			SCALE: -----	SHEET NO. 6 OF 6 SHEETS	STA. ----- TO STA. -----			