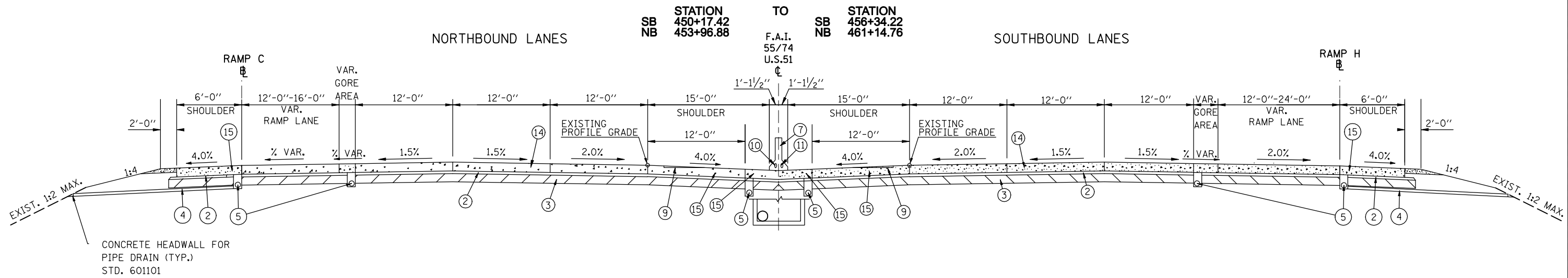
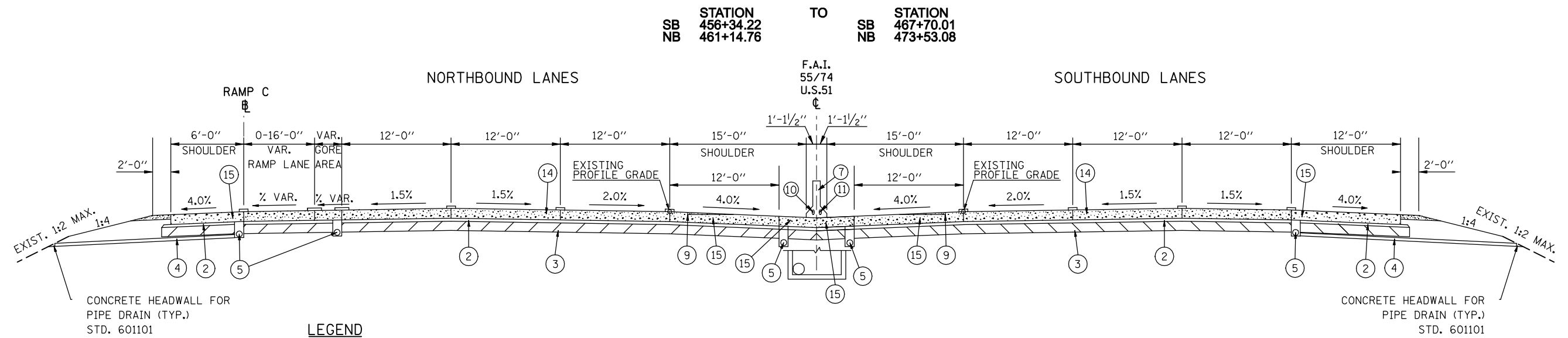


EXISTING TYPICAL CROSS SECTION ⑤



EXISTING TYPICAL CROSS SECTION ⑥



LEGEND

- | | | |
|--|--|--|
| ① EXISTING CONTINUOUSLY REINFORCED P.C.C. PAVEMENT 12 1/2" | ⑥ EXISTING AGGREGATE SHOULDER TYPE B, 6" | ⑫ EXISTING HMA SHOULDER, 8" |
| ② EXISTING STABILIZED SUB-BASE 4" | ⑦ EXISTING CONCRETE BARRIER | ⑬ CONCRETE SHOULDER CURB |
| ③ EXISTING PROCESSING LIME MODIFIED SOIL 12" | ⑧ EXISTING P.C.C. SHOULDER 12 1/2" | ⑭ EXISTING CONTINUOUSLY REINFORCED P.C.C. PAVEMENT 13 1/2" |
| ④ EXISTING PIPE UNDERDRAIN 4" (SPECIAL) | ⑨ EXISTING P.C.C. SHOULDER RUMBLE STRIP | ⑮ EXISTING P.C.C. SHOULDER 13 1/2" |
| ⑤ EXISTING PIPE UNDERDRAIN 4" | ⑩ 4" P.V.C. EMBEDDED IN STRUCTURE | |
| | ⑪ 2" P.V.C. CONDUIT FOR LIGHTING | |

NOTES

- ① LONGITUDINAL CONSTRUCTION JOINT WITH GROUTED-IN-PLACE TIE BAR STD 420001 TYPICAL FOR ALL LONGITUDINAL CONSTRUCTION JOINTS.

* F.A.I. 55, F.A.I. 74, & U.S. 51

FILE NAME =	USER NAME = hoganbj	DESIGNED - ---	REVISED - ---	STATE OF ILLINOIS DEPARTMENT OF TRANSPORTATION	EXISTING TYPICAL SECTIONS			F.A.I. RTE.:	SECTION	COUNTY	TOTAL SHEETS	SHEET NO.
et:\pwork\pwork\hoganbj\d0249155\0570887-sht-typical.CEL	PLOT SCALE = 100.0000' / IN.	CHECKED - ---	REVISED - ---		SCALE: -----	SHEET NO. 3 OF 6 SHEETS	STA. ----- TO STA. -----	•	HSIP FY2011-3	MCLEAN	17	6
PLOT DATE = 1/31/2011	DATE - -----	REVISED - ---	REVISED - ---					CONTRACT NO. 70887				
ILLINOIS FED. AID PROJECT												