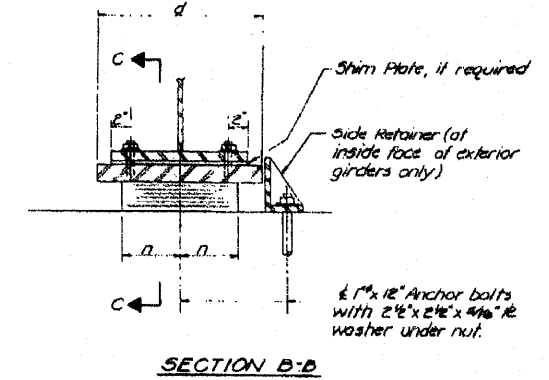
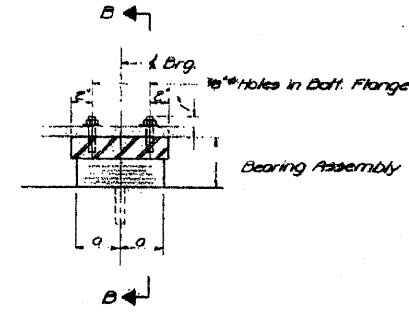
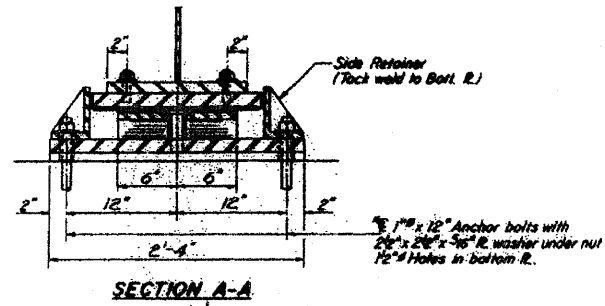
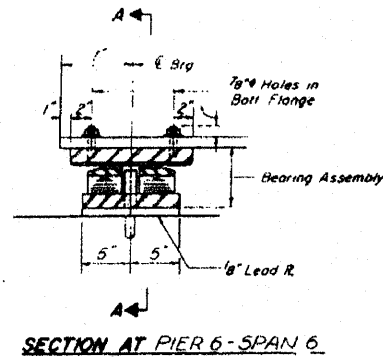


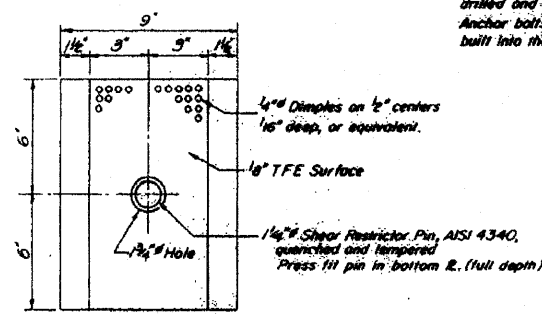
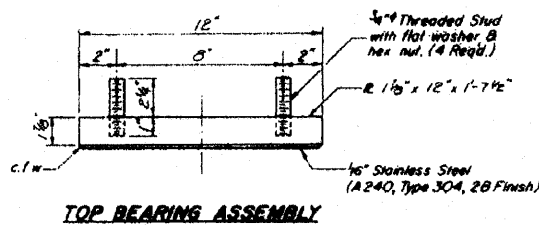
FOR INFORMATION ONLY

STATE OF ILLINOIS
DEPARTMENT OF TRANSPORTATION

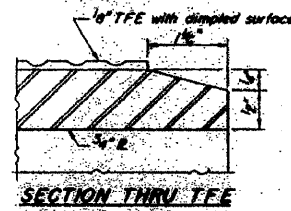
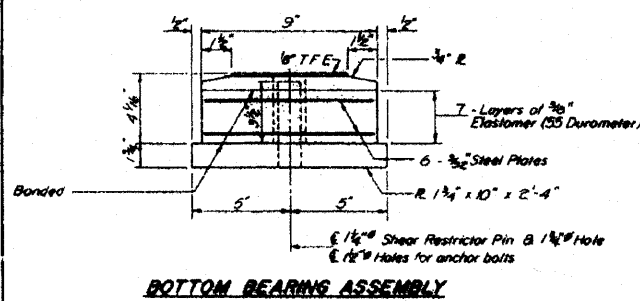
PROJECT NO.	DATE	DESIGNED BY	CHECKED BY	DRAWN BY	SHEET NO.	TOTAL SHEETS
401	11-18-80	Stephenson	JK	SG	19	35 SHEETS



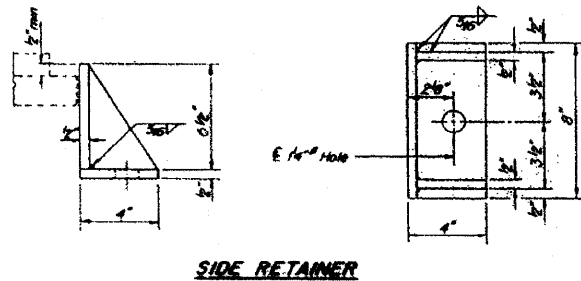
TYPE III ELASTOMERIC EXP. BRG. (M183 Plates)



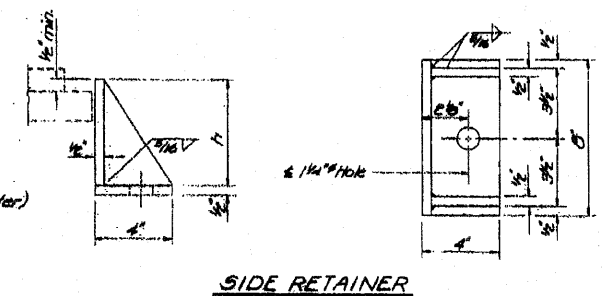
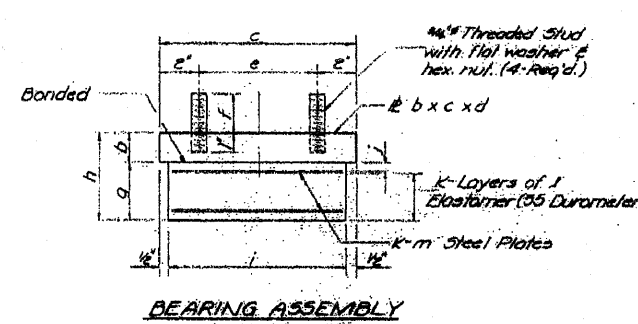
Note: After girders have been erected holes at expansion bearings shall be drilled and anchor bolts grouted in place. Anchor bolts of fixed bearings may be built into the masonry.



Note: The 1/2" TFE sheet shall be bonded directly to the top steel plate with a two-component, medium viscosity epoxy resin, conforming to the requirements of the Federal Specification MILM-A-134, Type I. The bond agent shall be applied on the full area of the contact surfaces. Bonding of 1/2" TFE sheet during vulcanizing process will be permitted provided the process and method of adjusting assembly height is approved by the Engineer.



TYPE I ELASTOMERIC EXP. BRG. (M183 Plates)



Note: Shim plates shall not be placed under Bearing Assembly.

TABLE OF TYPE I DIMENSIONS

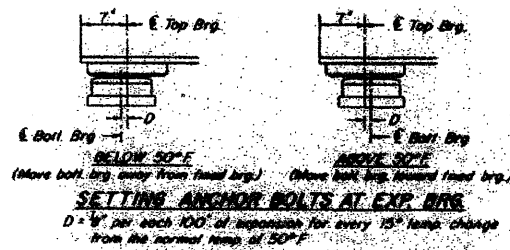
LOCATION	a	b	c	d	e	f	g	h	i	j	k	l	m	n
Pier 1	5 1/2	5 1/2	12	1 1/2	2 1/2	2 1/2	2 1/2	2 1/2	2 1/2	2 1/2	2 1/2	2 1/2	2 1/2	2 1/2
Pier 3	5 1/2	5 1/2	12	1 1/2	2 1/2	2 1/2	2 1/2	2 1/2	2 1/2	2 1/2	2 1/2	2 1/2	2 1/2	2 1/2
Pier 4	6	3 1/2	15	1 1/2	2 1/2	2 1/2	2 1/2	2 1/2	2 1/2	2 1/2	2 1/2	2 1/2	2 1/2	2 1/2
Pier 5	2 1/2	2 1/2	12	1 1/2	2 1/2	2 1/2	2 1/2	2 1/2	2 1/2	2 1/2	2 1/2	2 1/2	2 1/2	2 1/2
Pier 6 - Span 7	6	1 1/2	11	1 1/2	2 1/2	2 1/2	2 1/2	2 1/2	2 1/2	2 1/2	2 1/2	2 1/2	2 1/2	2 1/2
Pier 8	9	3 1/2	15	1 1/2	2 1/2	2 1/2	2 1/2	2 1/2	2 1/2	2 1/2	2 1/2	2 1/2	2 1/2	2 1/2
Pier 10	6 1/2	3 1/2	12	1 1/2	2 1/2	2 1/2	2 1/2	2 1/2	2 1/2	2 1/2	2 1/2	2 1/2	2 1/2	2 1/2

BILL OF MATERIAL

ITEM	UNIT	TOTAL
Elastomeric Bearing Assembly, Type I	Each	46
Elastomeric Bearing Assembly, Type III	Each	6

DESIGNED	DAN KRULL	EXAMINED	[Signature]
CHECKED	J. K.	PASSED	[Signature]
DRAWN	SG FERCHOW	APPROVED	[Signature]
CHECKED	J. K.		

I-2-E3 4.1.79



BEARING DETAILS
S.A. RT. 401 SEC. 177-40-1
STEPHENSON COUNTY
STATION 909+90.00

FILE NAME =	USER NAME = linkdj	DESIGNED -	REVISED -	STATE OF ILLINOIS DEPARTMENT OF TRANSPORTATION	Existing Bridge Plans Structure No. 089-0042	F.A. RTE. =	SECTION	COUNTY	TOTAL SHEETS	SHEET NO.
D:\BR\Brdge Painting\Contract\PAINTING\64088\PLAN\dgn		DRAWN -	REVISED -			var	D2 Bridge Painting 2011-2	various	25	22
PLOT SCALE = 50.0000 "/ IN.		CHECKED -	REVISED -							
PLOT DATE = Sat Jan 22 07:09:32 2011		DATE -	REVISED -			SCALE: _____	SHEET NO. _____ OF _____ SHEETS	STA. _____ TO STA. _____	CONTRACT NO. 64G88	
									ILLINOIS FED. AID PROJECT	