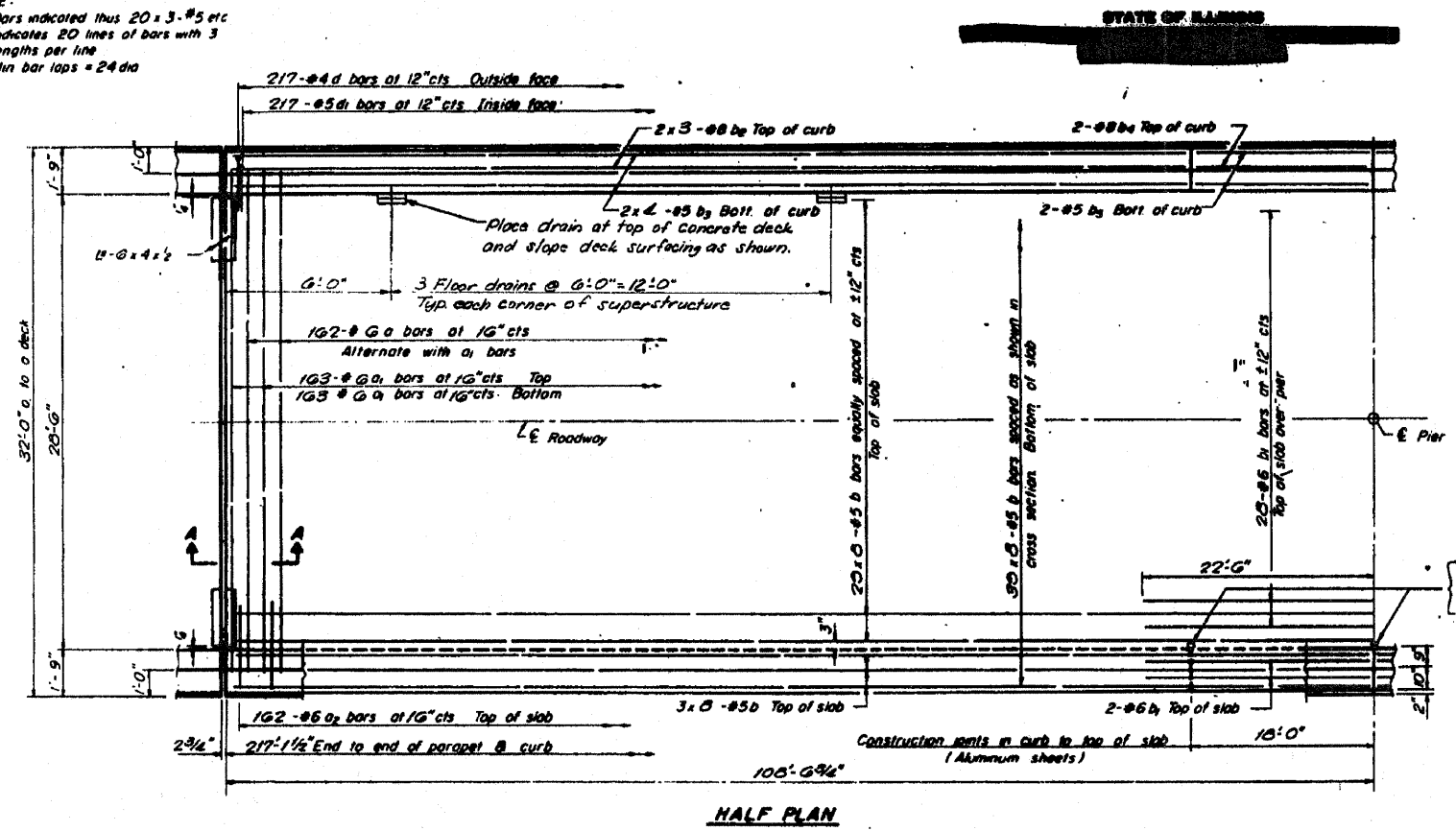
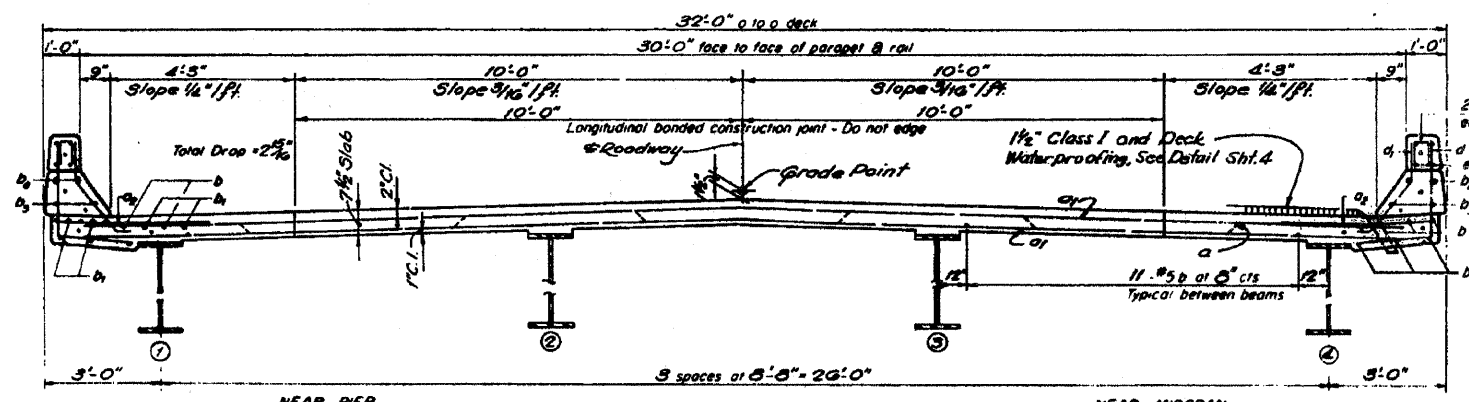


NOTE:
 Bars indicated thus 20 x 3-#5 etc
 indicates 20 lines of bars with 3
 lengths per line
 Min bar laps = 24 dia

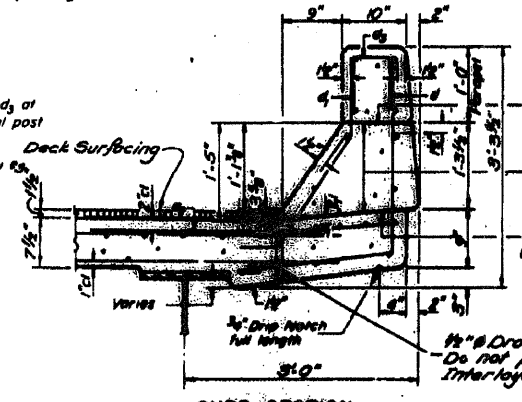


HALF PLAN



CROSS SECTION

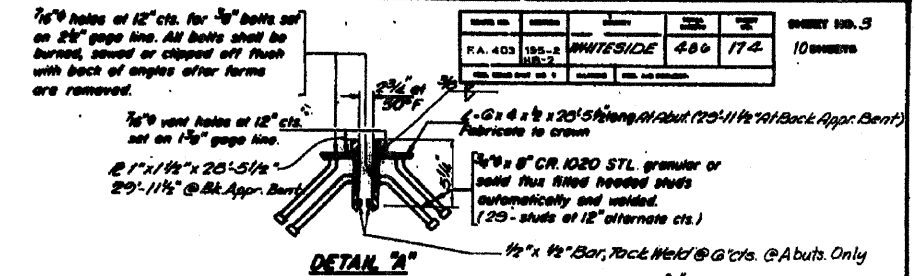
NOTE: For placement of bars d_1 and d_2 thru d_5 see sheet #5



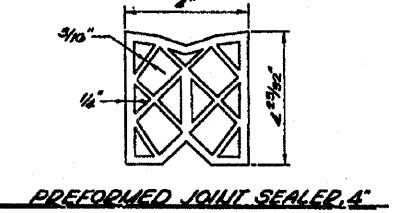
CURB SECTION

Cost of Aluminum and Drain shall be included in Class X Concrete.

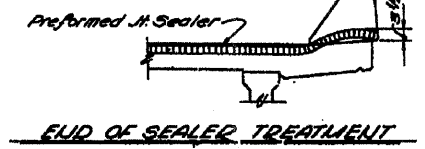
Parapet Reinforcement and Class X Concrete are listed on sheet #5



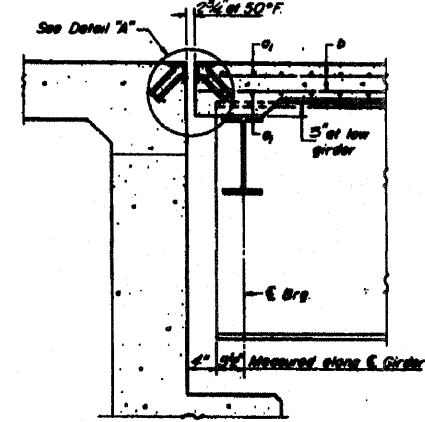
DETAIL 'A'



PREFORMED JOINT SEALER 'A'



END OF SEALER TREATMENT



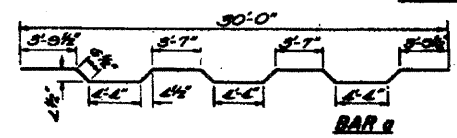
SECTION A-A

ALL OF MATERIAL

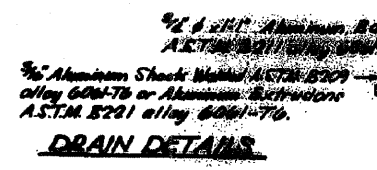
Bar	No.	Size	Length	Notes
1	102	#6	31'-0"	
2	370	#6	30'-0"	
3	324	#6	4'-0"	
4				
5	502	#5	20'-2"	
6	32	#6	45'-0"	
7	24	#6	31'-4"	
8	32	#6	39'-0"	
9	6	#6	17'-9"	
10	6	#5	17'-9"	
11	434	#6	4'-7"	
12	434	#5	3'-5"	
Reinforcement Bars				Lbs 21950
Class X Concrete				Cu. Yds 170.0

DESIGNED C. Glacy
 CHECKED S. Mck
 DRAWN V. Haley
 CHECKED S. Mck

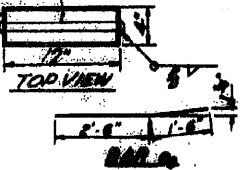
EXAMINED
 PASSED
 APPROVED



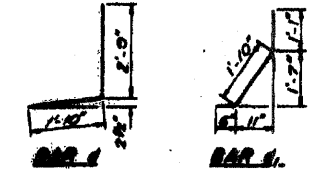
BAR S



DRAIN DETAILS



TOP VIEW



BAR 1

BAR 2

SUPERSTRUCTURE
JOINT DETAILS
 F.A.R.T.E. 408-SEC. 106-2HB-2
 WHITE SIDE COUNTY
 STATION 2027+60.41

FOR INFORMATION ONLY

FILE NAME = 0:\BR\Bridge Painting\Contracts\PAINTING\64028\PLA\eng.dgn	USER NAME = linkdj	DESIGNED -	REVISED -	STATE OF ILLINOIS DEPARTMENT OF TRANSPORTATION	Existing Plan & Cross-Section Structure No. 098-0072	F.A.I. RTE. 88	SECTION 02 Bridge Painting 2011-1	COUNTY Whiteside	TOTAL SHEETS 14	SHEET NO. 12	
PLOT SCALE = 50.0000' / IN.	CHECKED -	REVISED -	SCALE: _____			SHEET NO. _____ OF _____ SHEETS	STA. _____ TO STA. _____	CONTRACT NO. 64G28		ILLINOIS FED. AID PROJECT	
PLOT DATE = Sat Jan 22 06:48:00 2011	DATE -	REVISED -									