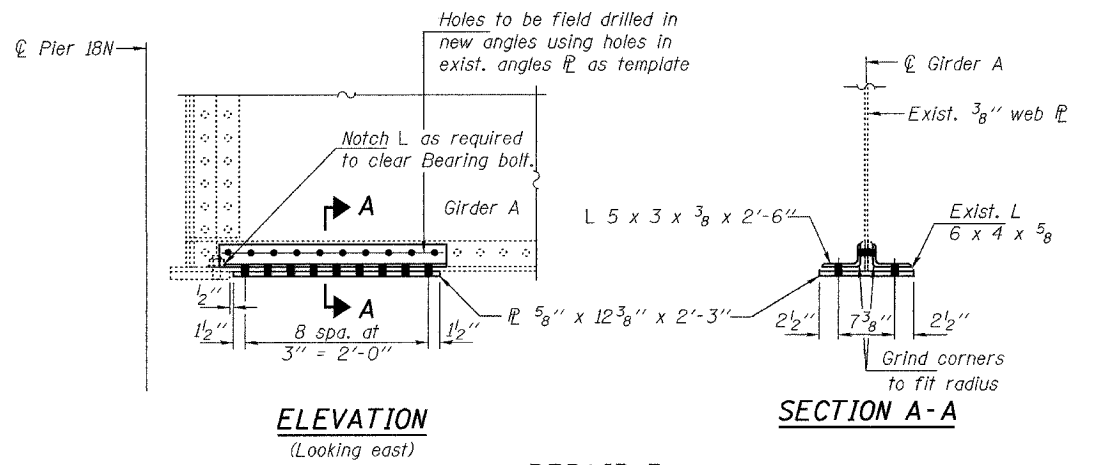


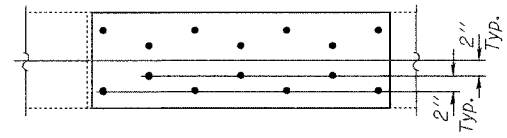
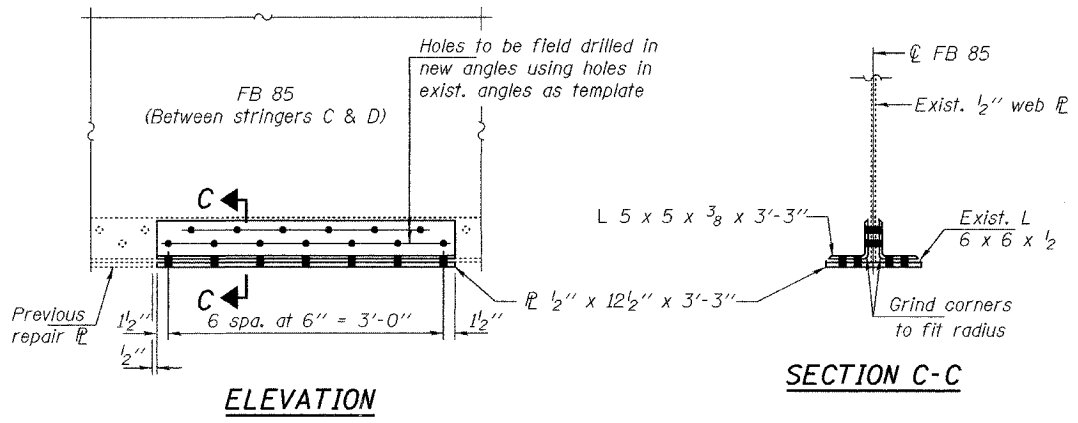
STATE OF ILLINOIS  
DEPARTMENT OF TRANSPORTATION

ROUTE NO.	SECTION	COUNTY	TOTAL SHEETS	SHEET NO.	SHEET NO. 10
FAS 944	*	ALEXANDER		13	13 SHEETS
FED. ROAD DIST. NO. 7	ILLINOIS	FED. AID PROJECT-			

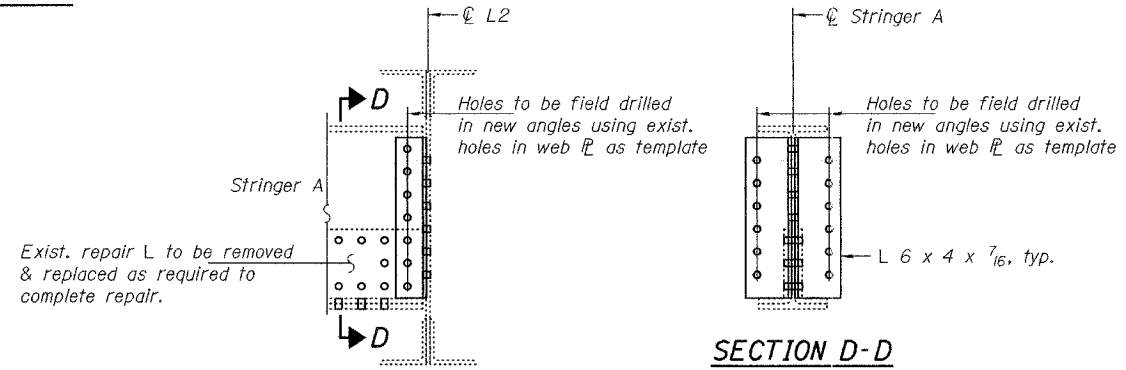
\* (138D-BR)1-5 Contract No. 98640



**REPAIR 3**

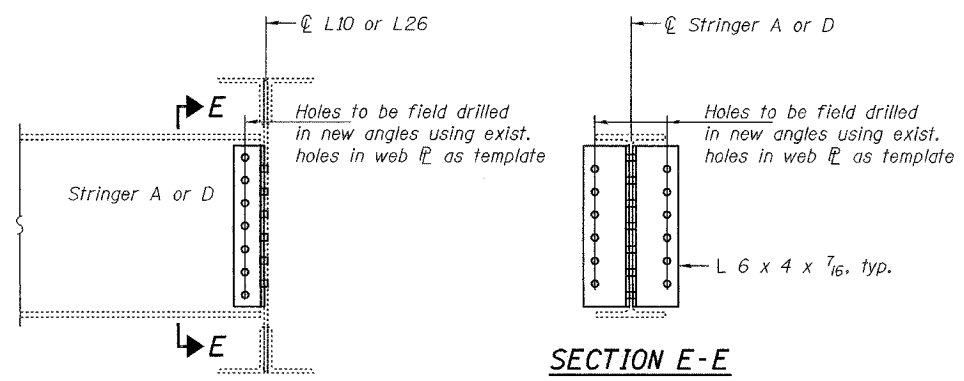


**FLOOR BEAM REPAIR  
(BOTTOM FLANGE REPAIRS)  
REPAIR 3**



**REPAIR 8**

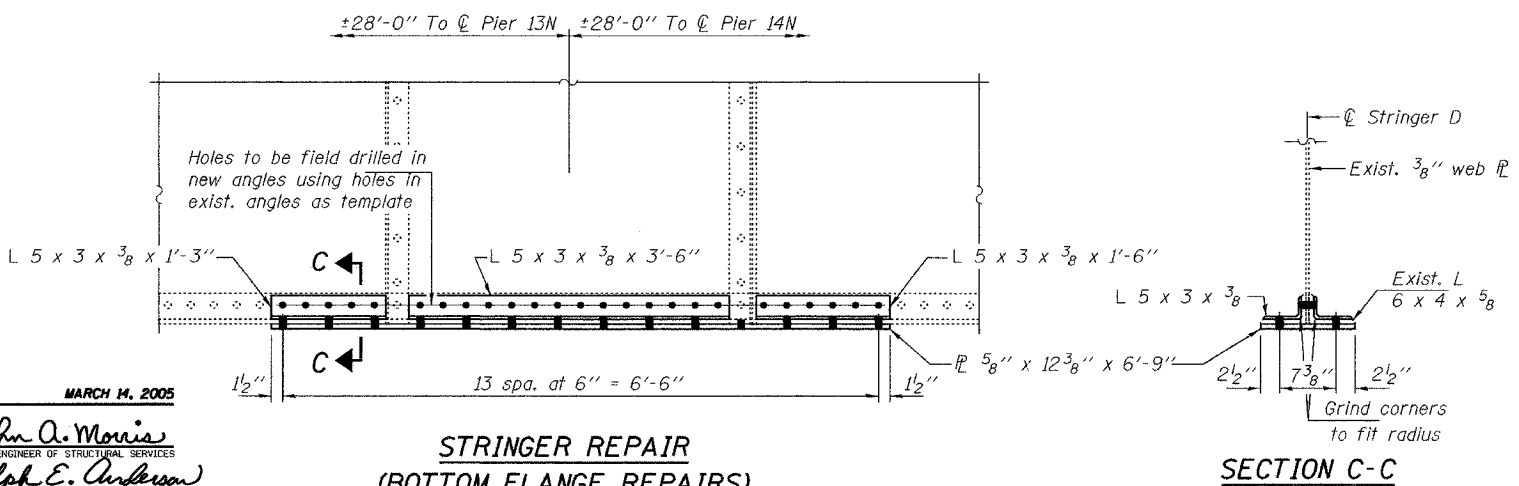
Note:  
Temporary shoring & cribbing  
of stringer end is required.



**REPAIR 8**

L10, Stringers A & D  
L26, Stringer D

Note:  
Temporary shoring & cribbing  
of stringer end is required.



**STRINGER REPAIR  
(BOTTOM FLANGE REPAIRS)  
REPAIR 3**

DESIGNED	DAB
CHECKED	JSB
DRAWN	baliva
CHECKED	DAB JSB

MARCH 14, 2005  
EXAMINED *John A. Morris*  
ENGINEER OF STRUCTURAL SERVICES  
PASSED *Ralph E. Anderson*  
ENGINEER OF BRIDGES AND STRUCTURES

**BRIDGE REPAIRS  
OLD CAIRO BRIDGE OVER MISSISSIPPI RIVER  
FAS RTE. 944 (US 60 & 62)  
SEC. (138D-BR)1-5  
ALEXANDER COUNTY  
SN 002-0005**